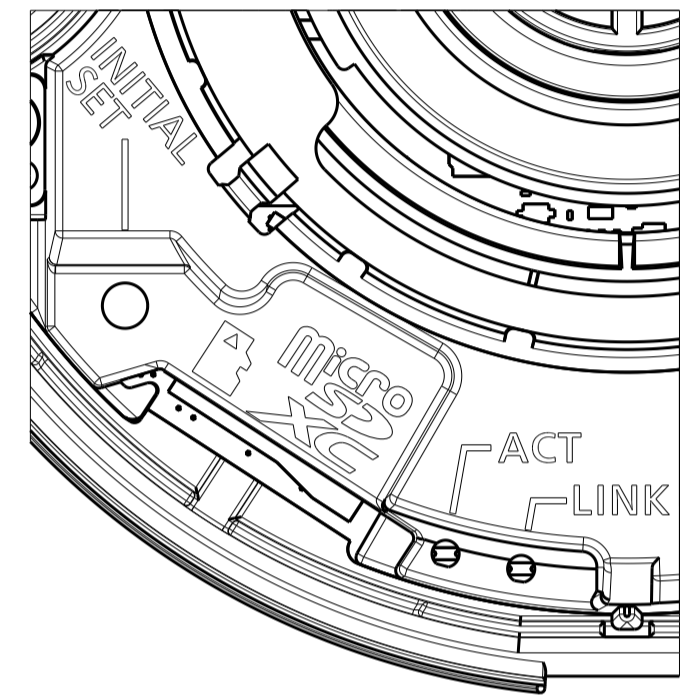


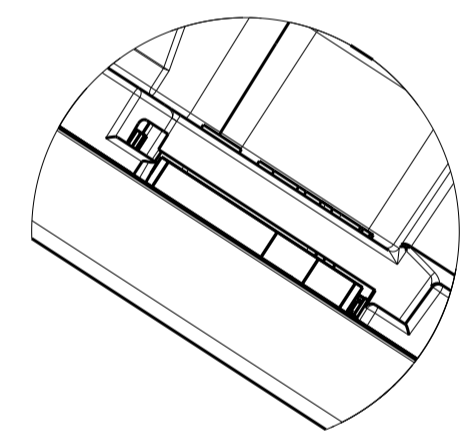
**Template for mounting**

Mass : Approx. 250 g {0.55 lbs}

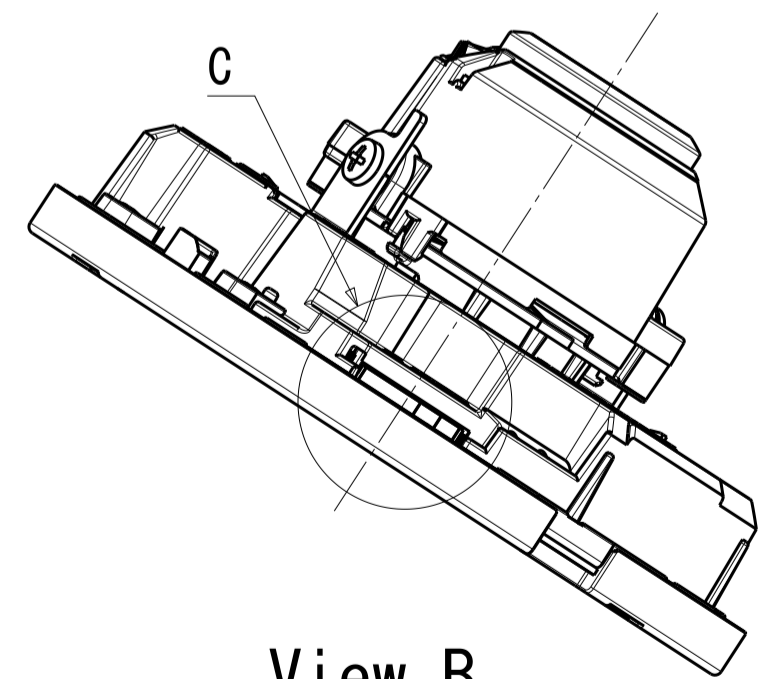
WV-U2130LA



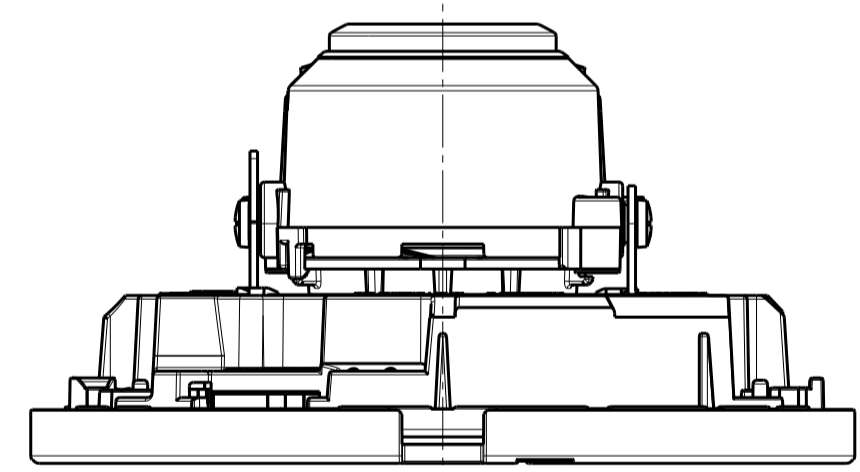
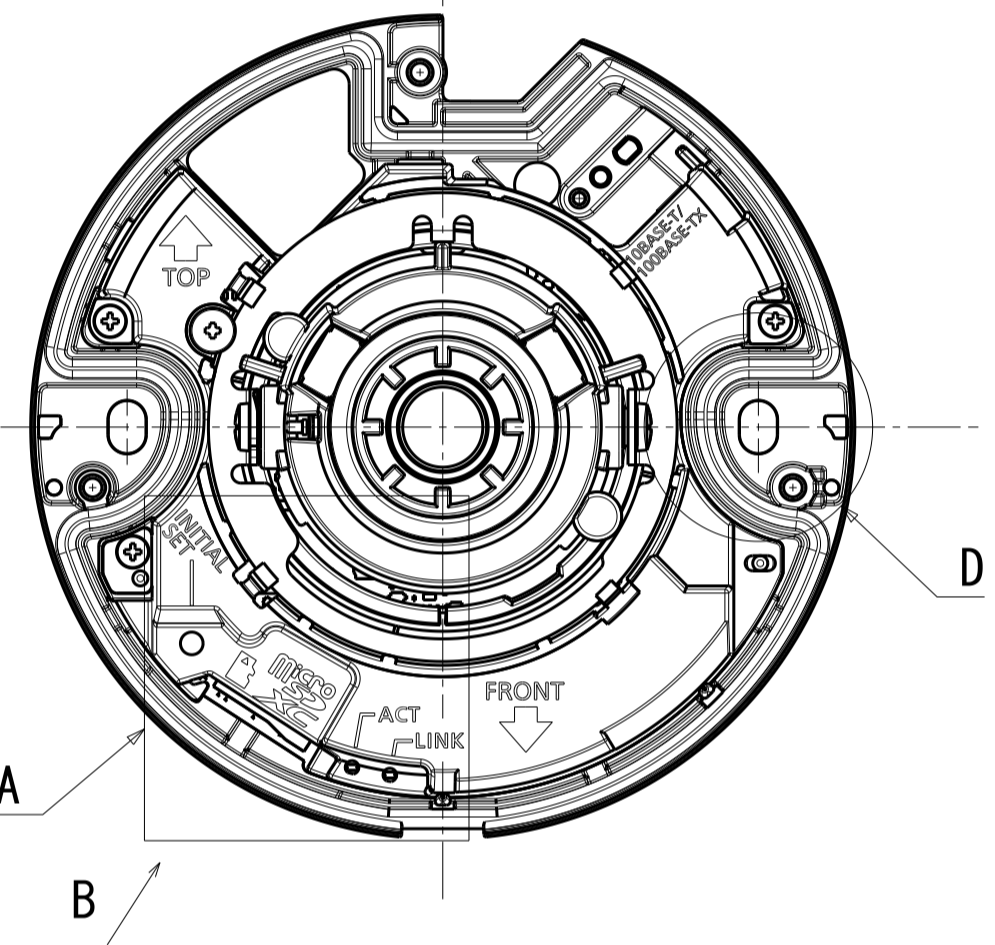
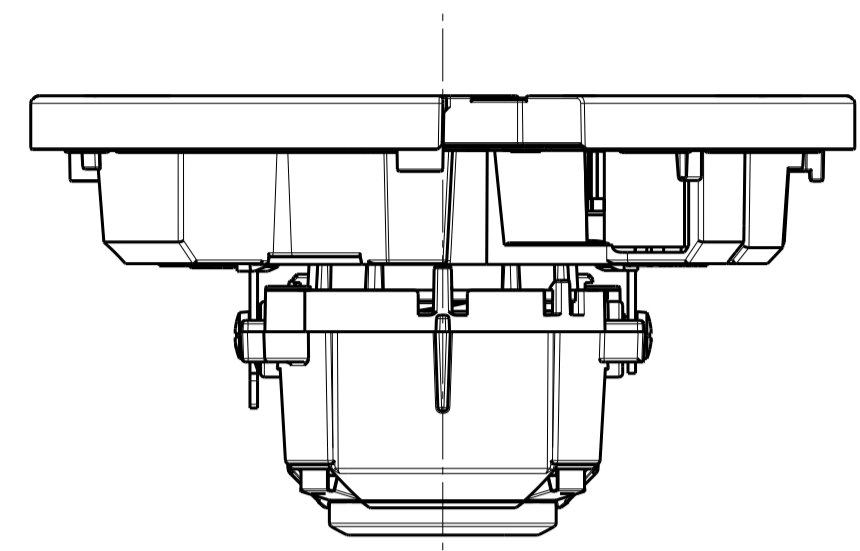
Detail A (2:1)



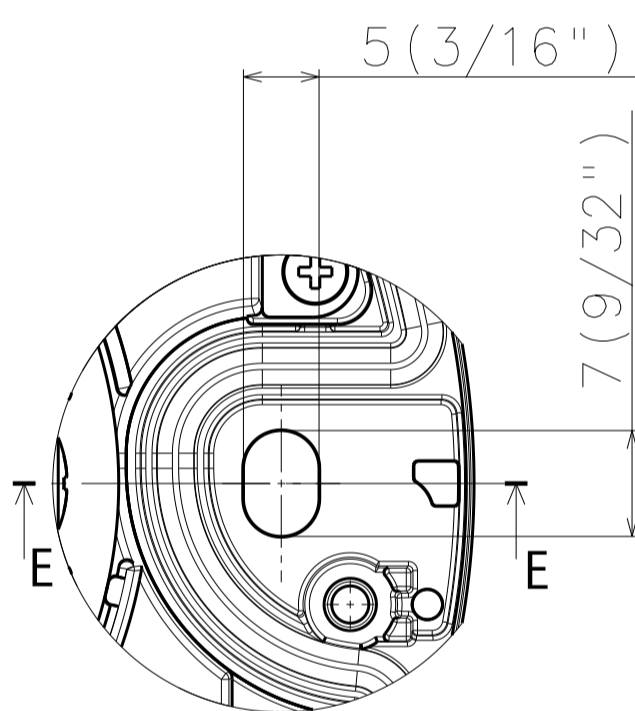
Detail C (2:1)



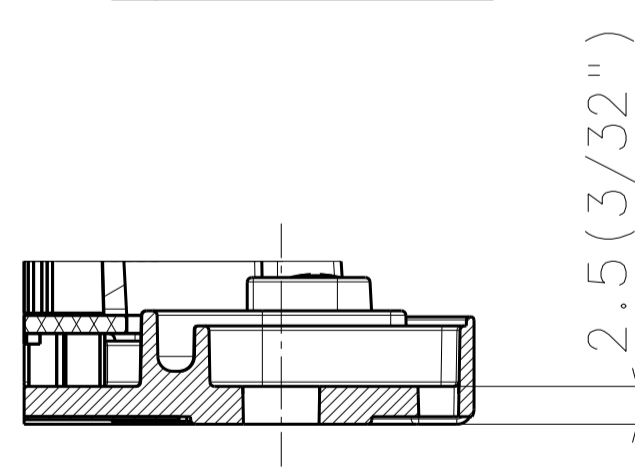
View B



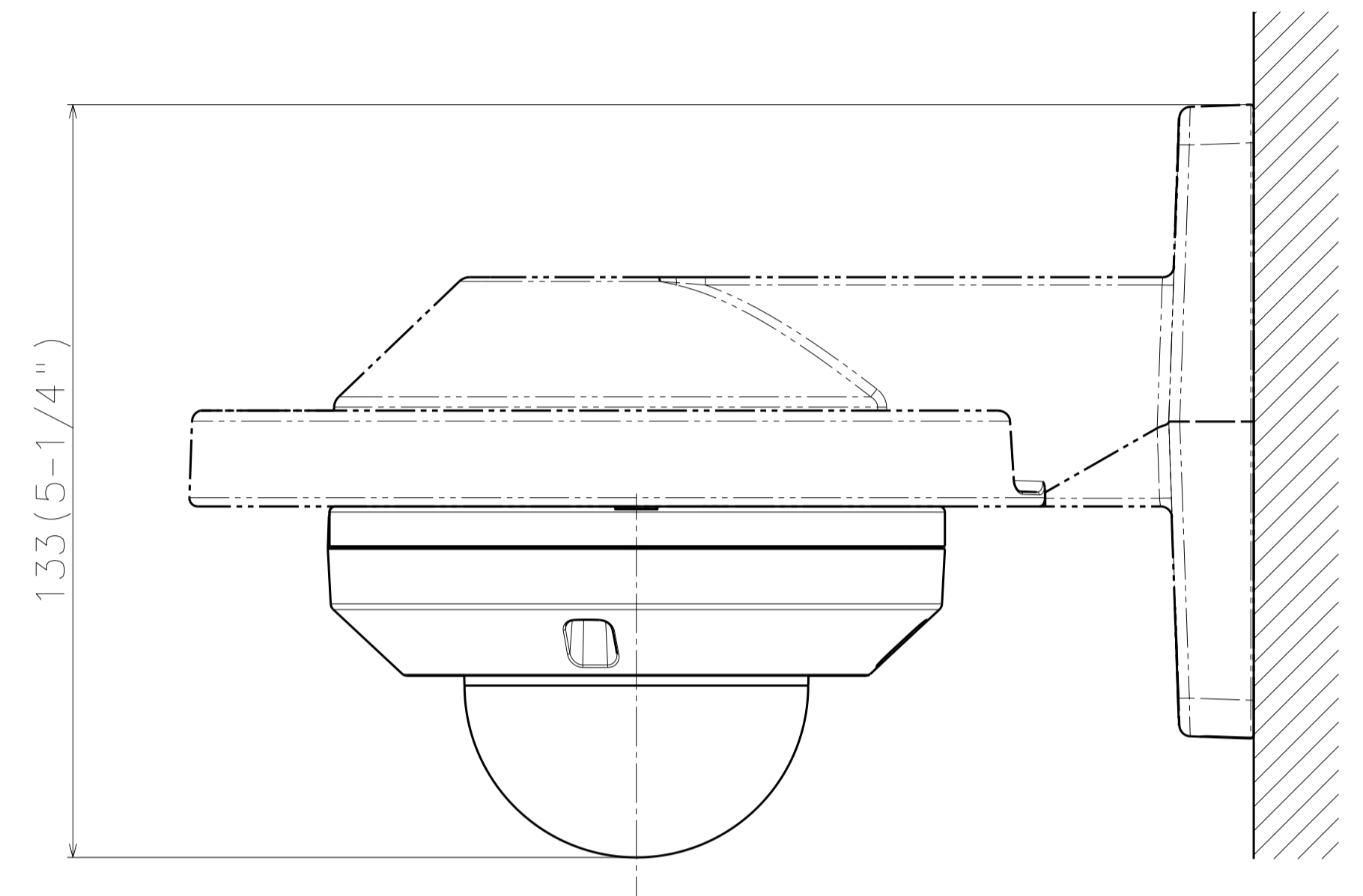
Without Enclosure



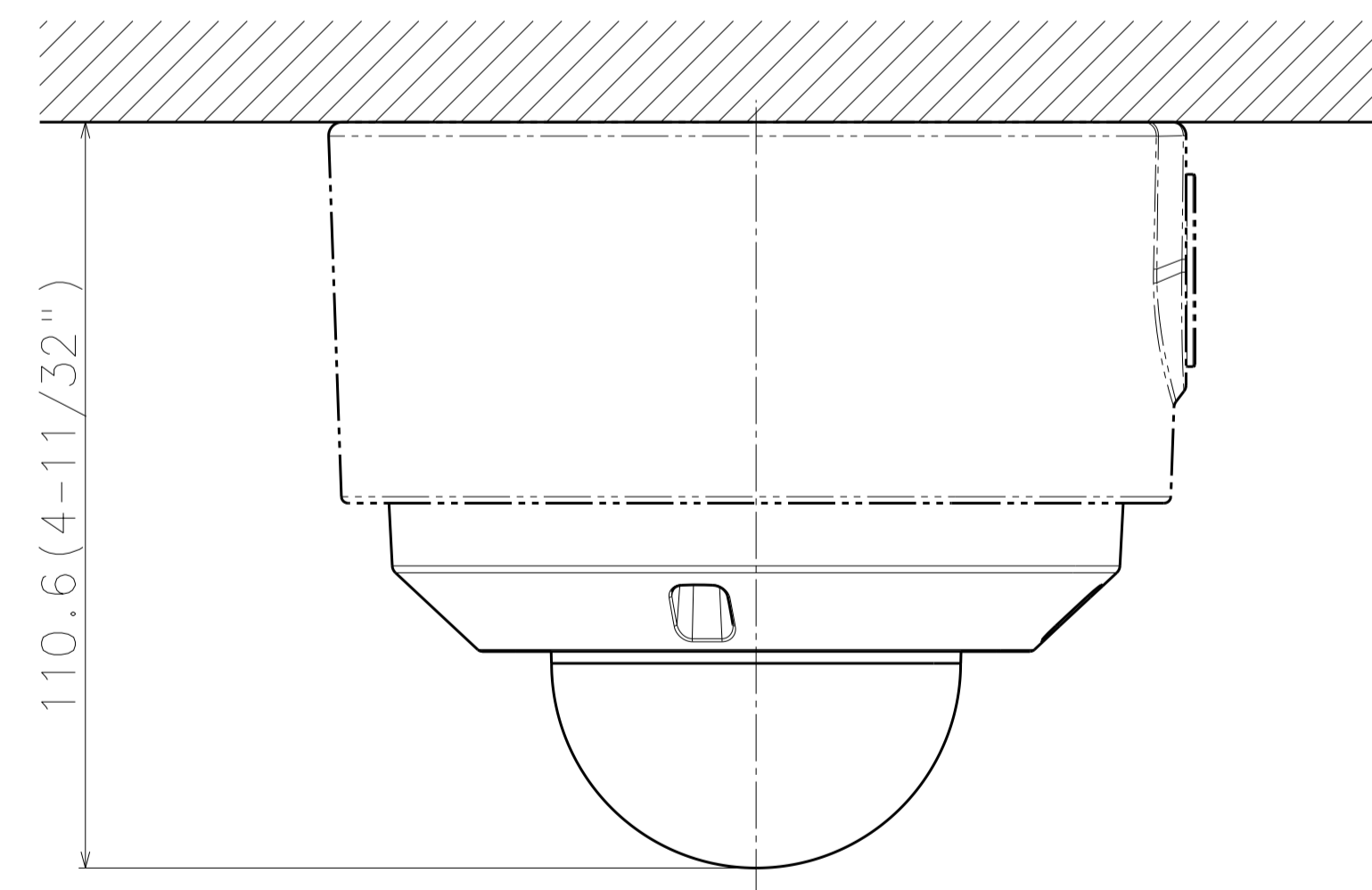
Detail D (2:1)  
Symmetrical



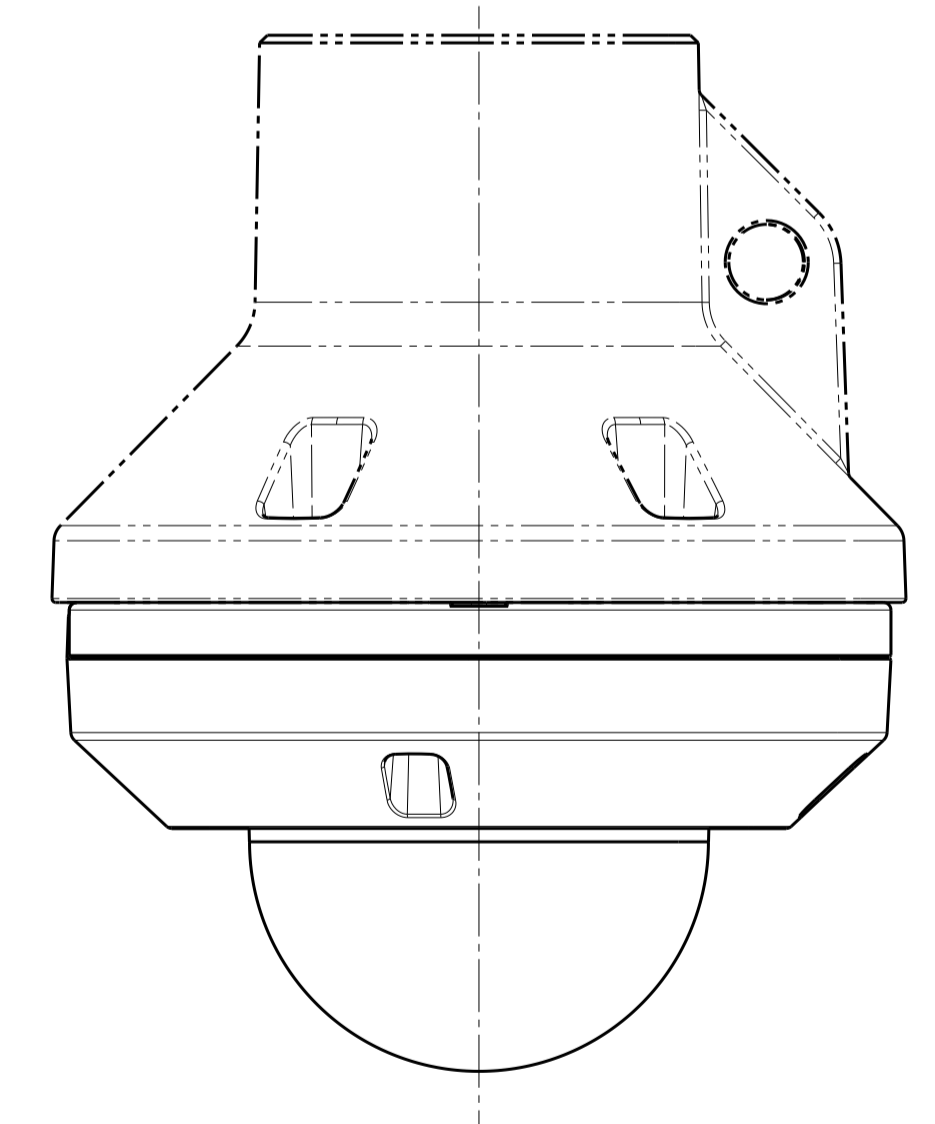
Sec E-E (2:1)  
Symmetrical



Attach to WV-QWL500-W



Attach to WV-QJB502-W



Attach to WV-QCL100-W