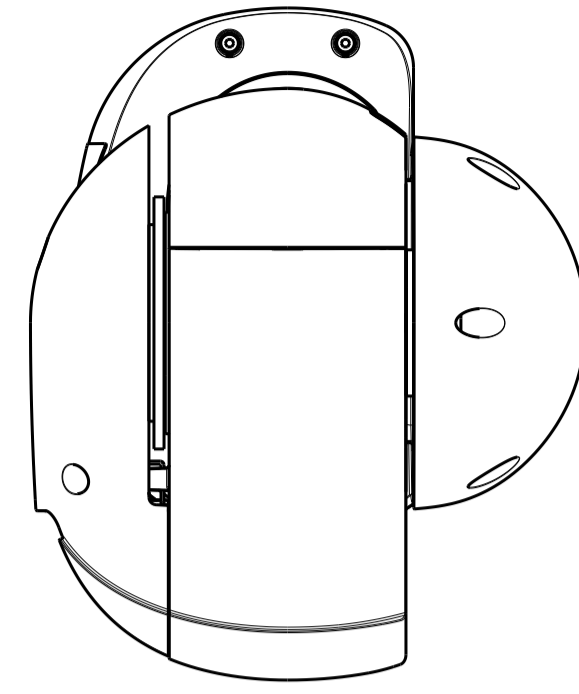


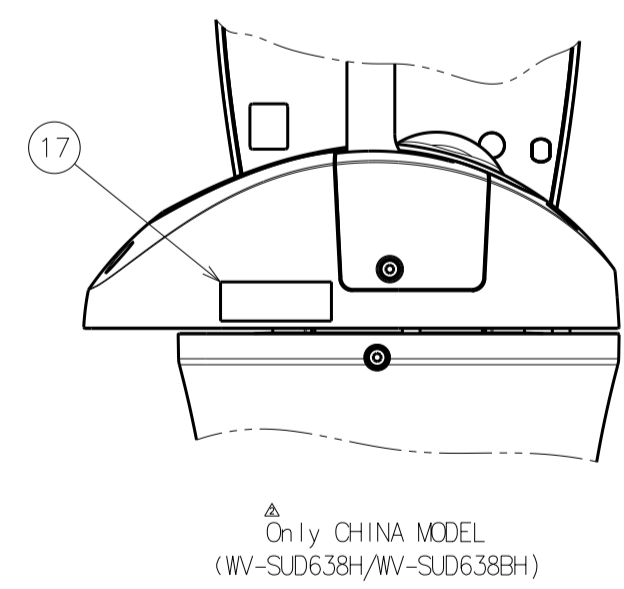
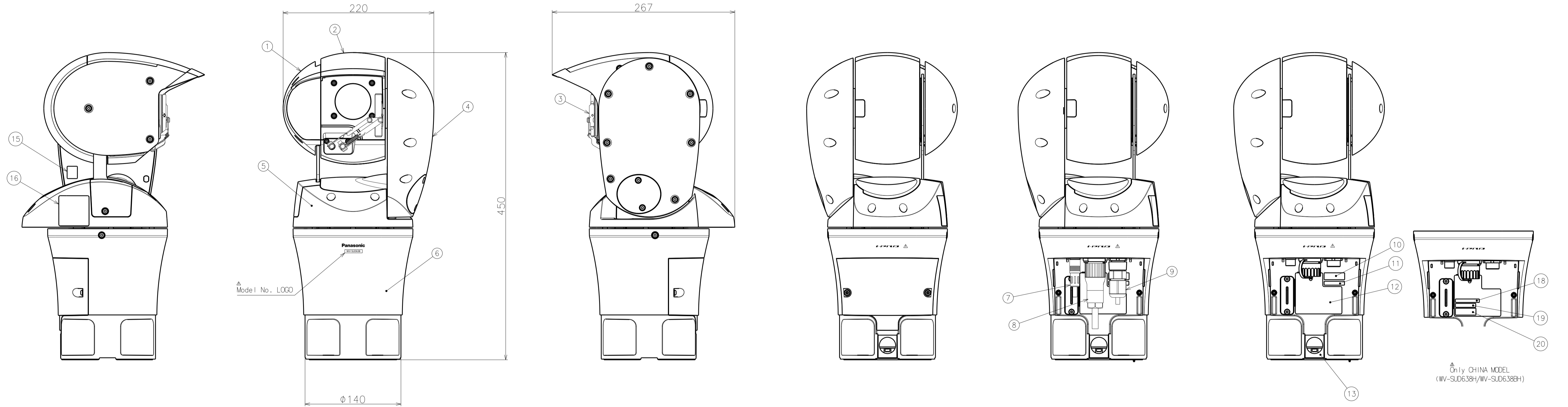
WV-SUD638 APPEARANCE



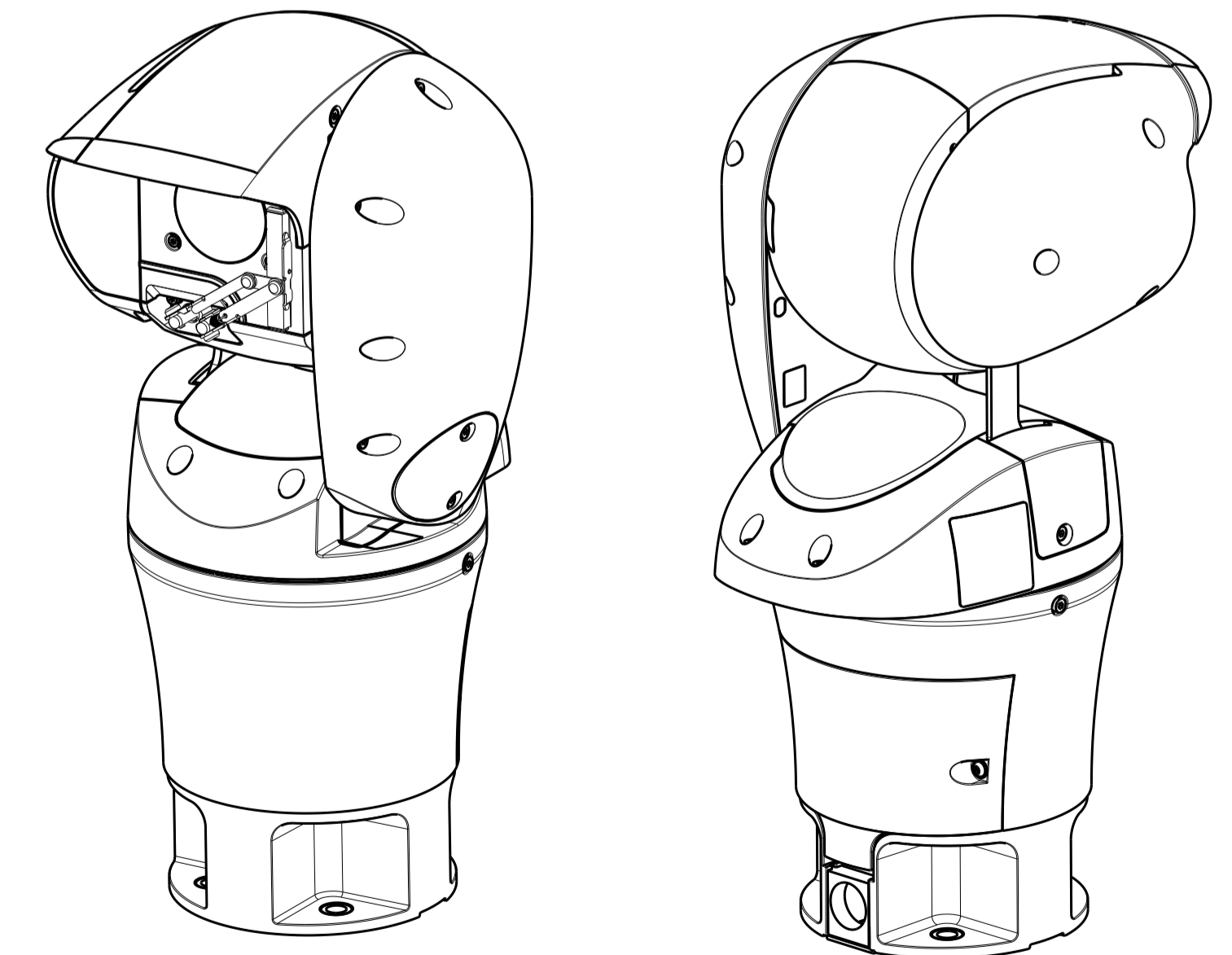
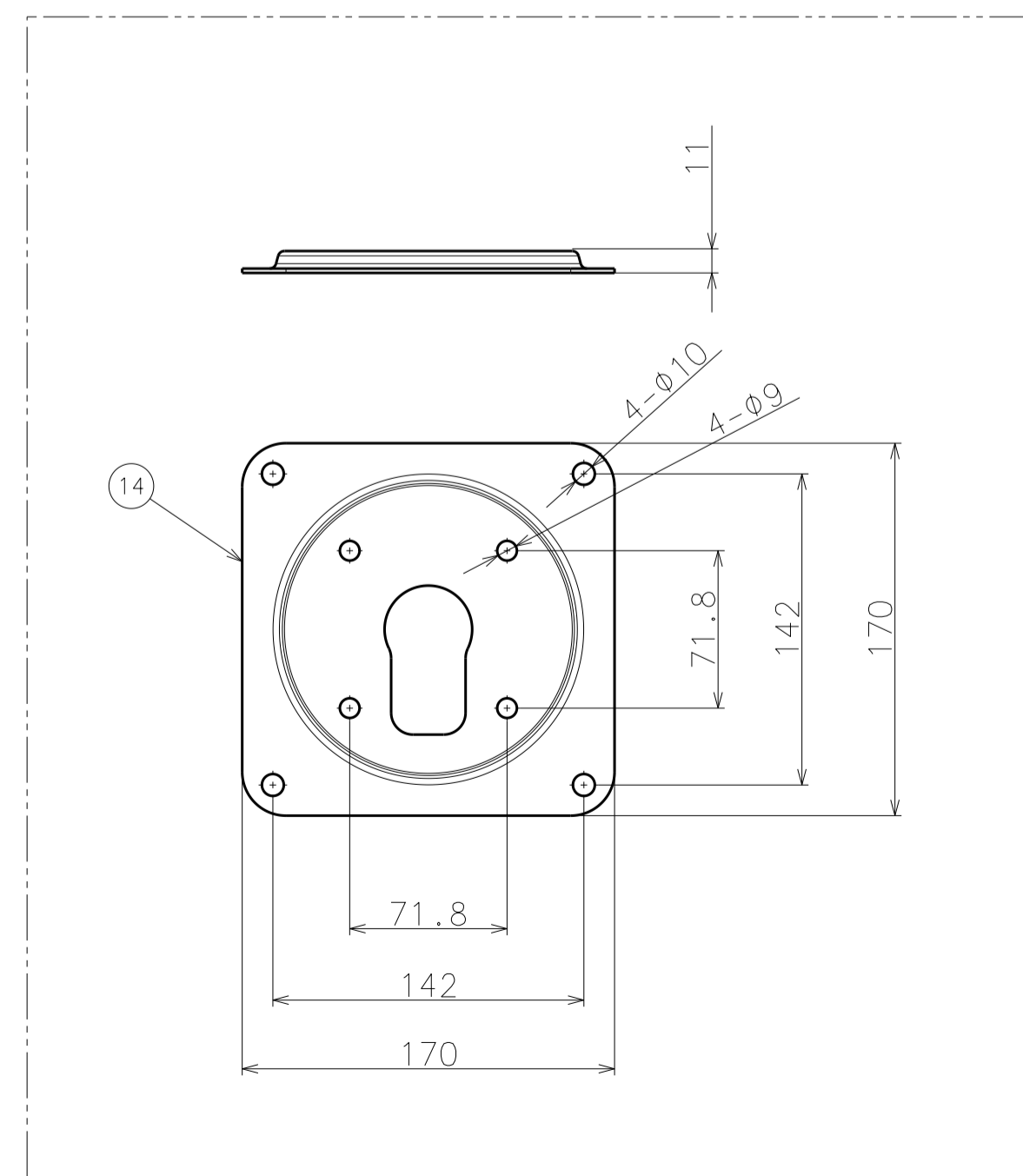
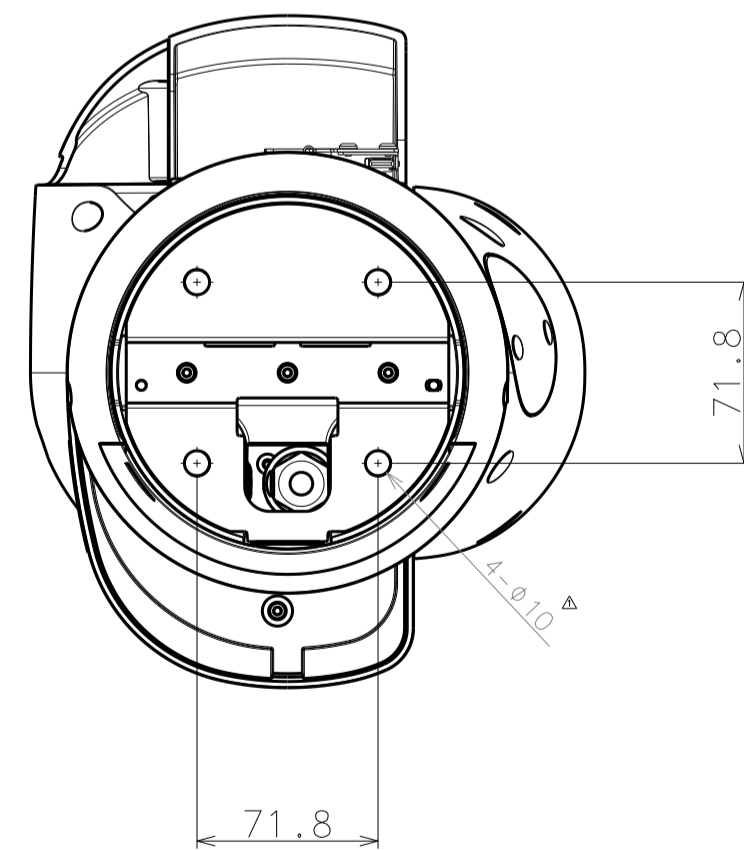
製品品番	製品色	品番ロゴ
WV-SUD638	シルバー	WV-SUD638
WV-SUD638PJ		
WV-SUD638-T		
WV-SUD638-H		
WV-SUD638H	N7グレー	WV-SUD638B
WV-SUD638B		
WV-SUD638BH		

Model	Color	Model No. LOGO
WV-SUD638	Silver	WV-SUD638
WV-SUD638PJ		
WV-SUD638-T	Brown (Environment color)	WV-SUD638
WV-SUD638-H		
WV-SUD638H	Silver	WV-SUD638B
WV-SUD638B		
WV-SUD638BH		

No.	Part name	Material	Process-Remark
1	OPTION DUMMY		
2	CAMERA UNIT		
3	WIPER UNIT		
4	TILT UNIT		
5	PAN UNIT		
6	PEDESTAL UNIT		
7	EXT I/O Cable		
8	AC-CONNECTOR Eco-mate-Plug		
9	PoE-CONNECTOR_A-LTW-Plug		
10	MAC ADDRESS LABEL	Polyester Film	Printing
11	SERIAL No. LABEL	Polyester Film	Printing
12	MAIN NAME PLATE	Polyester Film	Printing
13	CABLE-BRACKET		
14	BOTTOM-PLATE	SUS PLATE	
15	CAUTION LABEL	Polyester Film	Printing
16	IR CAUTION LABEL	Polyester Film	Printing
17	IR CAUTION LABEL CHINA	Polyester Film	Printing
18	Production Date Label	Polyester Film	Printing
19	SERIAL No. LABEL	Polyester Film	Printing
20	MAC ADDRESS LABEL	Polyester Film	Printing



△ Only CHINA MODEL
(WV-SUD638H/WV-SUD638BH)

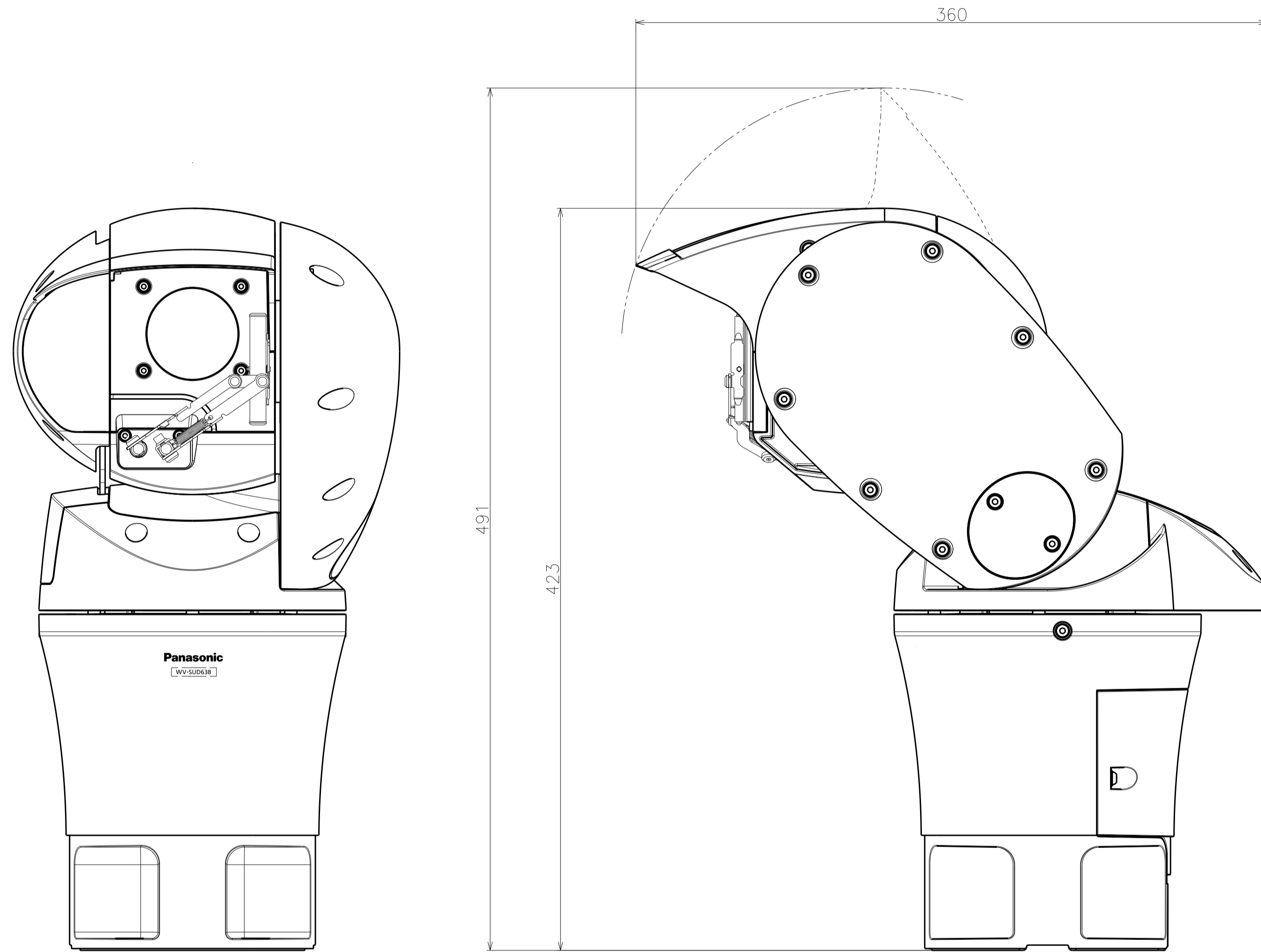


△	
	投影面積/Projected area (直立/Upright)
平面図/Top-view	0.073(m ²)
側面図/Side-view	0.071(m ²)

WV-SUD638 APPEARANCE

△

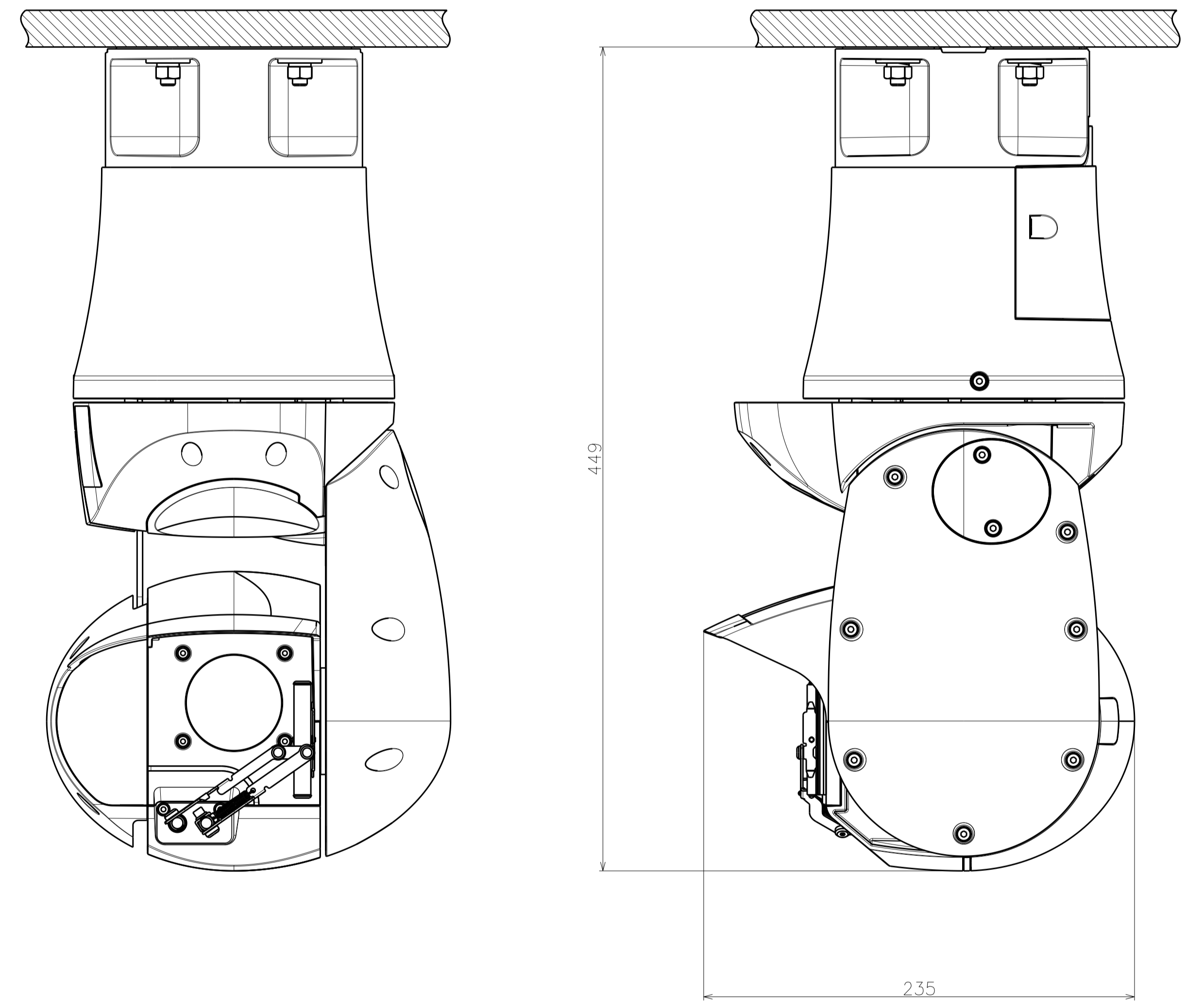
前傾時



	投影面積/Projected area (前傾/Forward tilt)
平面図/Top-view	0.071 (㎡)
側面図/Side-view	0.072 (㎡)

△

吊り下げ時



	投影面積/Projected area (吊り下げ/Hanging)
平面図/Top-view	0.073 (㎡)
側面図/Side-view	0.07 (㎡)