

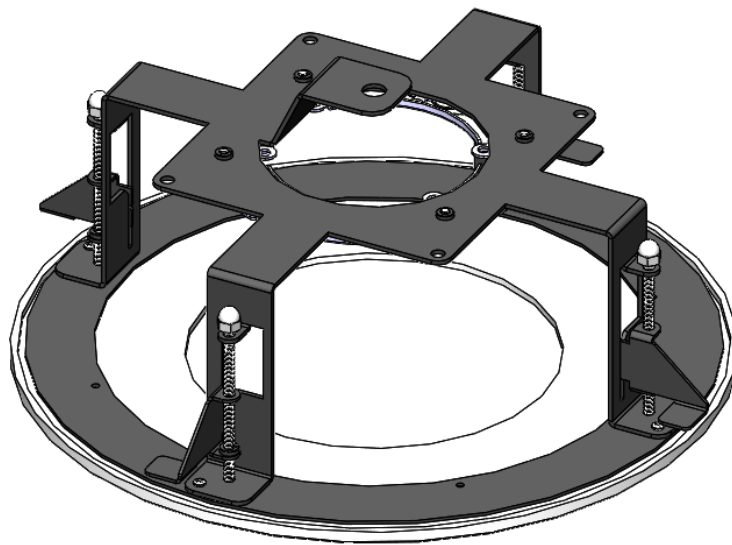
INSTALLATION INSTRUCTIONS

Before attempting to connect or operate this product, please read instructions completely. Installation and Operation Instructions for the following model:

PRCM8

Recessed Ceiling Mount Bracket for use with i-PRO WV-X8570N / S8530N

PRCM8



INCLUDED HARDWARE

- (1) Recessed Ceiling Mount Bracket
- (1) Trim Ring
- (2) #8-32 x 5/16", #2 Phillips Double SEMS Screw
- (4) M4 x 7mm x .25", #2 Phillips Screw
- (2) 1/32" O.D. Safety Tethers
- (1) Cut Template
- (1) Installation Instructions (This document)

ADDITIONAL ITEMS (NOT INCLUDED)

- (1) Anchor Bolt (3/8"-16)
- (2) Hex Nut (3/8"-16)

Distributed by:

Panasonic i-PRO Sensing Solutions Corporation of America

800 Gessner Rd, Suite 700 Houston, TX 77024
<https://www.security.us.panasonic.com/>

IMPORTANT SAFEGUARDS

1. Read Instructions - All the safety and operating instructions should be read before the unit is operated.
2. Retain Instructions - The safety and operating instructions should be retained for future reference.
3. Heed Warnings - All warnings on the unit and in the operating instructions should be adhered to.
4. Follow Instructions - All operating and user instructions should be followed.
5. Electrical Connections - Only a qualified electrician should make electrical connections.
6. Attachments - Do not use attachments not recommended by the product manufacturer as they may cause hazards.
7. Cable Runs - All cable runs must be within permissible distance.
8. Mounting - This unit must be properly and securely mounted to a supporting structure capable of sustaining the weight of the unit.

Accordingly:

The installation should be made by a qualified installer.

The installation should be in compliance with local codes.

Care should be exercised to select suitable hardware to install the unit, taking into account both the composition of the mounting surface and the weight of the unit.

Be sure to periodically examine the unit and the supporting structure to make sure that the integrity of the installation is intact. Failure to comply with the foregoing could result in the unit separating from the support structure and falling, with resultant damages or injury to anyone or anything struck by the falling unit.

PRECAUTIONS FOR INSTALLATION

■ This product is designed to be used indoors.

This product is not operable outdoors. Do not expose this product to direct sunlight for hours and do not install the product near a heater or an air conditioner.

■ Do not place this product in the following places:

- Locations where it may get wet from rain or water splash (including under the eaves, etc.)
- Locations where a chemical agent is used such as a swimming pool
- Locations subject to moisture and oil smoke such as a kitchen
- Locations that have a specific environment that is subject to an inflammable atmosphere or solvents
- Locations where a radiation, an X-ray, a strong radio wave or a strong magnetic field is generated
- Locations where corrosive gas is produced, locations where it may be damaged by briny air such as seashores
- Locations where the temperature is not within the specified range (–50 °C to +60 °C {-58 °F to 140 °F})
- Locations subject to vibrations, such as on vehicles, marine vessels, or above product lines (This product is not designed for on-vehicle use.)
- Locations subject to condensation as the result of severe changes in temperature

■ Procure anchor bolts (M10, recommended) separately.

Prepare anchor bolts according to the material and strength of the area where the product is to be installed. The pull-out strength of the anchor bolt shall be more than 5 times of the total weight of the installed devices (including the camera body, ceiling mount bracket, anchor bolts, and all other parts).

■ Tightening the screws and bolts

- The screws and bolts must be tightened with an appropriate tightening torque according to the material and strength of the installation area.
- Do not use an impact driver. Use of an impact driver may damage the screws or cause tightening excessively.

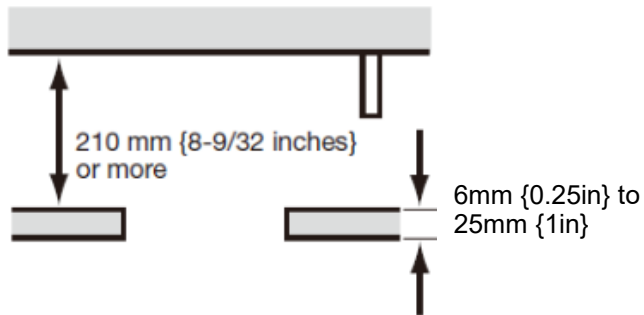
TECHNICAL SUPPORT

For Technical Support
Support.h@us.panasonic.com
1-800-513-5417
(M-F 7:00 am—7:00 pm Central Time)

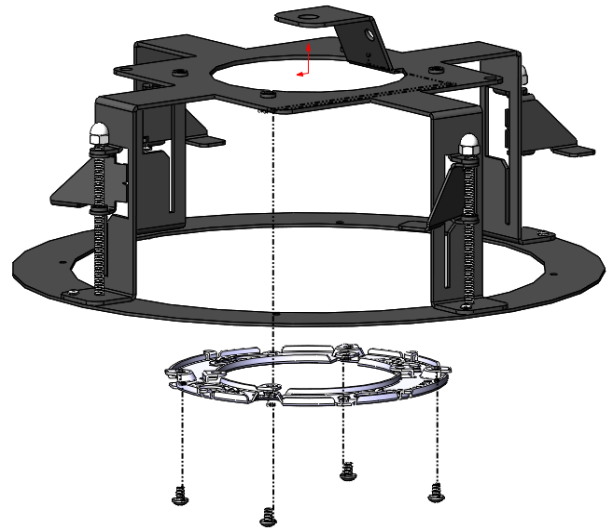
Installation area for this product

Make sure that the installation area is strong enough to hold the total weight of the camera assembly before installation.

- The installation area shall have 210 mm {8 9/32 inches} or more space behind the ceiling.
- The thickness of the ceiling board for installation can range between 6 mm {0.25 inches} and 25 mm {1 inches}.

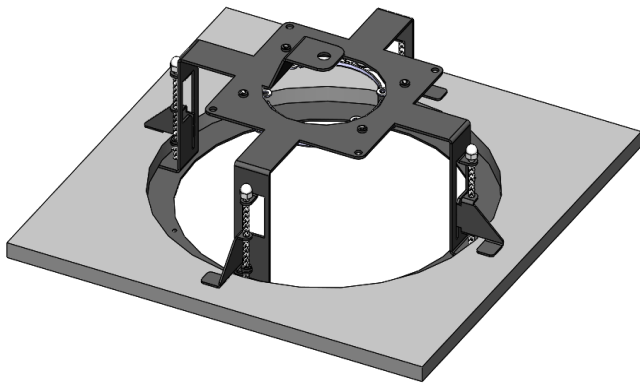


1



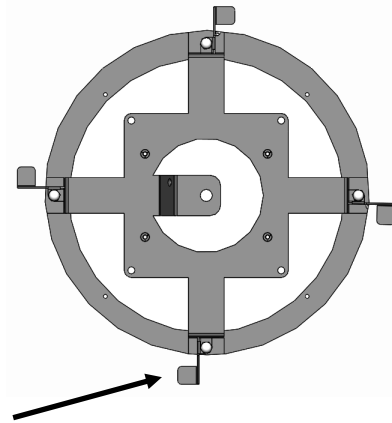
Attach camera attachment plate (supplied with camera) to recessed ceiling mount using (4) M4 x 7mm Screws.

2

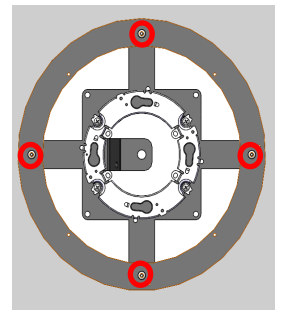


Use provided cut template to cut a 11 3/8" diameter hole in center of ceiling substrate as shown above. Place recessed ceiling mount in center of tile as shown.

3



Securing Brackets



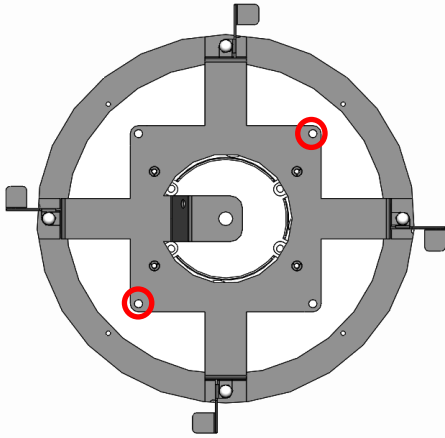
Rotate Securing Brackets outward
Tighten Screws (4) until securing brackets are tight against ceiling substrate.
DO NOT OVER TIGHTEN SCREWS

IMPORTANT

Prepare safety tethers and anchor bolts according to the material and strength of the area where the product is to be installed. The pull-out strength of the anchor bolt shall be more than 5 times of the total weight of the installed devices (including the camera body, ceiling mount, anchor bolts, and all other parts.)

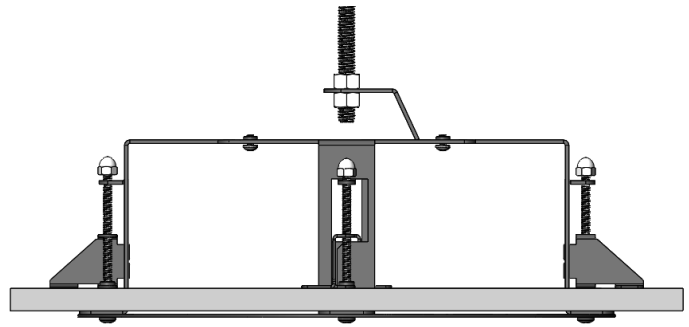
Panasonic i-PRO Sensing Solutions Corporation of America assumes no responsibility for injuries or property damage resulting from failures arising out of improper installation or operation inconsistent with this documentation.

4A PROVIDED HARDWARE



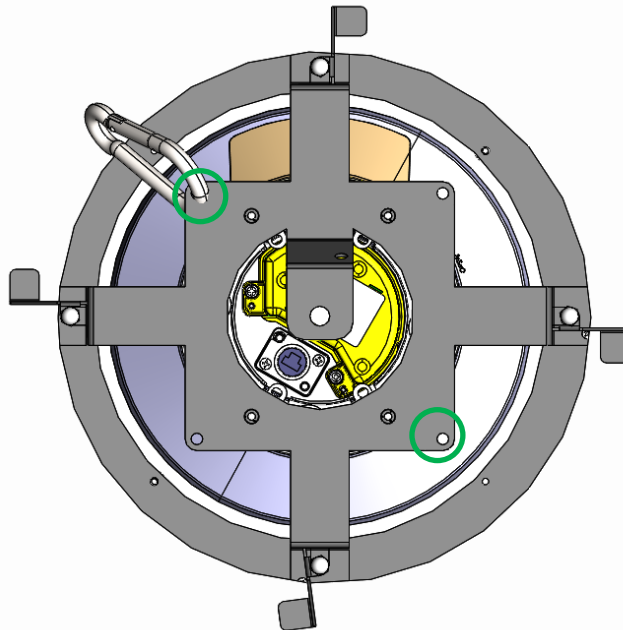
Connect (2) 1/32" Safety tethers to recessed ceiling mount on opposing corners of mount to structural support

4B LOCALLY SOURCED HARDWARE



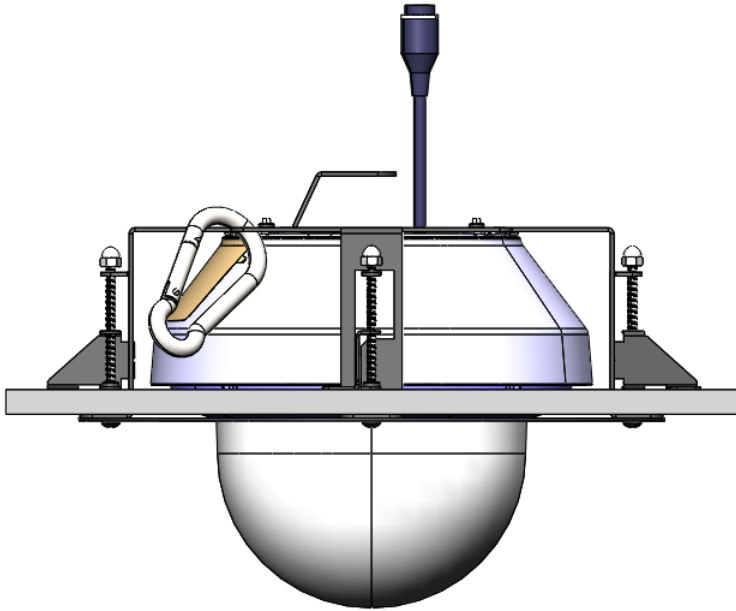
Install (1) Anchor bolt into ceiling and measure distance appropriate for mount. Place (1) Hex Head 3/8"-16 nut above mounting hole in mount and (1) below mount.

5



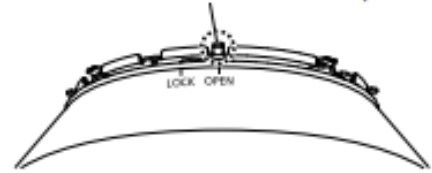
Attach Camera Safety Tether to the opposite corners which are not being used for safety tethers at Step-4A

6



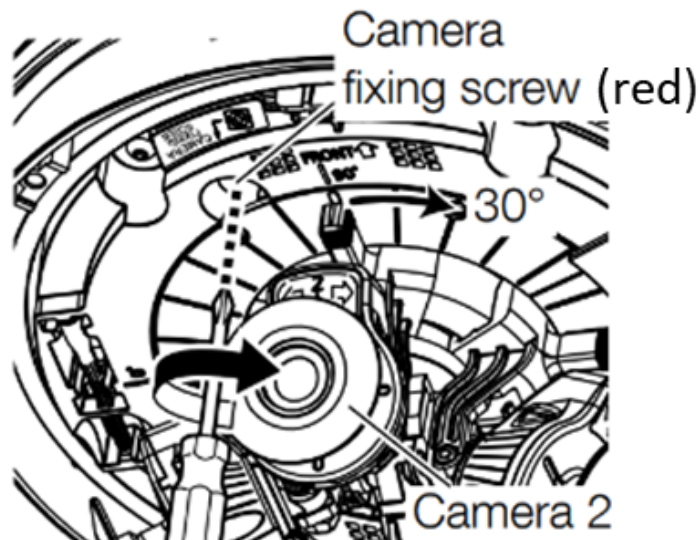
When directly attaching the attachment plate, align the OPEN mark with the nail of the attachment plate and insert.

Nail of the attachment plate



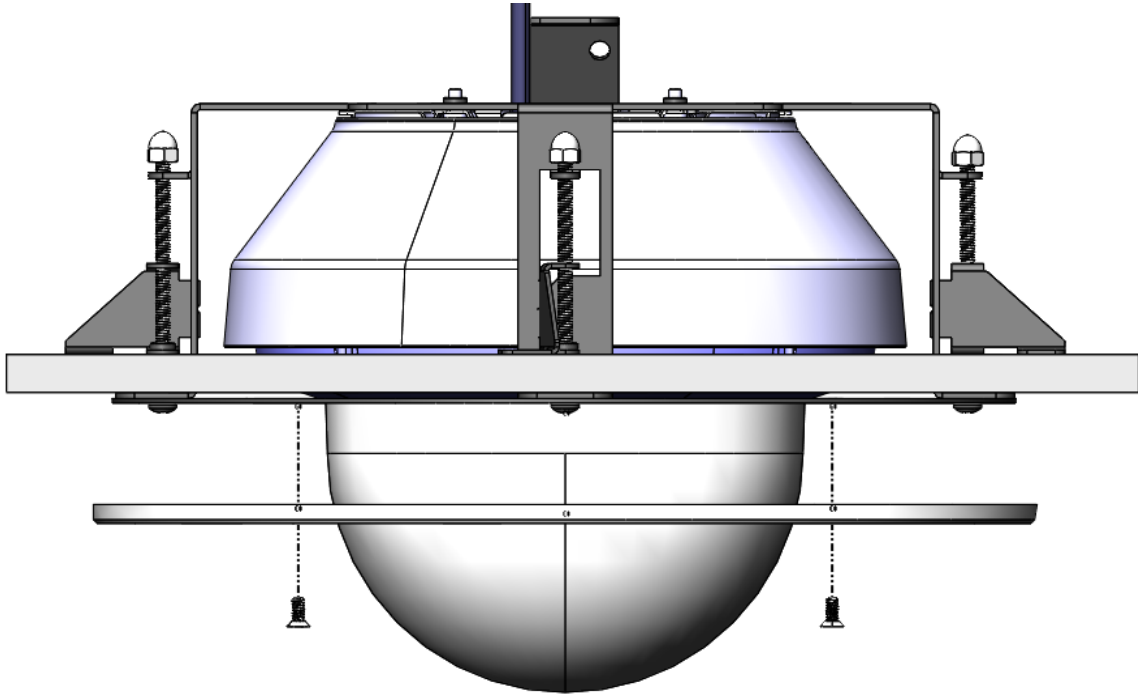
Connect cables as necessary (refer to camera operation manual)
Align camera with camera attachment plate and rotate clockwise 1/4 turn until secured. (See Note)

7



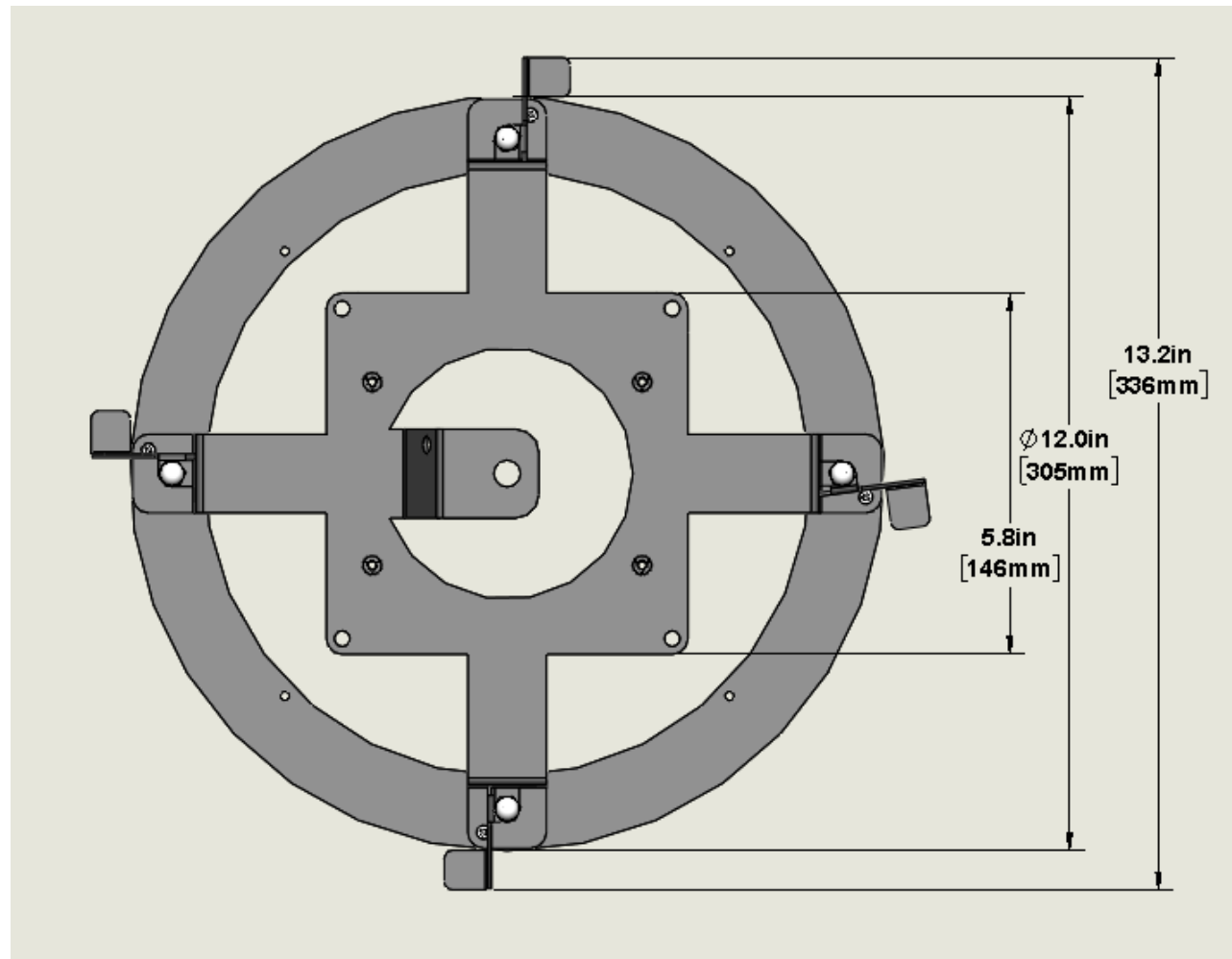
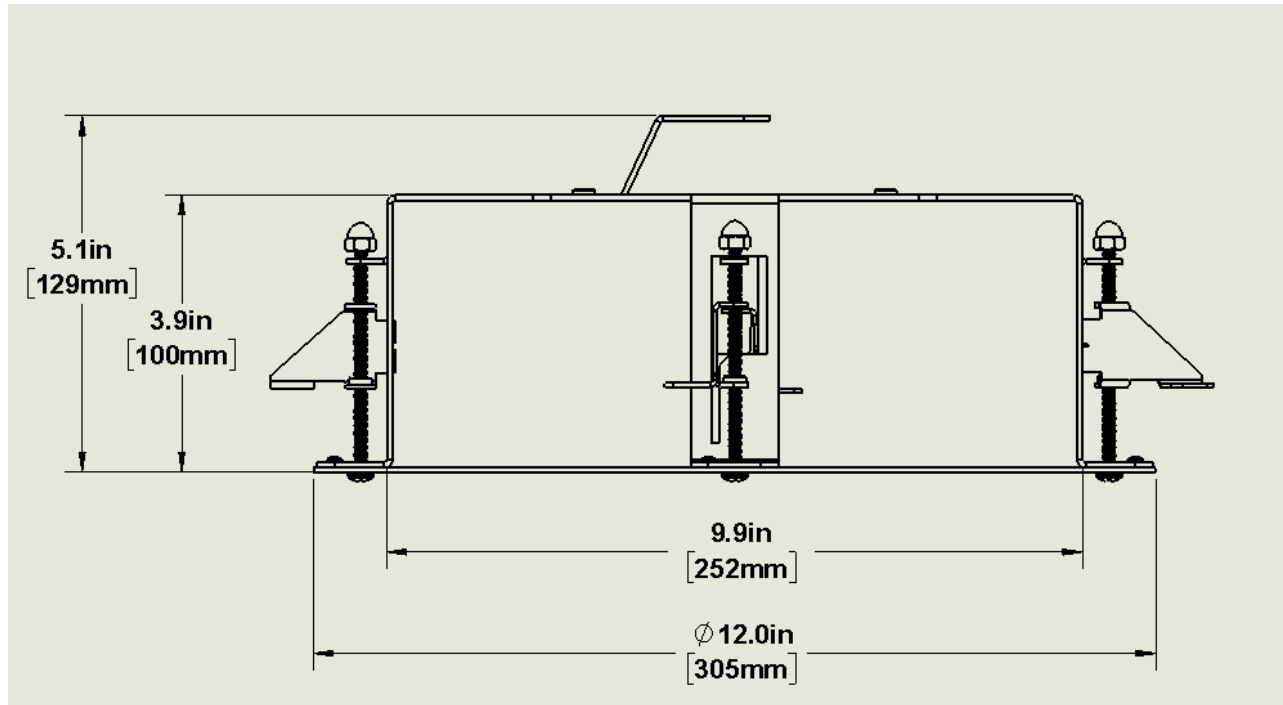
Use the driver bit (supplied with the camera) to loosen the screws and remove the enclosure from the camera main body.
Secure the camera to the camera attachment with the camera fixing screw (red).
Adjust the camera, then put back the camera enclosure on the camera main body with screws.
NOTE: If you tilt the lens to the horizontal direction, the trim ring may be seen in the images.

8



Align trim ring around camera housing
Use (2) #8-32 Screws to secure trim ring to enclosure.
DO NOT OVER TIGHTEN SCREWS

OVERALL DIMENSIONS



WEIGHT: 3.00 LBS {1.36 kg}