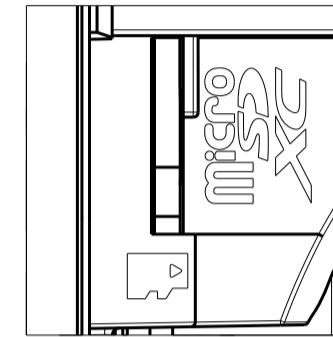


Model number
WV-U35301-F2L
WV-U35301-F2LJ
WV-U35301-F2LG
WV-U35401-F2L
WV-U35401-F2LJ
WV-U35401-F2LG

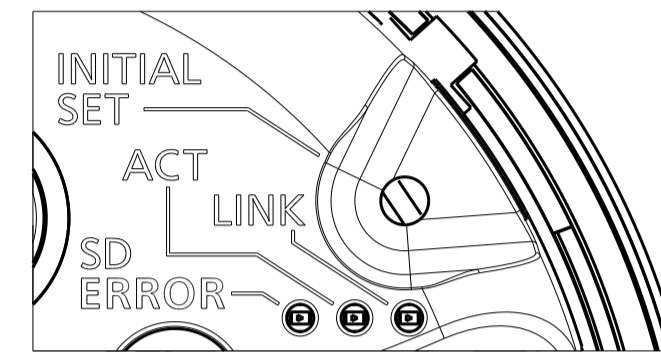
	投影面積/Projected area
正面図/Front-view	0.005 (m <sup>2</sup> )
側面図/Side-view	0.0047 (m <sup>2</sup> )

Mass : Approx. 410 g {0.91 lbs}

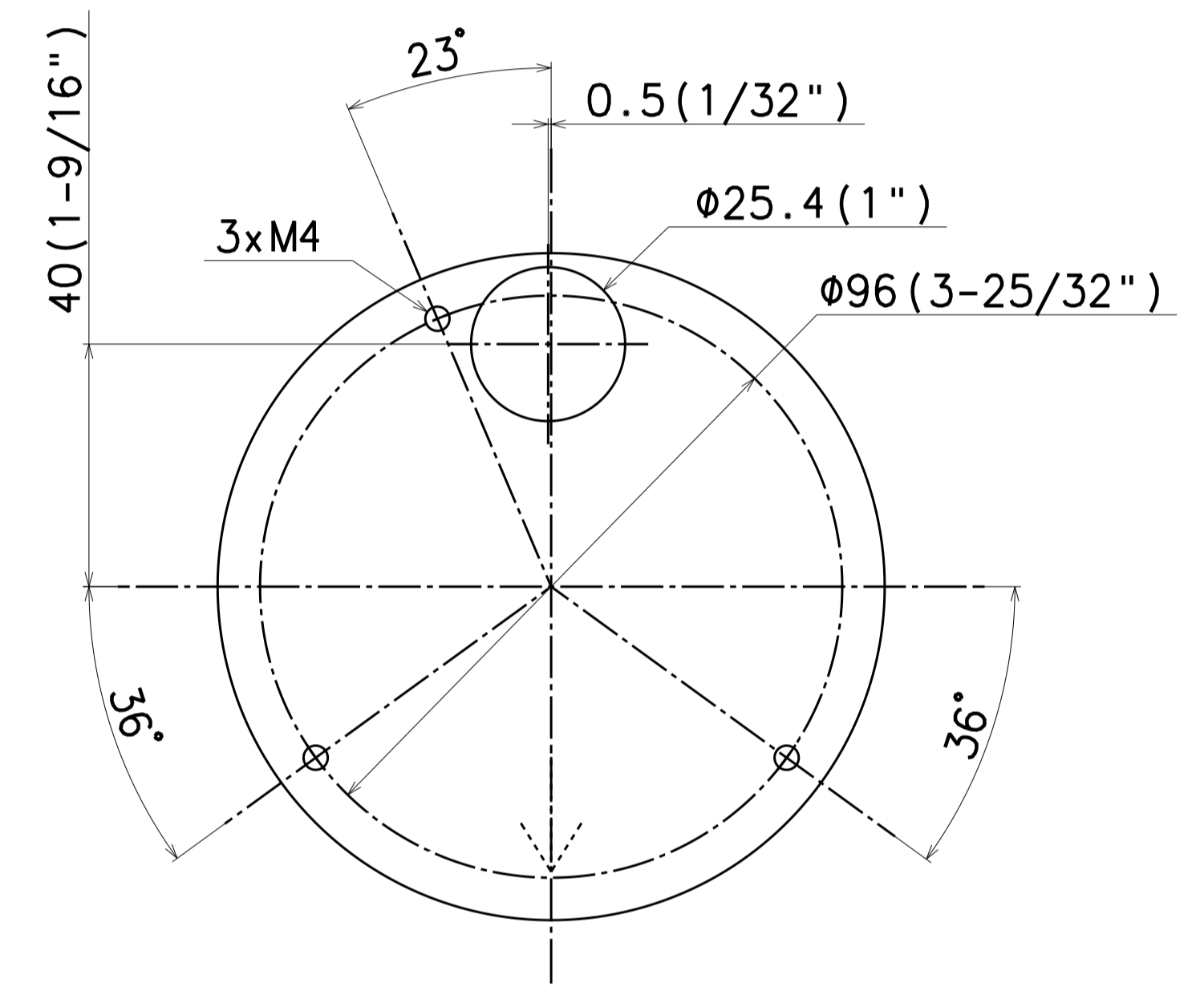
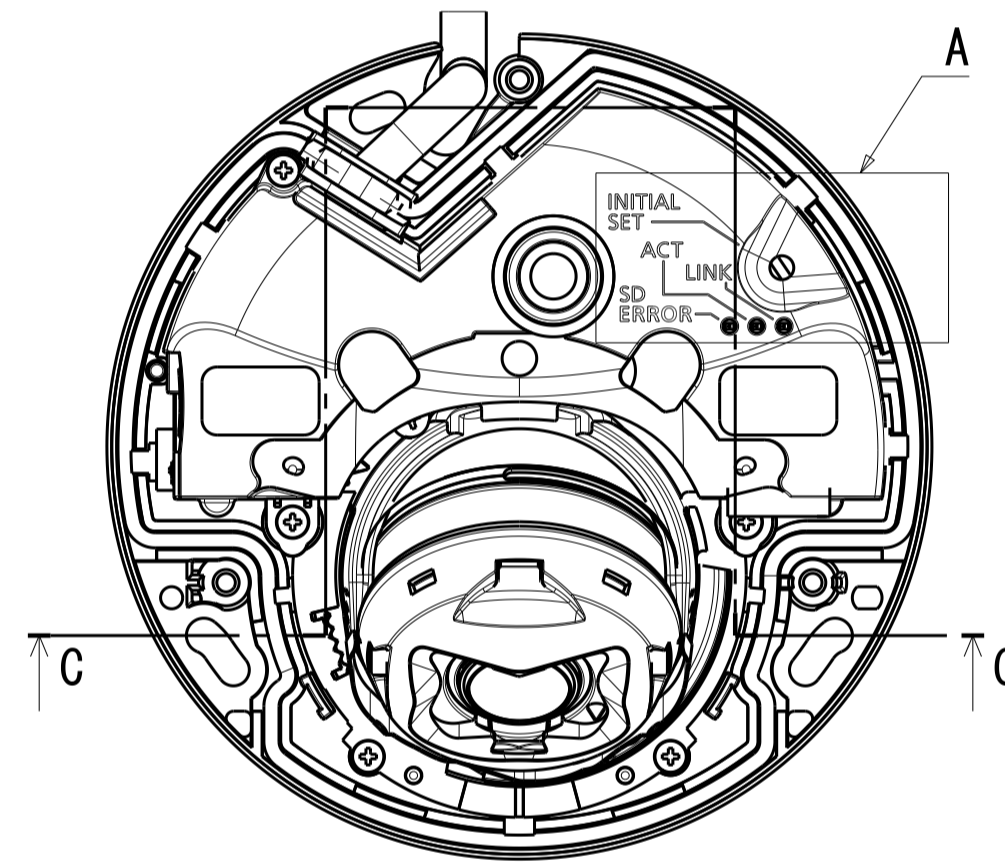
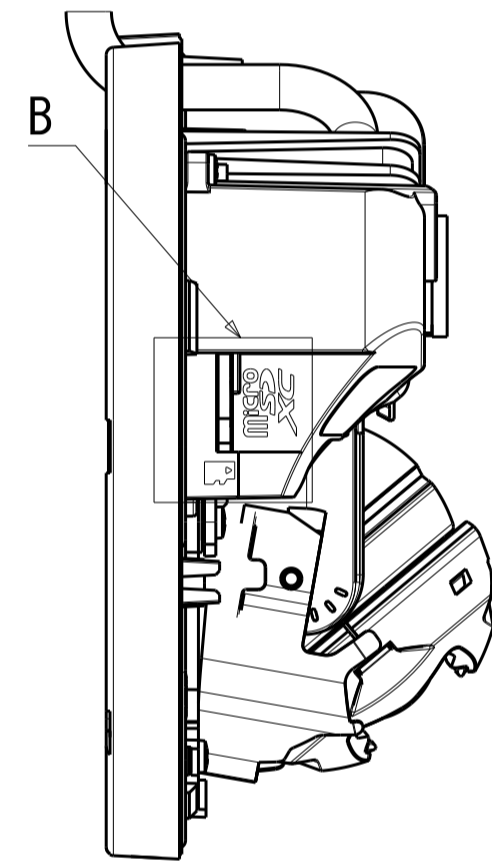
Unit:mm



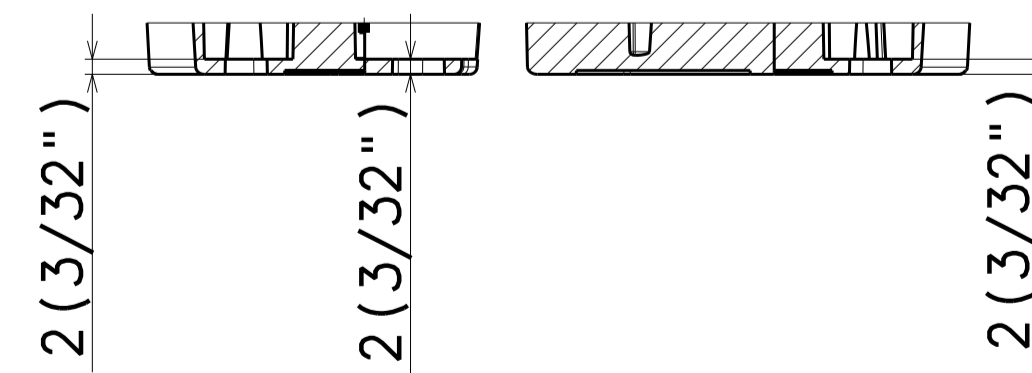
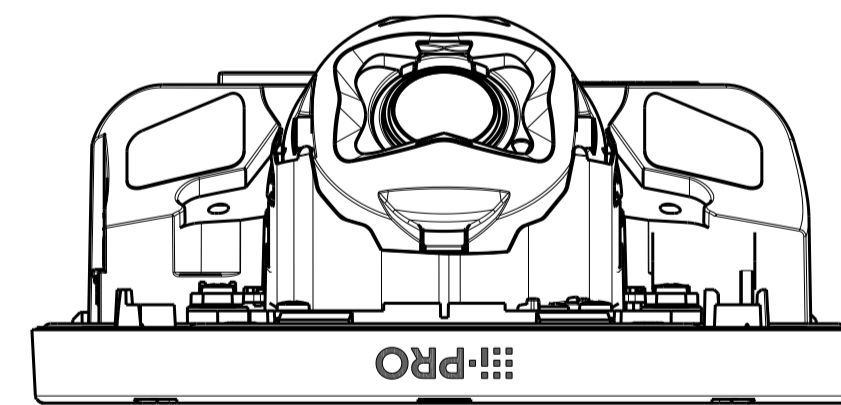
Detail B (2:1)



Detail A (2:1)

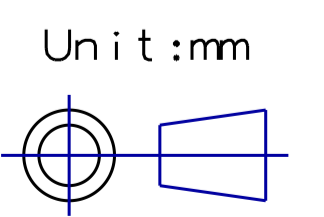


Template for mounting

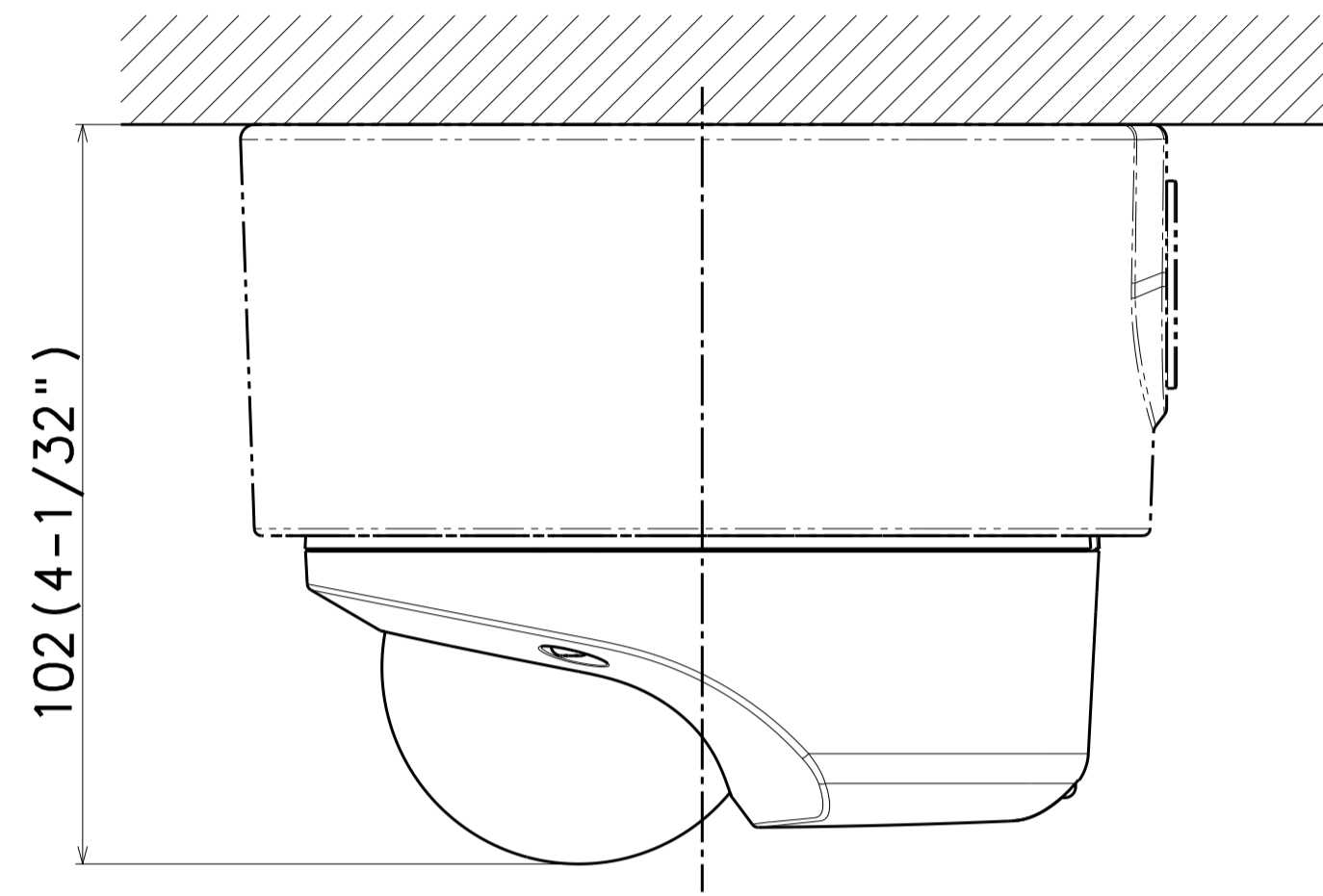


Sec C-C  
Without Enclosure

Model number
WV-U35301-F2L
WV-U35301-F2LJ
WV-U35301-F2LG
WV-U35401-F2L
WV-U35401-F2LJ
WV-U35401-F2LG

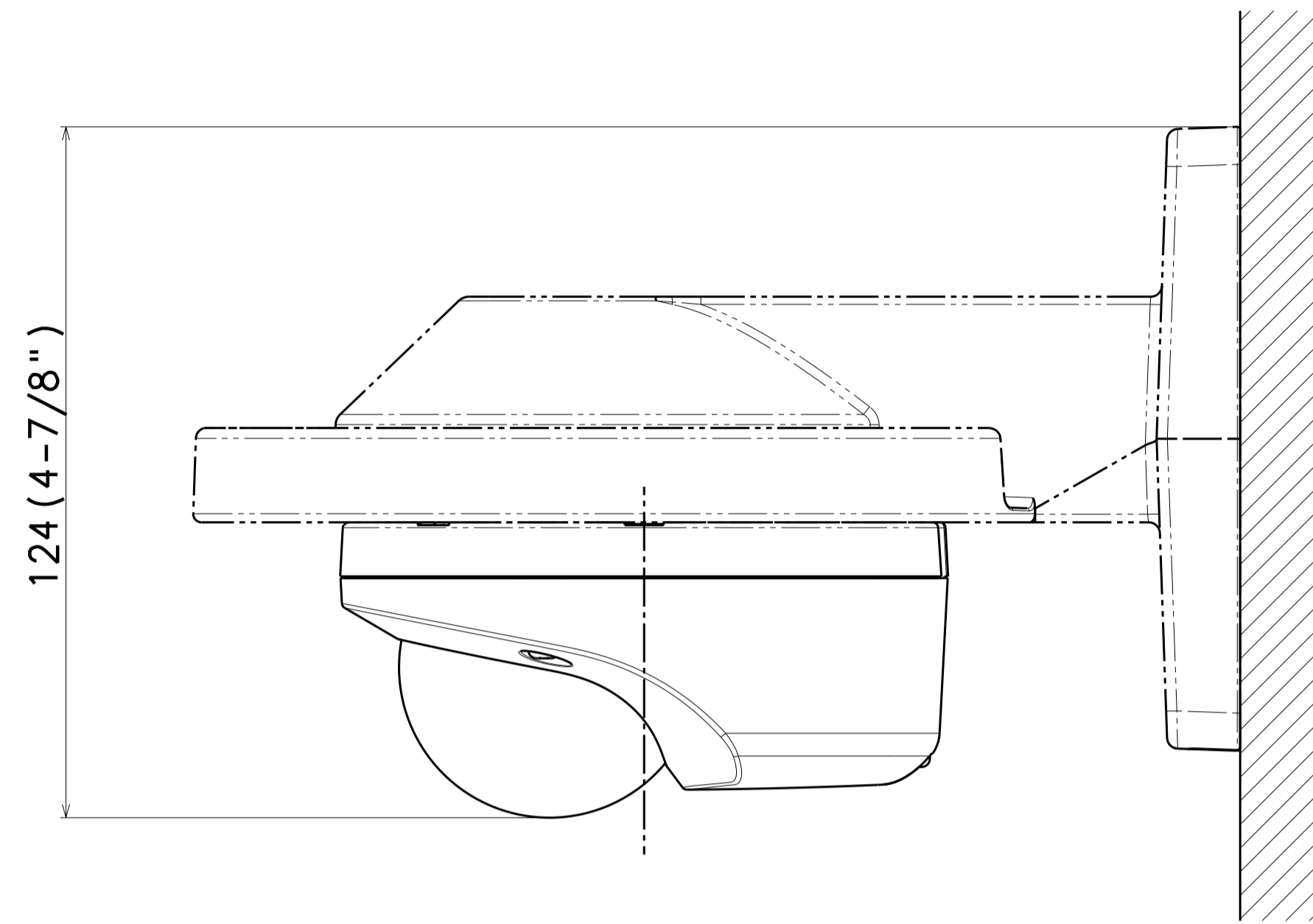


金具との組み合わせ例  
Example of combination with bracket



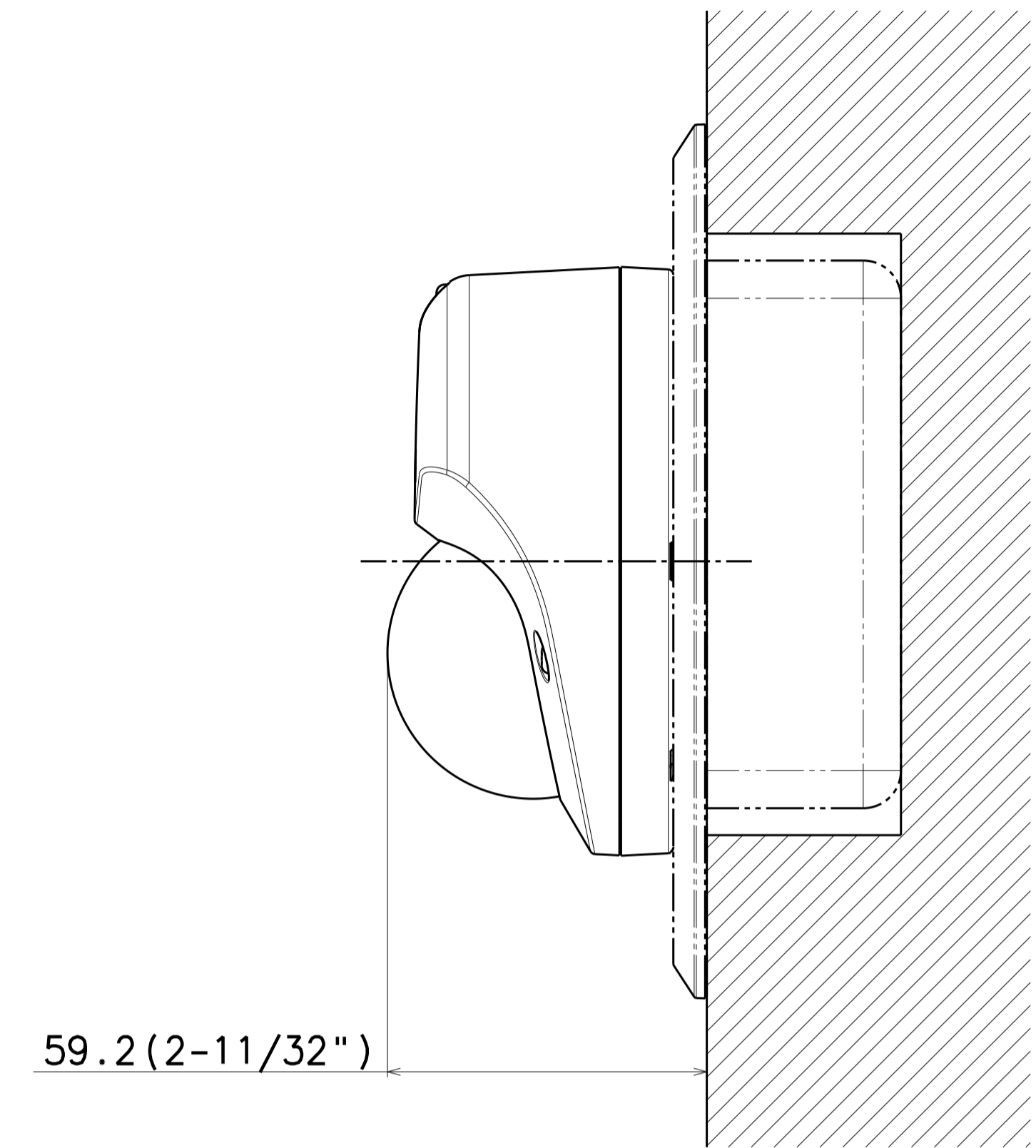
Attach to WV-QJB502A-\*

	投影面積/Projected area
側面図/Side-view	0.011 (m <sup>2</sup> )



Attach to WV-QWL500-\*\*

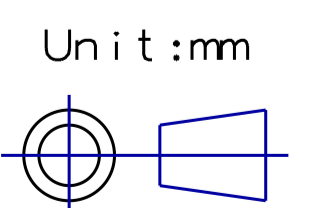
	投影面積/Projected area
側面図/Side-view	0.0127 (m <sup>2</sup> )



Attach to WV-QAT502-\* & 2-Gang Box

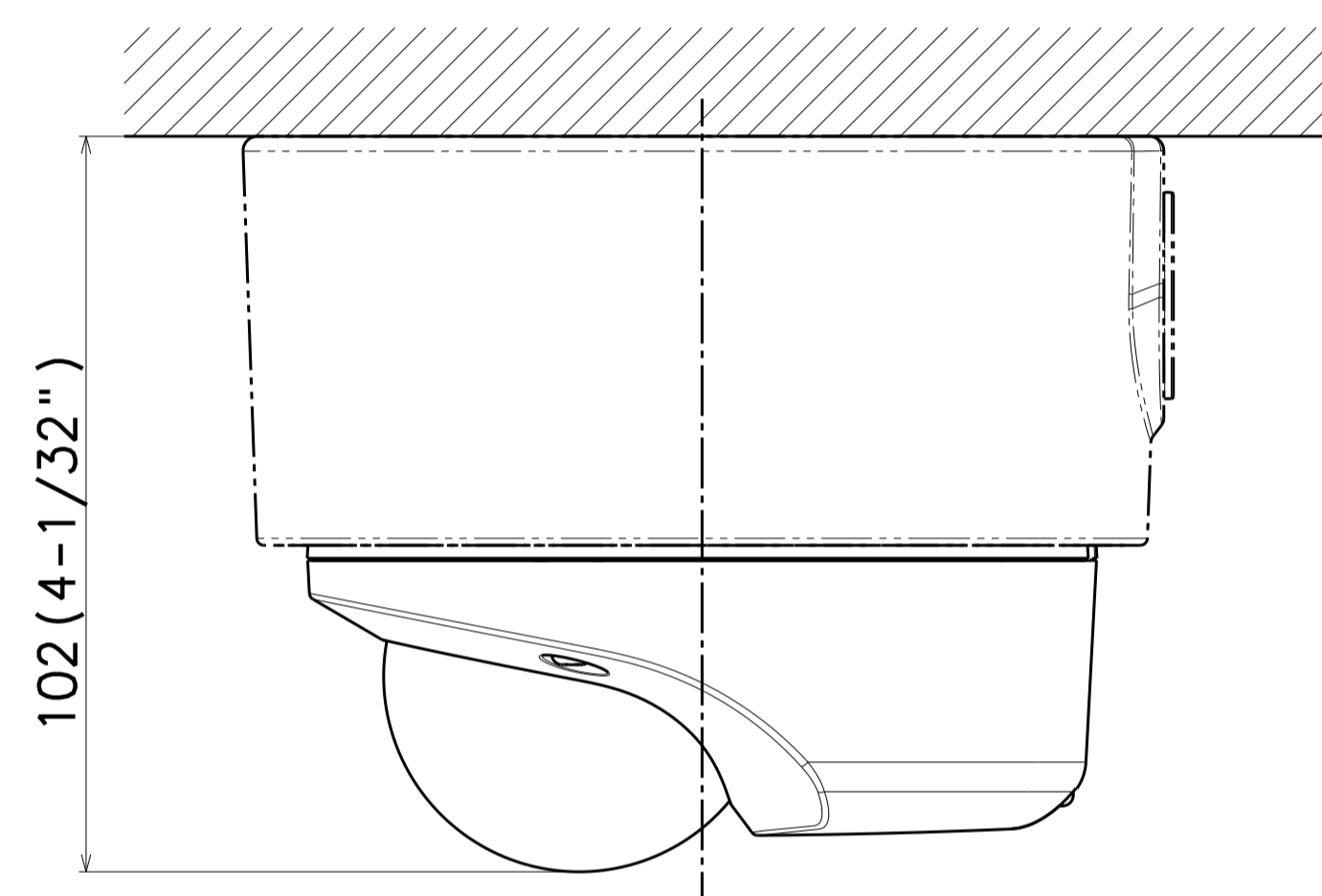
	投影面積/Projected area
側面図/Side-view	0.006 (m <sup>2</sup> )

Model number
WV-U35301-F2L
WV-U35301-F2LG
WV-U35401-F2L
WV-U35401-F2LG



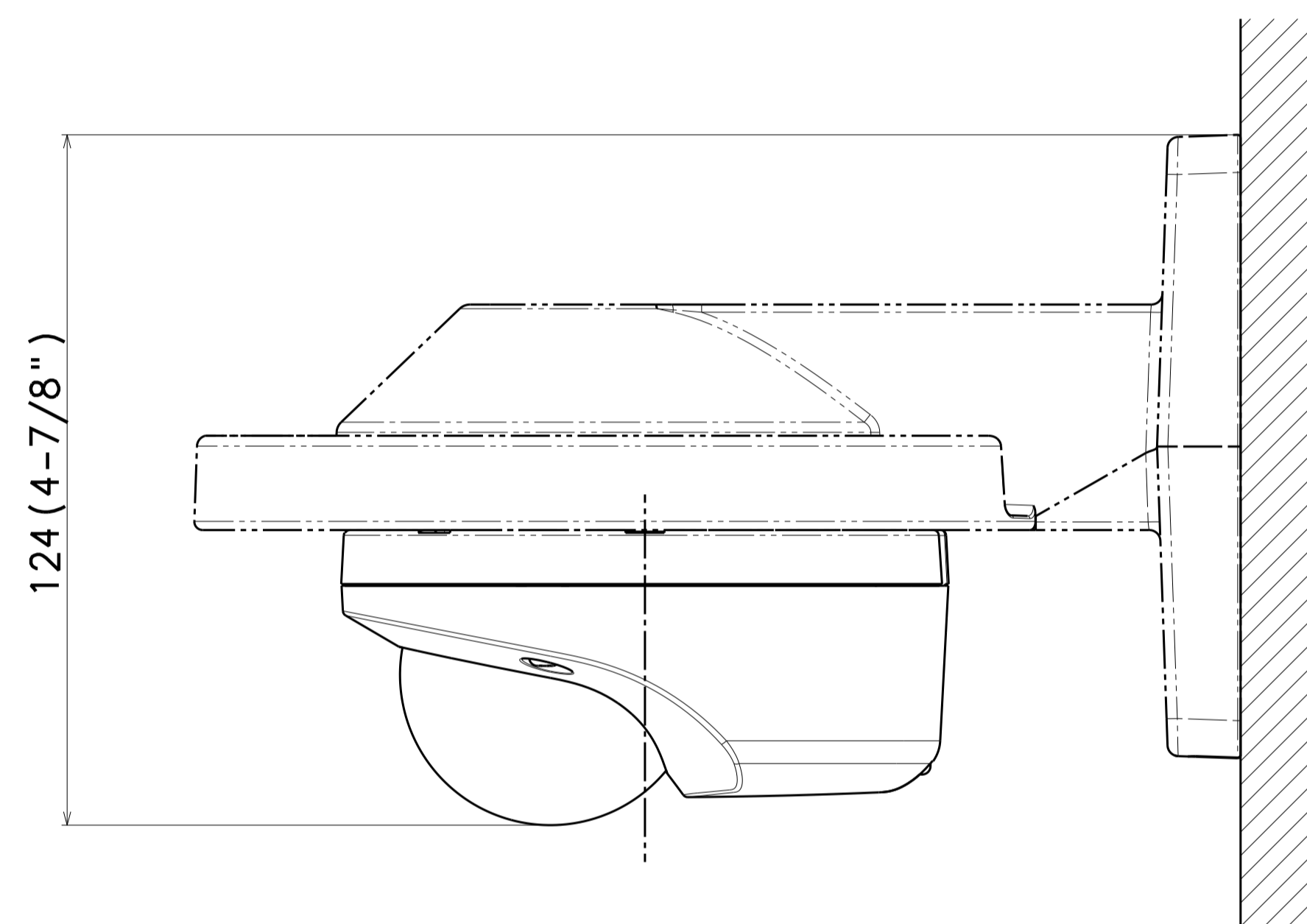
金具との組み合わせ例  
Example of combination with bracket

国内向け  
Domestic



Attach to WV-QJB502A-\*

	投影面積/Projected area
側面図/Side-view	0.011 (m <sup>2</sup> )



Attach to WV-QWL500-\*\*

	投影面積/Projected area
側面図/Side-view	0.0127 (m <sup>2</sup> )

Model number  
WV-U35301-F2LJ  
WV-U35401-F2LJ

Unit:mm