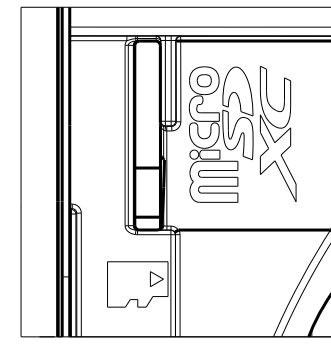
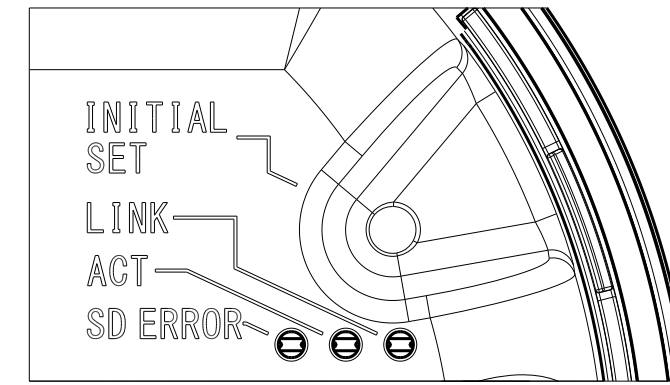
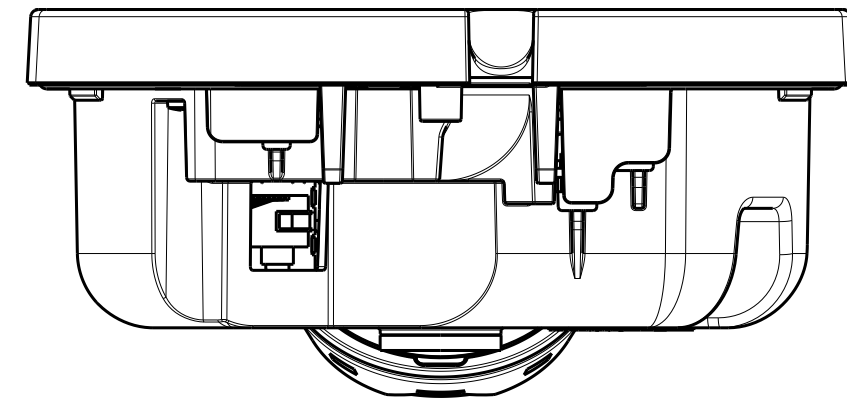


Mass : Approx. 550 g {1.21 lbs}

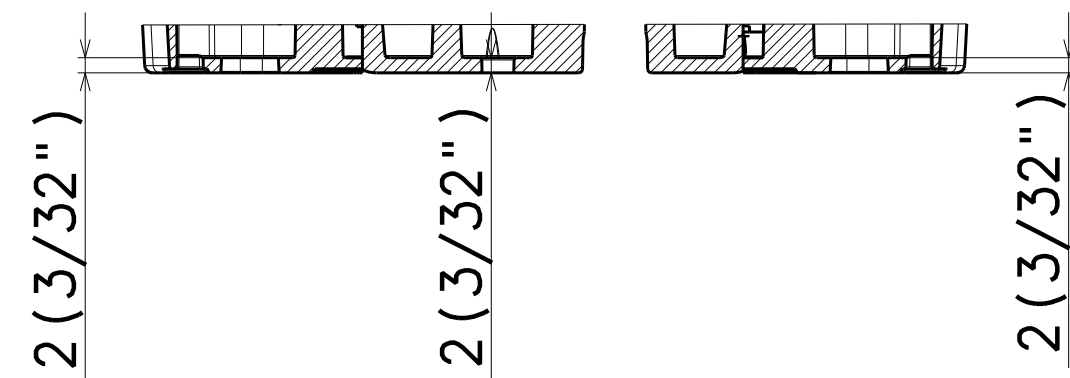
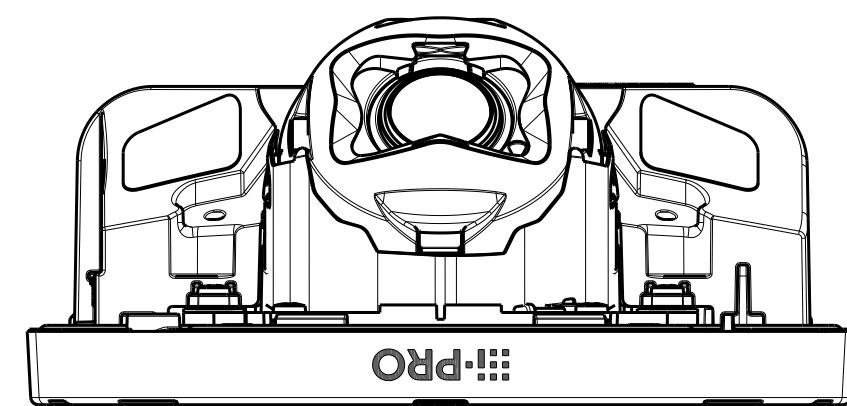
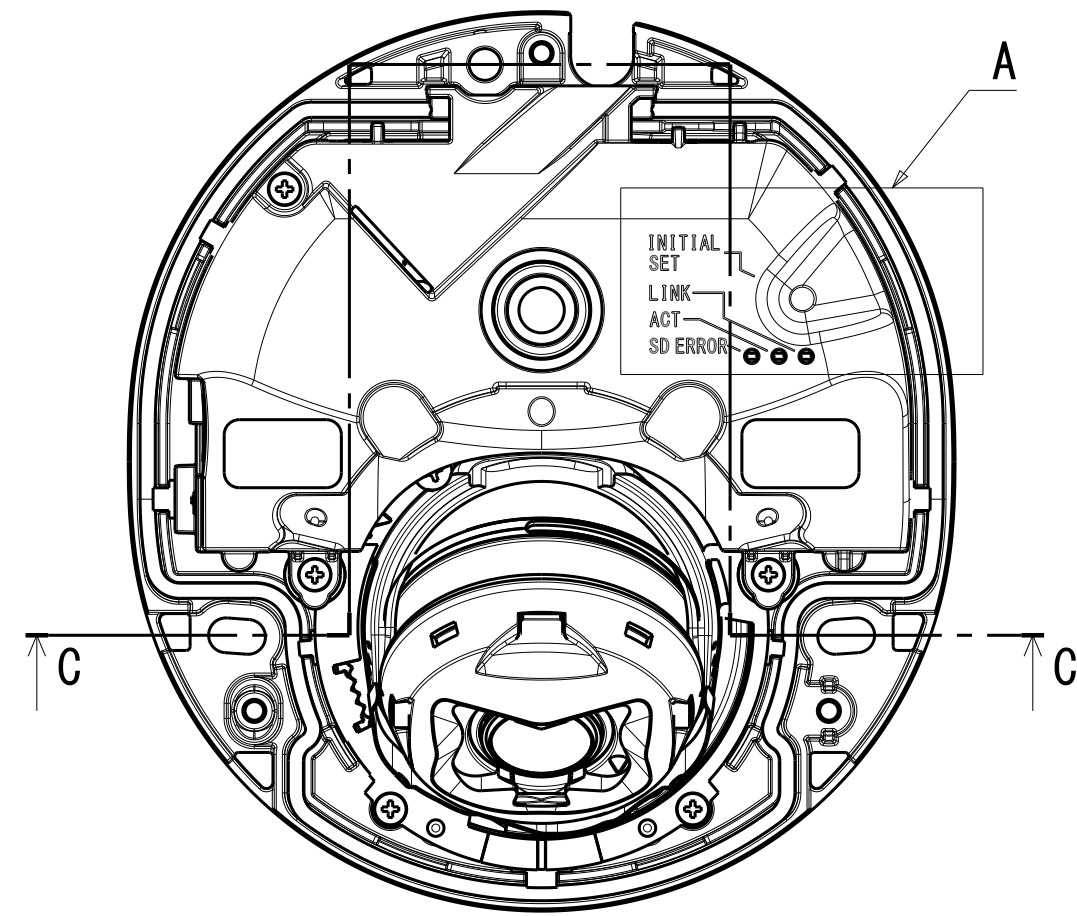
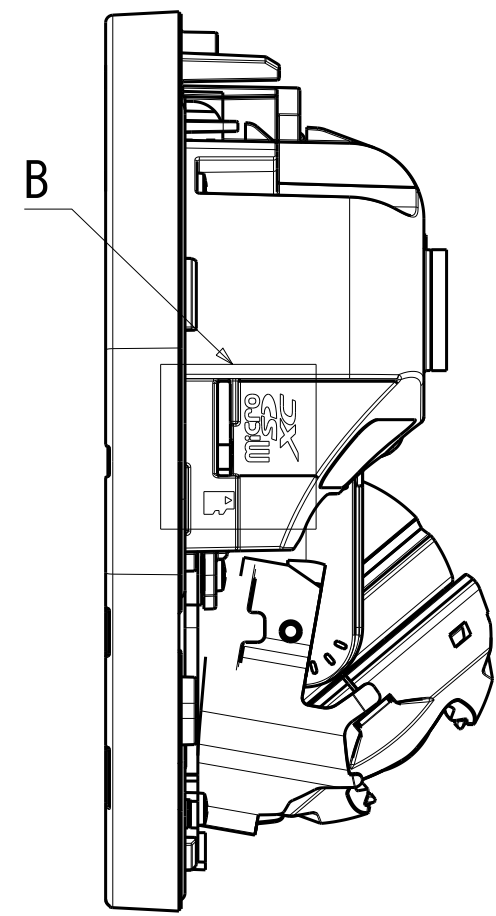
Unit :mm



Detail B (2:1)

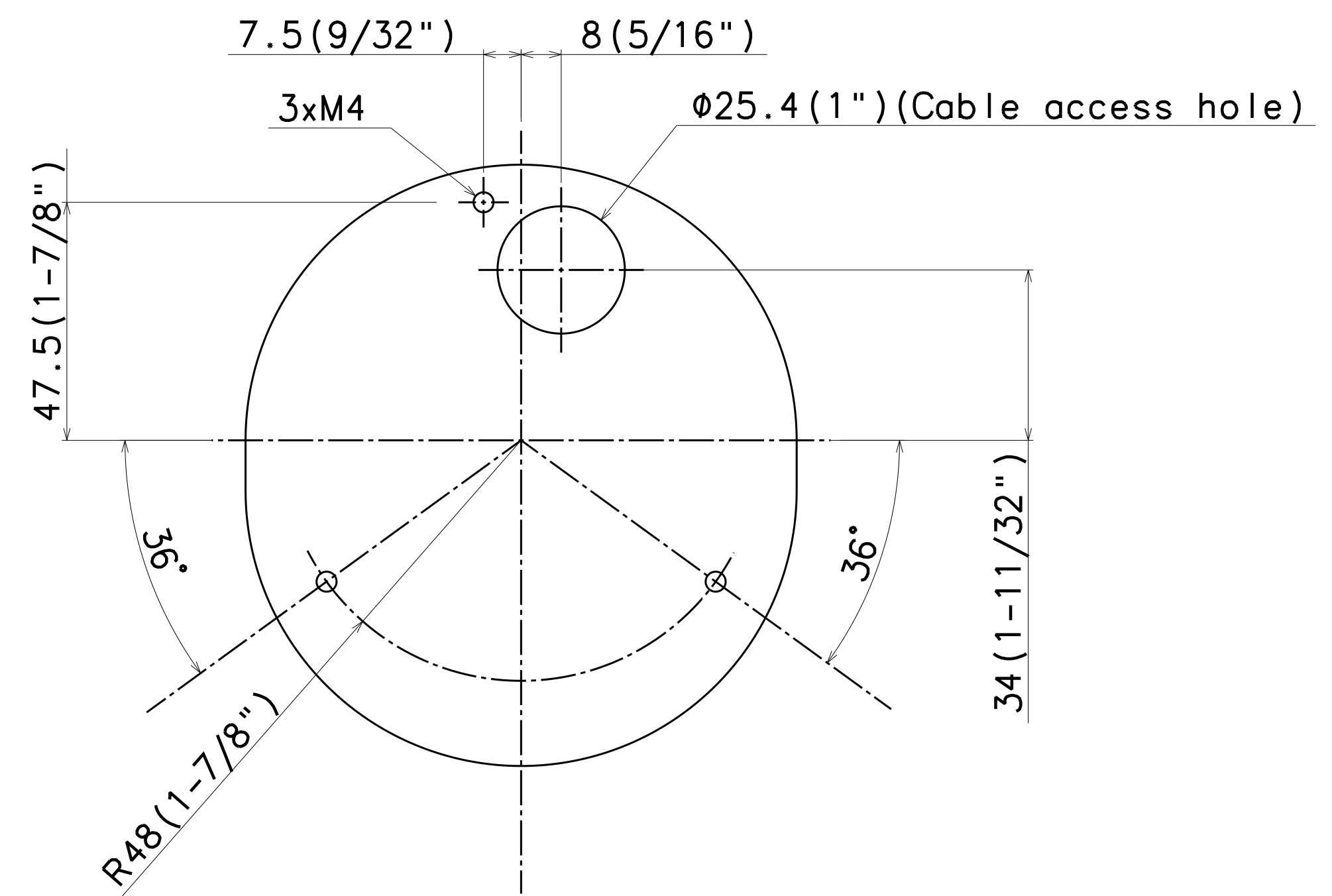


Detail A (2:1)



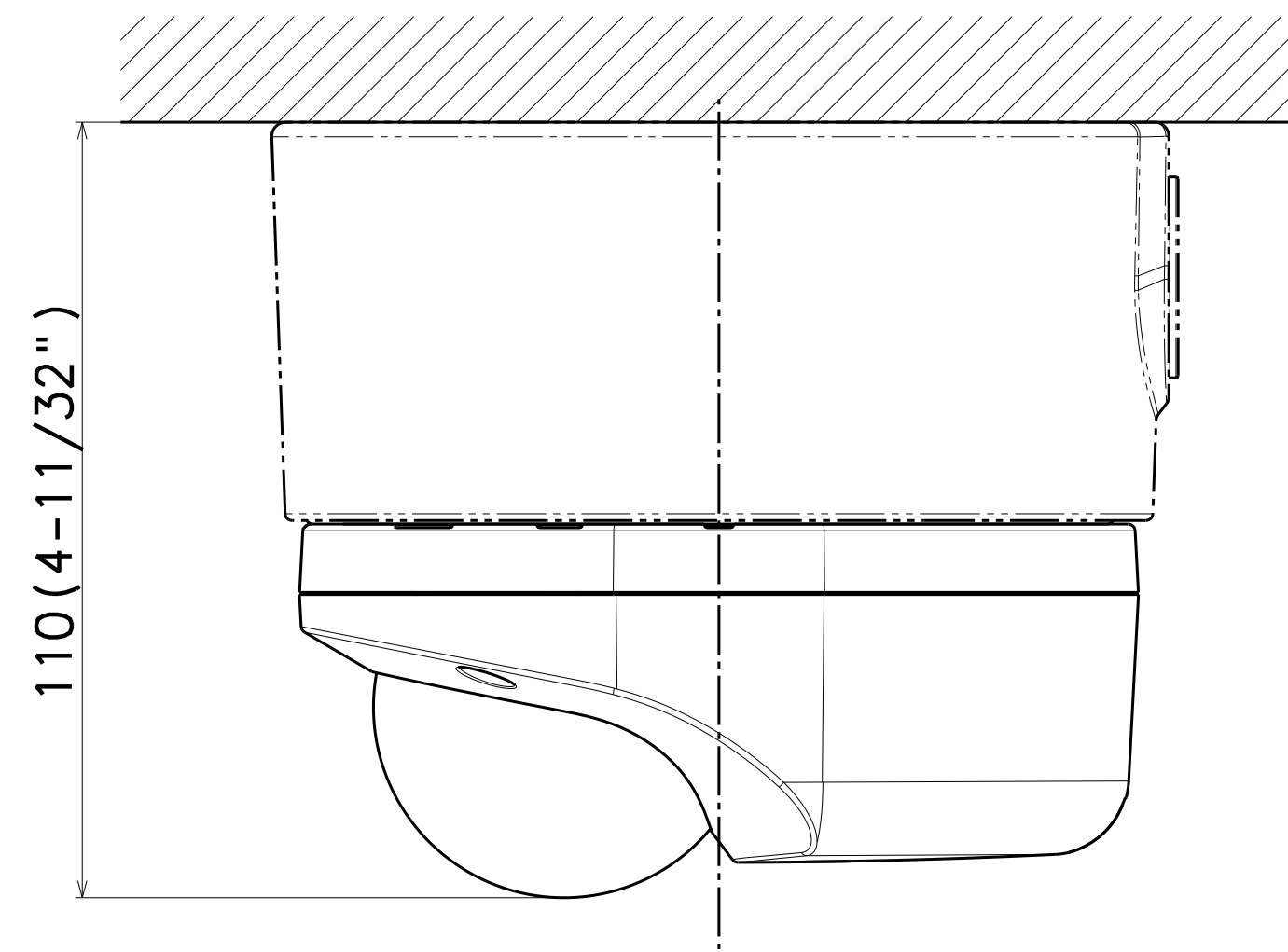
Sec C-C

Without Enclosure

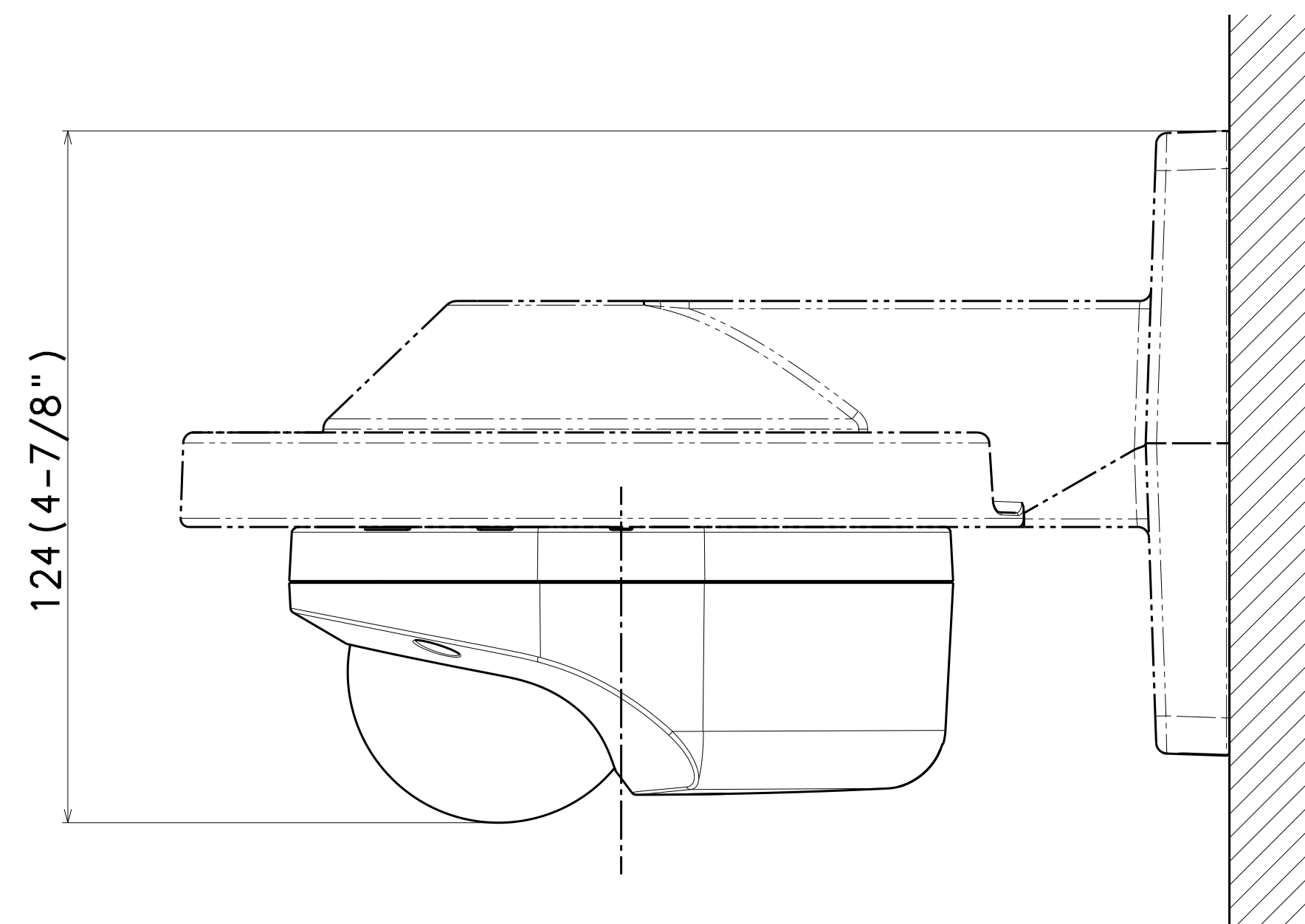


Template for mounting

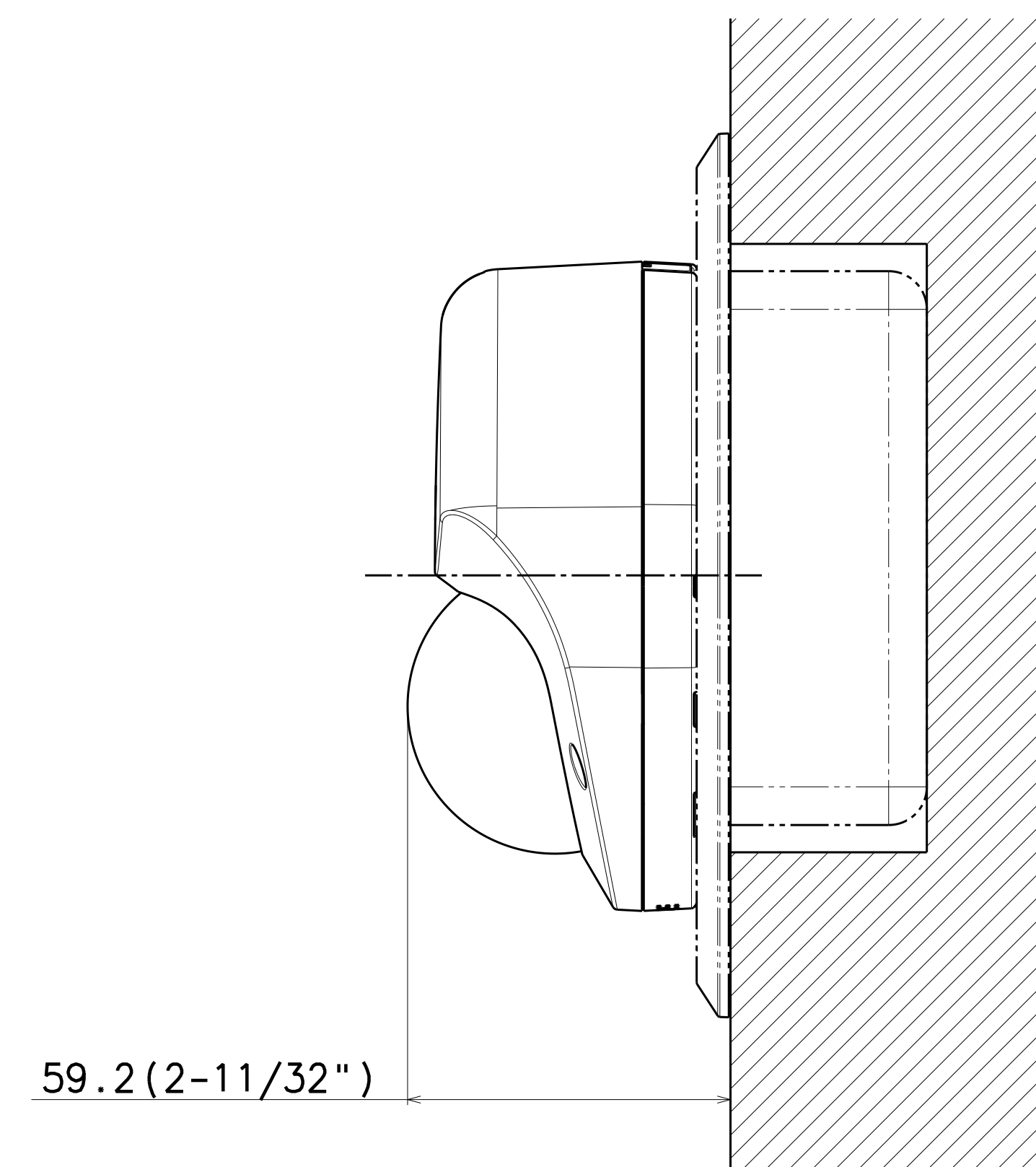
金具との組み合わせ例
Example of combination with bracket



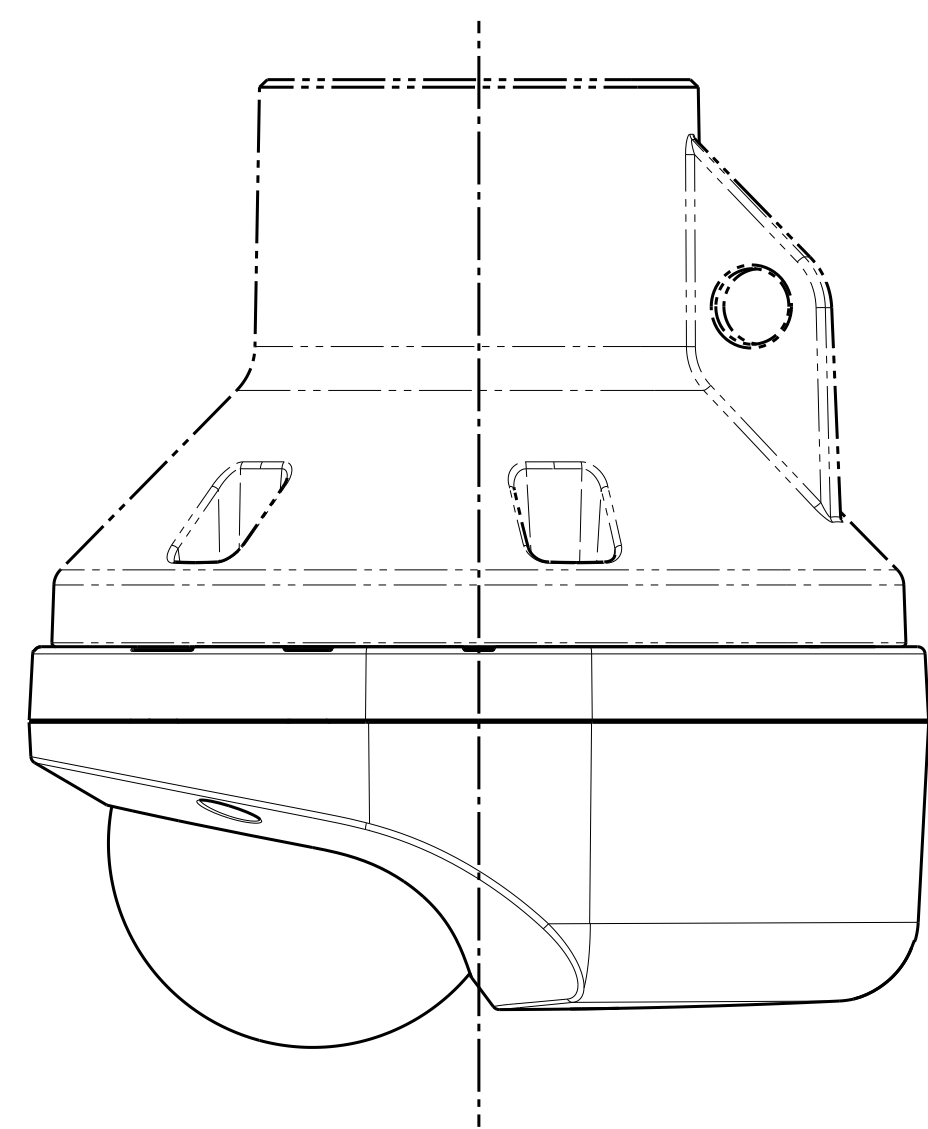
Attach to WV-QJB502A-*



Attach to WV-QWL500-**



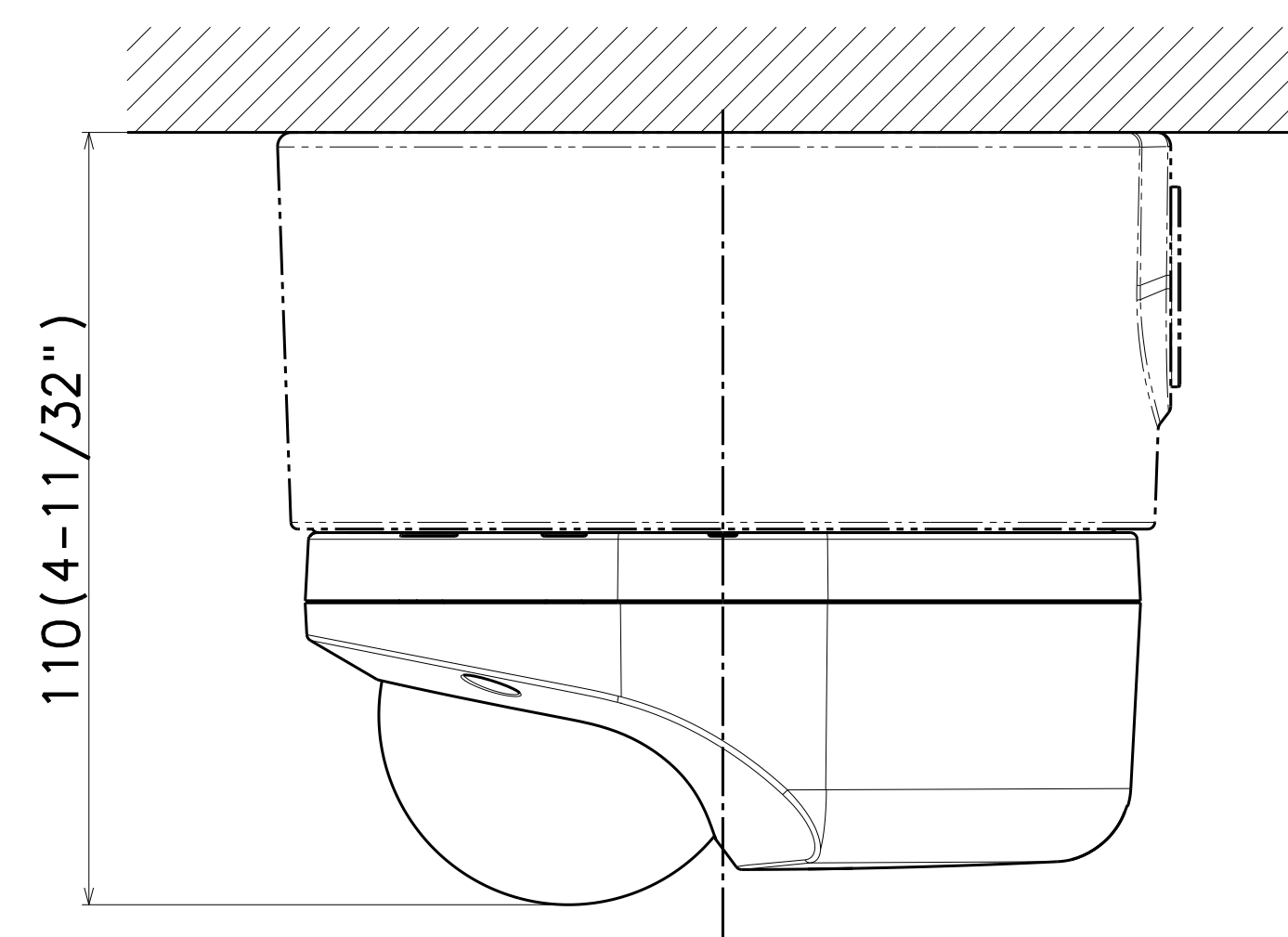
Attach to WV-QAT502-* & 2-Gang Box



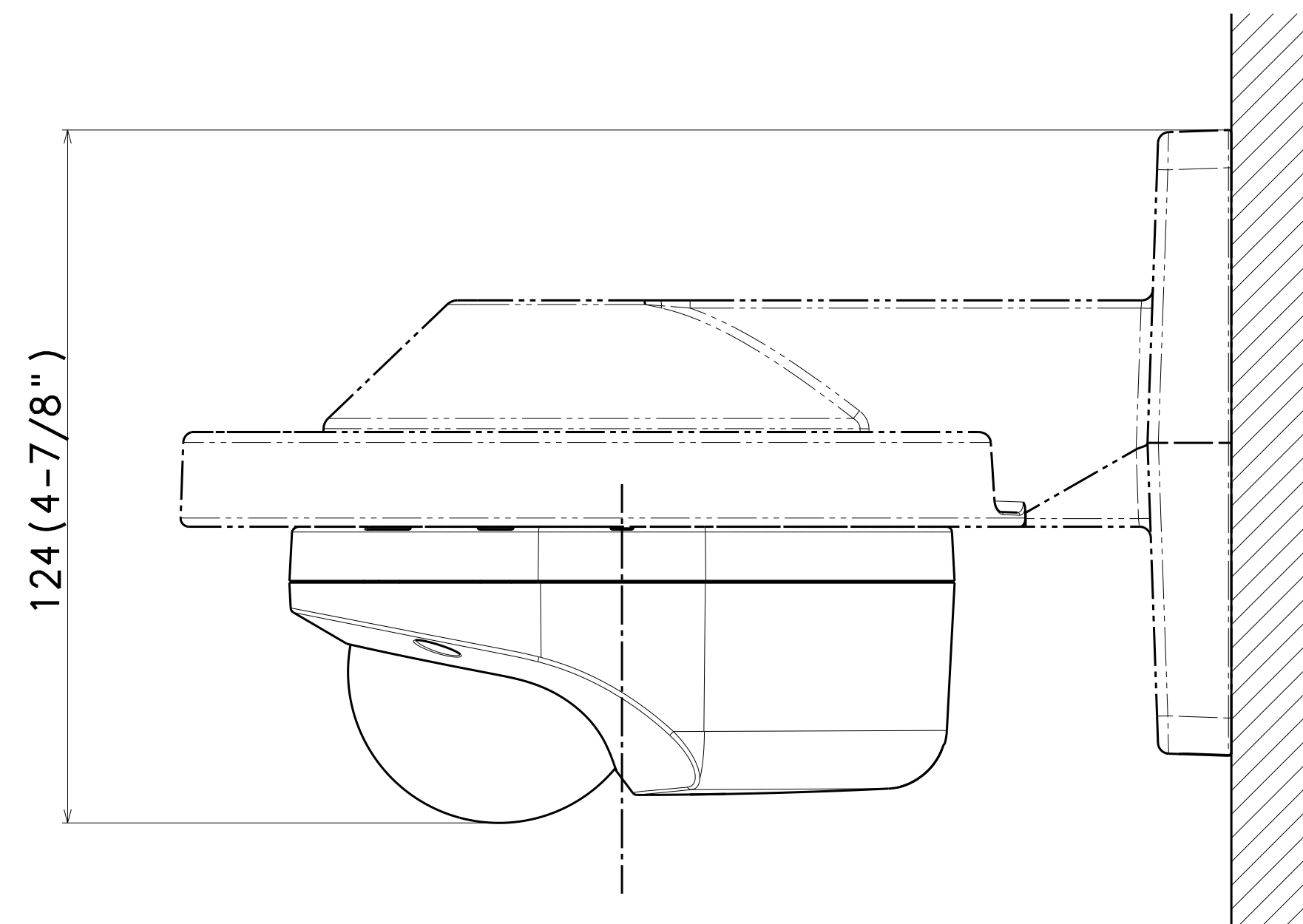
Attach to WV-QCL101-*

金具との組み合わせ例
Example of combination with bracket

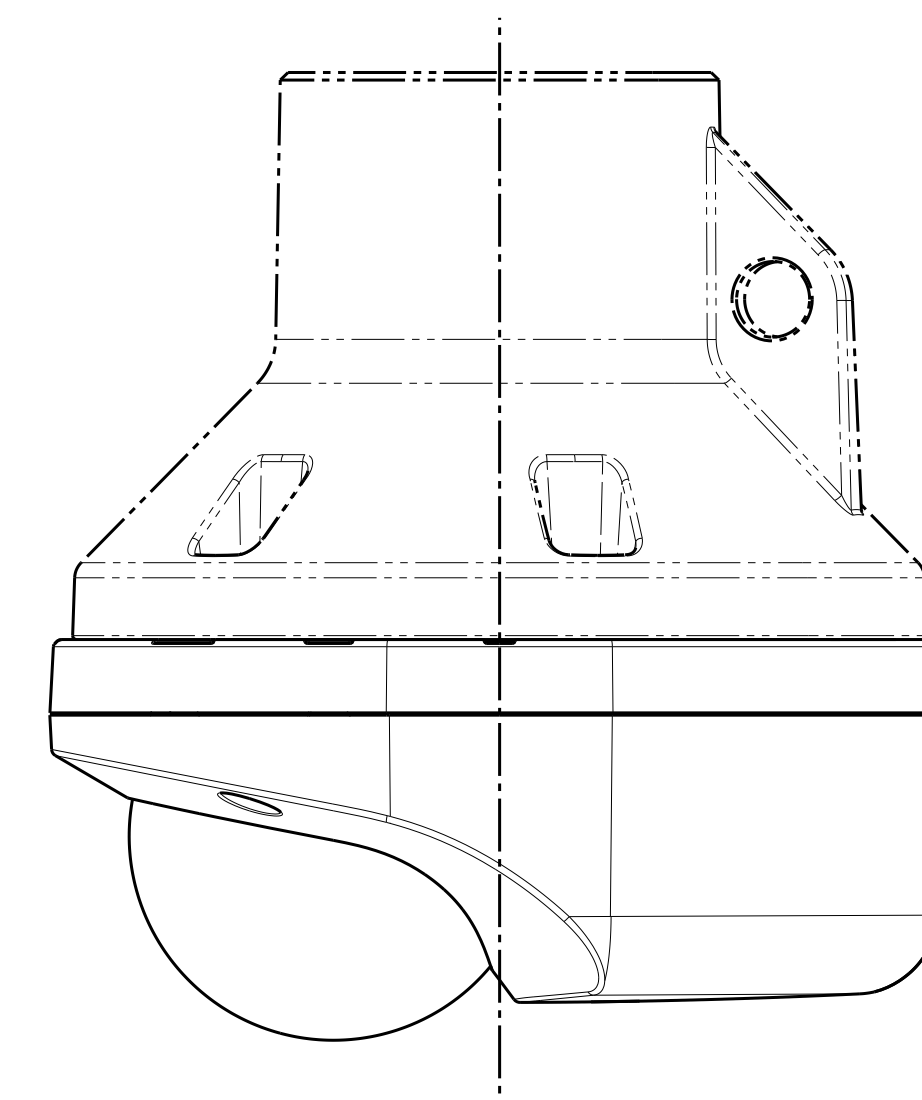
国内向け
Domestic



Attach to WV-QJB502A-*



Attach to WV-QWL500-**



Attach to WV-QCL100-*