

WV-S32302-F2LG

2MP Indoor Compact Dome Network Camera with AI engine

All-in-one Compact dome camera with AI engine and IR-LED



- 2MP Compact dome camera
- Up to 2 Edge AI analytic apps
- Discreet design
- Wide angle of view (Horizontal 132°)
- Built-in IR-LED (15m/49ft)
- Built-in microphone
- IK10 certified
- Built-in FIPS 140-2 Level 3 Certified SecureElement (EdgeLock® SE050F NXP® Semiconductors)
- NDAA Compliant



SPECIFICATIONS

Camera	
Image Sensor	Approx.1/2.8 type CMOS image sensor
Scanning Area	5.57 mm (H) × 3.13 mm (V) {7/32 inches (H) × 1/8 inches (V)}
Minimum Illumination	Color : 0.05 lx (30IRE, F2.1, 1/30 s) , Color : 0.07 lx (50IRE, F2.1, 1/30 s) BW : 0.05 lx (50IRE, F2.1, 1/30 s) , BW : 0 lx (50IRE, F2.1, 1/30 s with IR LED)
White Balance	ATW1/ ATW2/ AWC
Maximum shutter	60 fps/30 fps/15 fps mode: Max.1/10000s to Max.16/30s 50 fps/25 fps/12.5 fps mode: Max.1/10000s to Max.16/25s
Intelligent Auto	On / Off
Super Dynamic	On / Off, The level can be set in the range of 0 to 31. *1
Dynamic Range	144 dB max. (Super Dynamic: On, Level: 31)
Adaptive Black Stretch	The level can be set in the range of 0 to 255.
Back Light Compensation/ High Light Compensation	BLC/ HLC/ Off, The level can be set in the range of 0 to 31. (only when Super Dynamic/ Intelligent Auto: Off)
Fog Compensation	On/ Off, The level can be set in the range of 0 to 8. (only when Intelligent Auto/ Auto contrast adjust: Off)
Maximum Gain (AGC)	The level can be set in the range of 0 to 11.
Color/BW (ICR)	Off/ On(IR Light Off)/ On(IR Light On)/ Auto1(IR Light Off)/ Auto2(IR Light On)/ Auto3(SCC)
IR LED Light	High/ Middle/ Low/ Off Maximum irradiation distance : 15 m {Approx. 49 ft} (30IRE)* , 10 m {Approx. 33 ft} (50IRE) * Converted value
Digital Noise Reduction	The level can be set in the range of 0 to 255.
Video Motion Detection (VMD)	On/ Off, 4 areas available
Scene Change Detection (SCD)	On/ Off, 1 area available
Audio Detection	On/Off
AI Sound Classification	Selectable from Gunshot, Yell, Vehicle horn, Glass break
AI Analytics	AI Video Motion Detection, AI Privacy Guard, AI Face Detection, AI People Detection, AI Vehicle Detection, AI Non mask Detection, AI Occupancy Detection, AI Scene Change Detection For details : https://i-pro.com/products_and_solutions/en/surveillance/products/analytics-software 3rd party applications are also available. https://i-pro.com/products_and_solutions/en/surveillance/solutions/edge-ai-platform/application-list
Privacy Zone	On/ Off, up to 8 zones available
VIQS	On/ Off, up to 8 zones available

Image Rotation	0° (Off) / 90° / 180° (Upside-down) / 270°
Camera Title (OSD)	On/ Off, Up to 40 characters, Up to 2 Lines (alphanumeric characters, marks)

Lens

Optical zoom	1x
Extra zoom	max 3.0 x (when resolution is 640x360)
Digital (Electronic) zoom	-
Focal length	2.4mm {3/32inches}
Angular Field of View	[16:9 mode] Horizontal: 132° , Vertical: 74° [4:3 mode] Horizontal : 99° , Vertical : 74°
Maximum Aperture Ratio	1 : 2.1
Focus range	0.5 m {19-11/16 inches} -∞
Aperture range	F2.1

DORI

Detect (25ppm / 8ppf)	17.1m / 56.1ft
Observe (62.5ppm / 19ppf)	6.8m / 22.4ft
Recognize (125ppm / 38ppf)	3.4m / 11.2ft
Identify (250ppm / 76ppf)	1.7m / 5.6ft

System on Chip (SoC)

System on Chip (SoC)	Ambarella CV25M
----------------------	-----------------

Adjusting Angle

Adjusting Angle	Horizontal (PAN) angle: -45°to +45° , Vertical (TILT) angle: 0°to +90° Azimuth (YAW) angle: -90°to +90°
-----------------	--

Browser GUI

GUI / Setup Menu Language	English, Italian, French, German, Spanish, Portuguese, Russian, Chinese, Japanese
Browser *2	Microsoft Edge, Firefox, Google Chrome

Network

Network IF	10BASE-T/100BASE-TX, RJ45 connector
Resolution	[16:9 mode(60 fps mode/ 30 fps mode/ 50 fps mode/ 25 fps mode)] 1920x1080/ 1280x720/ 640x360/ 320x180 [4:3 mode(30 fps mode/ 25 fps mode)] 1280x960/ VGA/ QVGA [4:3 mode(15 fps mode/ 12.5 fps mode)] 2048x1536* / 1280x960/ VGA/ QVGA *Used by super resolution techniques
H.265/H.264 Transmission Mode / Type *3	[Transmission Mode] Constant bit rate / VBR / Frame rate / Best effort [Transmission Type] Unicast port (AUTO) / Unicast port (MANUAL) / Multicast
JPEG	[Image Quality] 10 steps
Smart Coding	[GOP(Group of pictures) control] Off/ Low (Variable GOP 1s-8s) / Mid (Variable GOP 4s-16s) / Advanced (Fixed GOP 60 seconds with 1 second Key frame) / Frame rate control (Variable GOP 4s-16s with frame rate control) *Advanced and Frame rate control are only available with H.265. [Smart VIQS] On(High)/On(Low)/Off [Smart P-picture control] On/Off

Audio Compression	G.726 (ADPCM): 32 kbps/16 kbps , G.711: 64 kbps , AAC-LC: 64kbps/96kbps/128kbps *4
Supported Protocol	IPv6: TCP/IP, UDP/IP, HTTP, HTTPS, SSL/TLS, SMTP, DNS, NTP, SNMPv1/v2/v3, DHCPv6, RTP, MLD, ICMP, ARP, IEEE 802.1X, DiffServ, LLDP, FTP, SFTP, MQTT IPv4: TCP/IP, UDP/ IP, HTTP, HTTPS, SSL/TLS, RTSP, RTP, RTP/RTCP, SMTP, DHCP, DNS, DDNS, NTP, SNMPv1/v2/v3, UPnP, IGMP, ICMP, ARP, IEEE 802.1X, DiffServ, SRTP, LLDP, FTP, SFTP, MQTT
No. of Simultaneous Users	Up to 14 users (Depends on network conditions)
Secure	FIPS 140-2 level 3 (NXPR EdgeLock® SE050F), Device Certificate GlobalSign® pre-installed, HTTPS, User authentication, Digest authentication, Host authentication, IEEE802.1X, System log, Image transmission log, Brute-force protection, Alteration detection
SDXC/SDHC/SD Memory Card (Option)	microSDXC memory card: 64 GB,128 GB,256 GB,512 GB microSDHC memory card: 4 GB,8 GB,16 GB,32 GB , microSD memory card: 2 GB
Mobile Terminal Compatibility	iPad / iPhone (iOS 8.0 or later), Android™ mobile terminals
ONVIF®Profile	G / M / S / T

Alarm

Alarm Actions	SDXC/SDHC/SD memory recording, E-mail notification, HTTP alarm notification Indication on browser, TCP alarm notification output
---------------	--

General

Safety	UL (UL62368-1), c-UL (CSA C22.2 No.62368-1), CE, IEC62368-1
EMC	FCC (Part15 ClassA), ICES-003 ClassA, EN55032 ClassA, EN55035
Power Source	PoE (IEEE802.3af Compliant)
Power Consumption	PoE DC 48V: 180mA / approx. 8.6W (Class 0 device)
Ambient Operating Temperature	0 °C to +40 °C {32 °F to 104 °F}
Ambient Operating Humidity	10 % to 90 % (no condensation)
Water and Dust Resistance	-
Shock Resistance	IK10 (IEC 62262)
Wind Resistance	-
Dimensions	109 mm (W) x 53 mm (H) x119 mm (D) {4-19/64inches (W) x 2-3/32 inches (H) x 4-11/16 inches (D)}
Mass (approx.)	approx. 455g {1.00 lbs}
Finish	Main body: Aluminum die cast, i-PRO white Front panel: PC resin, Smoke
Other	Tamper-resistant enclosure *5

NOTES

*1 When 60 fps or 50 fps is selected, the Super Dynamic function is automatically set to off.

*2 For information on the operation verification of the web browsers, refer to our support website <Control No.: C0132>.

*3 Transmission for 4 streams can be individually set.

*4 When recording audio on an SD memory card, only use AAC-LC (Advanced Audio Coding - Low Complexity) .

*5 Component that has a structure on which the screws that are accessible after installation cannot be screwed or unscrewed using an ordinary screwdriver.

Important

– Safety Precautions : Carefully read the Basic Information,Installation Guide and Operating Instructions before using this product.
– i-PRO Co., Ltd. cannot be held responsible for the performance of the network and/or other manufacturers' products used on the network.

– Masses and dimensions are approximate.

– Specifications are subject to change without notice.

Trademarks and registered trademarks

- iPad and iPhone are trademarks of Apple Inc., registered in the U.S. and other countries. - Android is a trademark of Google LLC.
- ONVIF is a trademark of ONVIF, Inc.
- All other trademarks identified herein are the property of their respective owners

©i-PRO Co., Ltd All rights reserved / June 2023

OPTIONAL ACCESSORIES

Select a compatible accessory

[Accessory Selector \(i-pro.com\)](http://i-pro.com)



WV-QWL500-W
Mount Bracket



WV-QWL500-B
Mount Bracket



WV-QPL500-W
Mount Bracket



WV-QPL500-B
Mount Bracket



WV-QJB502A-W
Mount Bracket



WV-QJB502A-B
Mount Bracket



WV-QJB500-W
Mount Bracket



WV-QJB500-B
Mount Bracket



WV-QCN500-W
Mount Bracket



WV-QCN500-B
Mount Bracket



WV-QCL101-W
Mount Bracket



WV-QCL101-B
Mount Bracket



WV-QAT502-W
Gangbox Adapter



WV-QAT502-G
Gangbox Adapter



WV-SDB256G
i-PRO SD Memory Card



WV-SDB128G
i-PRO SD Memory Card



WV-SDB064G
i-PRO SD Memory Card

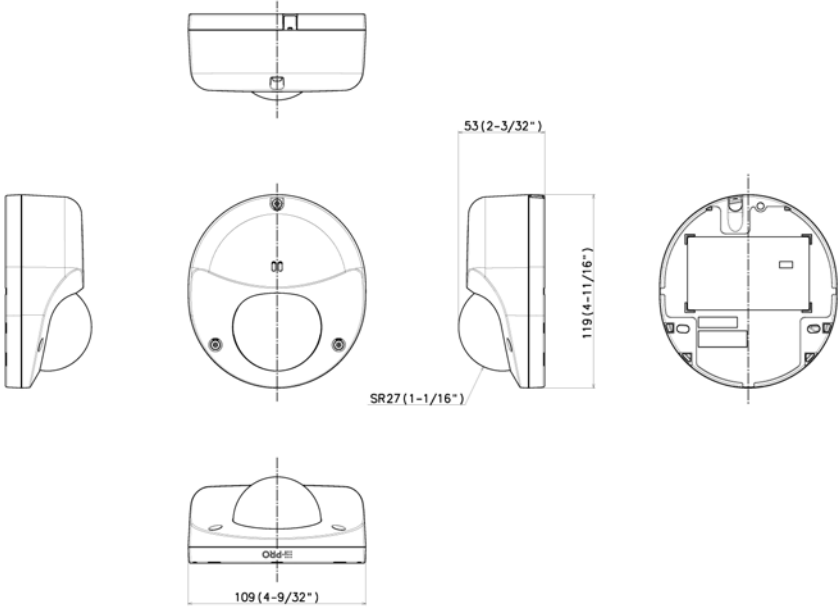


WV-SDB032G
i-PRO SD Memory Card



WV-QDC505C
Dome Cover

APPEARANCE



Mass : Approx. 550 g (1.21 lbs)

