

# WV-S2136LA

2MP (1080p) Indoor Dome Network Camera with AI engine

## S-series 2MP Network camera with AI engine



- 2MP Indoor dome camera
- Up to 2 Edge AI analytic apps
- Built-in IR-LED(70m, 230ft)
- Built-in FIPS 140-2 Level 3 Certified SecureElement(EdgeLock® SE050F NXP® Semiconductors)
- NDAA Compliant



# SPECIFICATIONS

Camera	
Image Sensor	Approx. 1/2.8 type CMOS image sensor
Scanning Area	5.57 mm (H) × 3.13 mm (V) {7/32 inches (H) × 1/8 inches (V)}
Minimum Illumination	Color : 0.007 lx (30IRE, F1.3, 1/30s) / Color : 0.009 lx (50IRE, F1.3, 1/30s) BW : 0.006 lx (50IRE, F1.3, 1/30s) / BW : 0 lx(50IRE, F1.3,1/30s with IR LED)
White Balance	ATW1 / ATW2 / AWC
Shutter Speed	[60 fps Mode] 1/60 Fix to 1/10000 Fix, [30fps/15fps mode] 1/30 Fix to 1/10000 Fix [50 fps Mode] 1/50 Fix to 1/10000 Fix, [25fps/12.5fps mode] 1/25 Fix to 1/10000 Fix
i-PRO Intelligent Auto	On / Off
i-PRO Super Dynamic	On / Off, The level can be set in the range of 0 to 31.
Dynamic Range	Max.144 dB (Super Dynamic : On, Level 31)
Adaptive Black Stretch	The level can be set in the range of 0 to 255.
Back light compensation / High light compensation	BLC (Back light compensation) / HLC (High light compensation) / Off (only when Super dynamic / Intelligent Auto : Off)
Fog Compensation	On / Off (only when Intelligent auto / auto contrast adjust : Off)
Maximum Gain (AGC)	The level can be set in the range of 0 to 11.
Color/BW (ICR)	Off / On (IR Light Off) / On (IR Light On) / Auto1 (IR Light Off) / Auto2 (IR Light On) / Auto3 (SCC)
IR LED Light	High / Middle / Low / Off, Maximum irradiation distance : 70 m {Approx. 230 ft} (30IRE) / 50 m {Approx. 164 ft} (50IRE)
Digital Noise Reduction (DNR)	The level can be set in the range of 0 to 255.
Video Motion Detection (VMD)	On / Off, 4 areas available
Scene Change Detection	On / Off, 1 areas available
Audio Detection	On / Off
AI Sound classification	Gunshot, Yell, Vehicle horn, Glass break
AI Analytics	AI Video Motion Detection, AI Privacy Guard, AI Face Detection, AI People Detection, AI Vehicle Detection, AI Non mask Detection, AI Occupancy Detection, AI Scene Change Detection  For details : <a href="https://i-pro.com/products_and_solutions/en/surveillance/products/analytics-software">https://i-pro.com/products_and_solutions/en/surveillance/products/analytics-software</a> 3rd party applications are also available. <a href="https://i-pro.com/products_and_solutions/en/surveillance/solutions/edge-ai-platform/application-list">https://i-pro.com/products_and_solutions/en/surveillance/solutions/edge-ai-platform/application-list</a>
Privacy Zone	On / Off, Up to 8 zones available
VIQS	On / Off, Up to 8 zones available
Image rotation	0 ° / 90 ° / 180 ° / 270 °
Camera Title (OSD)	On / Off, Up to 40 characters (alphanumeric characters, marks)
Focus Adjustment	Auto focus / Manual
Lens	
Optical Zoom	3.1 x (Motorized zoom / Motorized Focus)
Extra zoom	3.1x - 9.3x (when resolution is 640 x 360)
Focal Length	2.9 - 9 mm {1/8 inches - 13/32 inches}
Angular Field of View	Horizontal : 36° (TELE) - 115° (WIDE), Vertical : 20° (TELE) - 61° (WIDE)

Maximum Aperture Ratio	1 : 1.3 (WIDE) – 1 : 2.5 (TELE)
Focusing Range	0.3 m {11-13/16 inches} – ∞
<b>DORI</b>	
Detect (25ppm / 8ppt)	Wide: 24.5 m / 80.3 ft, Tele: 118.2 m / 387.7 ft
Observe (62.5ppm / 19ppt)	Wide: 9.8 m / 32.1 ft, Tele: 47.3 m / 155.1 ft
Recognize (125ppm / 38ppt)	Wide: 4.9 m / 16.1 ft, Tele: 23.6 m / 77.5 ft
Identify (250ppm / 76ppt)	Wide: 2.4 m / 8.0 ft, Tele: 11.8 m / 38.8 ft
<b>System on Chip (SoC)</b>	
System on Chip (SoC)	Ambarella CV25M
<b>Adjusting Angle</b>	
Adjusting Angle	Horizontal : -240 to +120°, Vertical : -30 to +85°, Yaw : ±100°
<b>Browser GUI</b>	
Camera Control	Brightness, AUX On / Off
Audio	Mic (Line) Input : On / Off Volume adjustment : Low / Middle / High Audio Output : On / Off Volume adjustment : Low / Middle / Hig
GUI / Setup Menu Language	English, Italian, French, German, Spanish, Portuguese, Russian, Chinese, Japanese
<b>Network</b>	
Network IF	10Base-T / 100Base-TX, RJ45 connector
Resolution H.265/ H.264/ JPEG (MJPEG)	[16:9 mode (60 fps mode)] , [16:9 mode (30 fps mode)], [16:9 mode (50 fps mode)] , [16:9 mode (25 fps mode)] : 1920x1080, 1280x720, 640x360, 320x180 [4:3 mode(30 fps mode)] , [4:3 mode (25 fps mode)] : 1280x960, VGA, QVGA [4:3 mode(15 fps mode)] , [4:3 mode (12.5 fps mode)] : 2048x1536, 1280x960, VGA, QVGA
JPEG - Image Quality	10 steps
i-PRO Smart Coding	GOP (Group of pictures control) : Off/ Low (Variable GOP 1s-8s)/ Mid (Variable GOP 4s-16s) / Advanced(Fixed GOP 60s w/1s key-frame) / Frame rate control (Variable GOP 4s-16s with frame rate control) *Advanced and Frame rate control are only available with H.265. Smart VIQS: On(High)/On(Low)/Off, Smart P-picture control: On/Off
Audio Compression	G.726 (ADPCM) : 16 kbps / 32 kbps , G.711 : 64 kbps , AAC-LC : 64 kbps / 96 kbps / 128 kbps
Audio Transmission Mode	Off / Mic (Line) input / Audio output / Interactive (Half duplex) / Interactive (Full duplex)
Supported Protocol	IPv6 : TCP/IP, UDP/IP, HTTP, HTTPS, SSL/TLS, SMTP, DNS, NTP, SNMPv1/v2/v3, DHCPv6, RTP, MLD, ICMP, ARP, IEEE 802.1X, DiffServ, FTP, SFTP, MQTT, LLDP IPv4 : TCP/IP, UDP/IP, HTTP, HTTPS, SSL/TLS, RTSP, RTP, RTP/RTCP, SMTP, DHCP, DNS, DDNS, NTP, SNMPv1/v2/v3, UPnP, IGMP, ICMP, ARP, IEEE 802.1X, DiffServ, SRTP, FTP, SFTP, MQTT, LLDP
No. of Simultaneous Users	Up to 14 users (Depends on network conditions)
Secure	FIPS 140-2 level 3 (NXP® EdgeLock® SE050F), Device Certificate GlobalSign® pre-installed, HTTPS, User authentication, Digest authentication, Host authentication, IEEE802.1X, System log, Image transmission log, Brute-force protection, Alteration detection
SDXC/SDHC/SD Memory Card (Option)	H.265 / H.264 recording : Manual REC / Alarm REC (Pre/Post) / Schedule REC / Backup upon network failure JPEG recording : Manual REC / Alarm REC (Pre/Post) / Backup upon network failure Available SDXC/SDHC/SD Memory Card : microSDXC memory card: 64 GB, 128 GB, 256 GB, 512 GB microSDHC memory card: 4 GB, 8 GB, 16 GB, 32 GB microSD memory card: 2 GB
Mobile Terminal Compatibility	iPad, iPhone, Android™ terminals
ONVIF Profile	G / M / S / T

Alarm	
Alarm Source	3 terminals input, VMD alarm, Command alarm, Audio detection alarm
Alarm Actions	SDXC/SDHC/SD memory recording, E-mail notification, HTTP alarm notification Indication on browser, Panasonic alarm protocol output
Input/Output	
Monitor Output (for Adjustment)	VBS : 1.0 V [p-p] / 75 Ω, composite, Pin jack An NTSC or PAL signal can be outputted from camera
Audio input	ø3.5 mm stereo mini jack For microphone input : Recommended applicable microphone : Plug-in power type (Sensitivity of microphone : -48 dB±3 dB (0 dB=1 V/Pa, 1 kHz)) Input impedance : Approx. 2 kΩ (unbalanced) Supply voltage : 2.5 V ±0.5 V For line input : Input level : Approx. -10 dBV
Audio Output	ø3.5 mm stereo mini jack (monaural output) Output impedance : Approx. 600 Ω (unbalanced) / Output level : -20 dBV
External I/O Terminals (Cable)	ALARM IN 1 (Black & white input, Auto time adjustment input) (x1), ALARM IN 2 (ALARM OUT) (x1), ALARM IN 3 (AUX OUT) (x1)
General	
Safety	UL (UL62368-1), c-UL (CSA C22.2 No.62368-1), CE, IEC62368-1
EMC	FCC (Part15 ClassA), ICES-003 ClassA, EN55032 ClassB, EN55035
Power Source and Power Consumption	DC power supply : DC12 V 720 mA, Approx. 8.6 W PoE (IEEE802.3af compliant) Device :DC48 V 180 mA, Approx. 8.7 W (Class 0 device)
Ambient Operating Temperature	-10 °C to +50 °C (14 °F to 122 °F)
Ambient Operating Humidity	10 to 90 % (no condensation)
Dimensions	ø129.5 mm x 101 mm (H) {ø5-3/32 inches x 3-31/32 inches (H)} Dome radius 40 mm {1-9/16 inches}
Mass (Approx.)	Approx. 470 g {1.04 lbs.}
Finish	Main body : ABS resin, i-PRO white / Dome section : Acrylic resin, Clear

## NOTES

### Important

- Safety Precautions : Carefully read the Basic Information, Installation Guide and Operating Instructions before using this product.
- i-PRO Co., Ltd. cannot be held responsible for the performance of the network and/or other manufacturers' products used on the network.
- Masses and dimensions are approximate.
- Specifications are subject to change without notice.

### Trademarks and registered trademarks

- iPad and iPhone are trademarks of Apple Inc., registered in the U.S. and other countries. - Android is a trademark of Google LLC.
- ONVIF is a trademark of ONVIF, Inc.
- All other trademarks identified herein are the property of their respective owners

## OPTIONAL ACCESSORIES

Select a compatible accessory

[Accessory Selector \(i-pro.com\)](http://i-pro.com).



WV-Q105A  
Mount Bracket



WV-QAT500-W  
Attachment pipe



WV-QAT501-W  
Attachment Pipe  
Bracket



WV-QCL100-W  
Mount Bracket



WV-QCL101-W  
Mount Bracket



WV-QCL501-W  
Mount Bracket



WV-QCN500-W  
Mount Bracket



WV-QEM100-W  
Mount Bracket



WV-QJB500-W  
Mount Bracket



WV-QPL500-W  
Mount Bracket



WV-QSR100-W  
Sun Shade



WV-QSR501-W  
Mount Bracket



WV-QWL500-W  
Mount Bracket



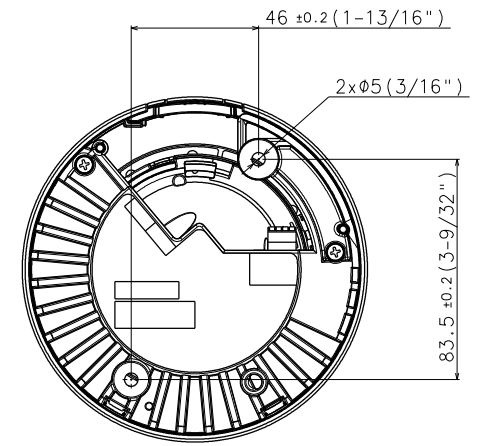
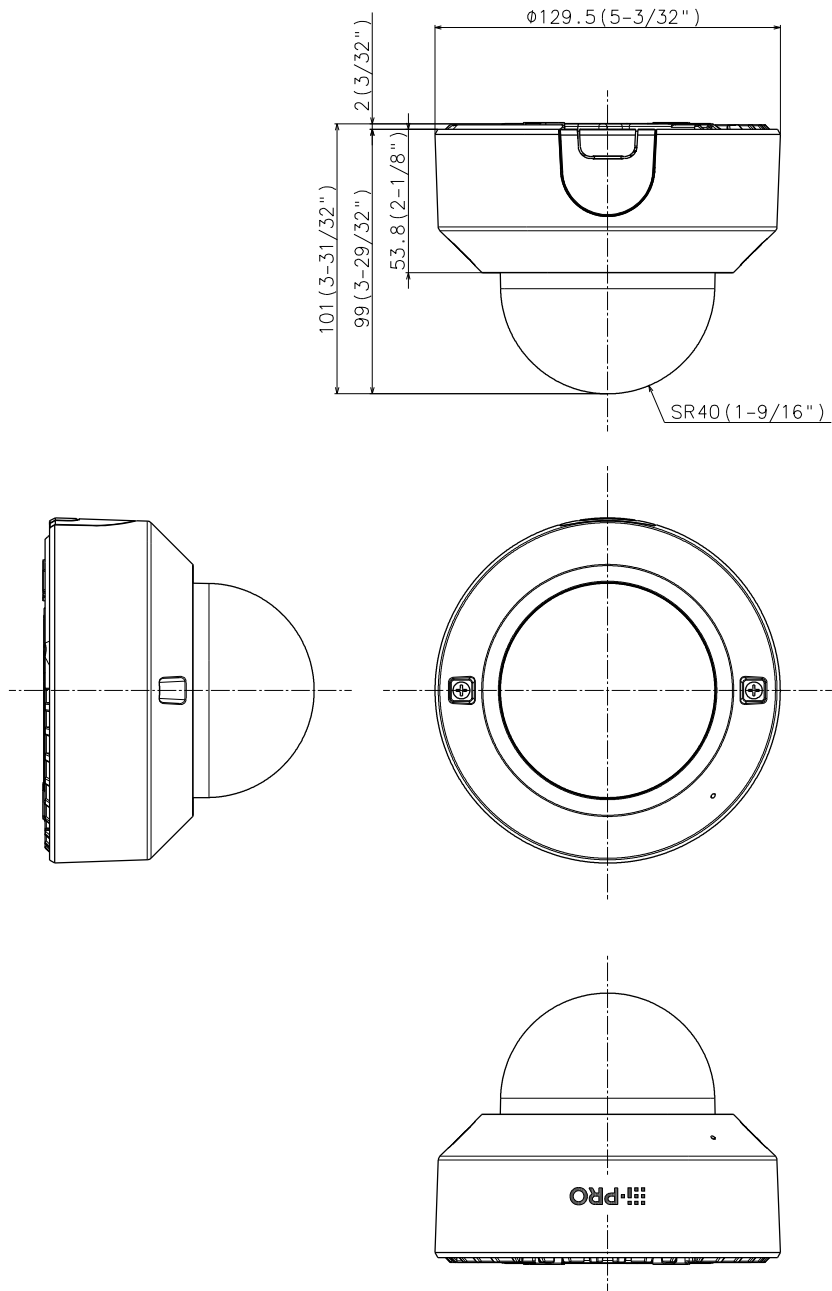
WV-QWL501-W  
Mount Bracket



WV-CF55A  
Dome Cover



WV-PM500  
Compact microphone  
unit for surveillance  
cameras



Mass : Approx. 470 g {1.04 lbs}