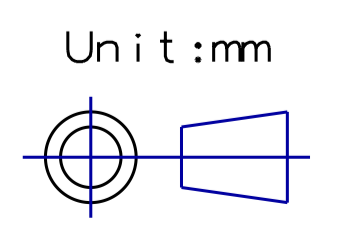
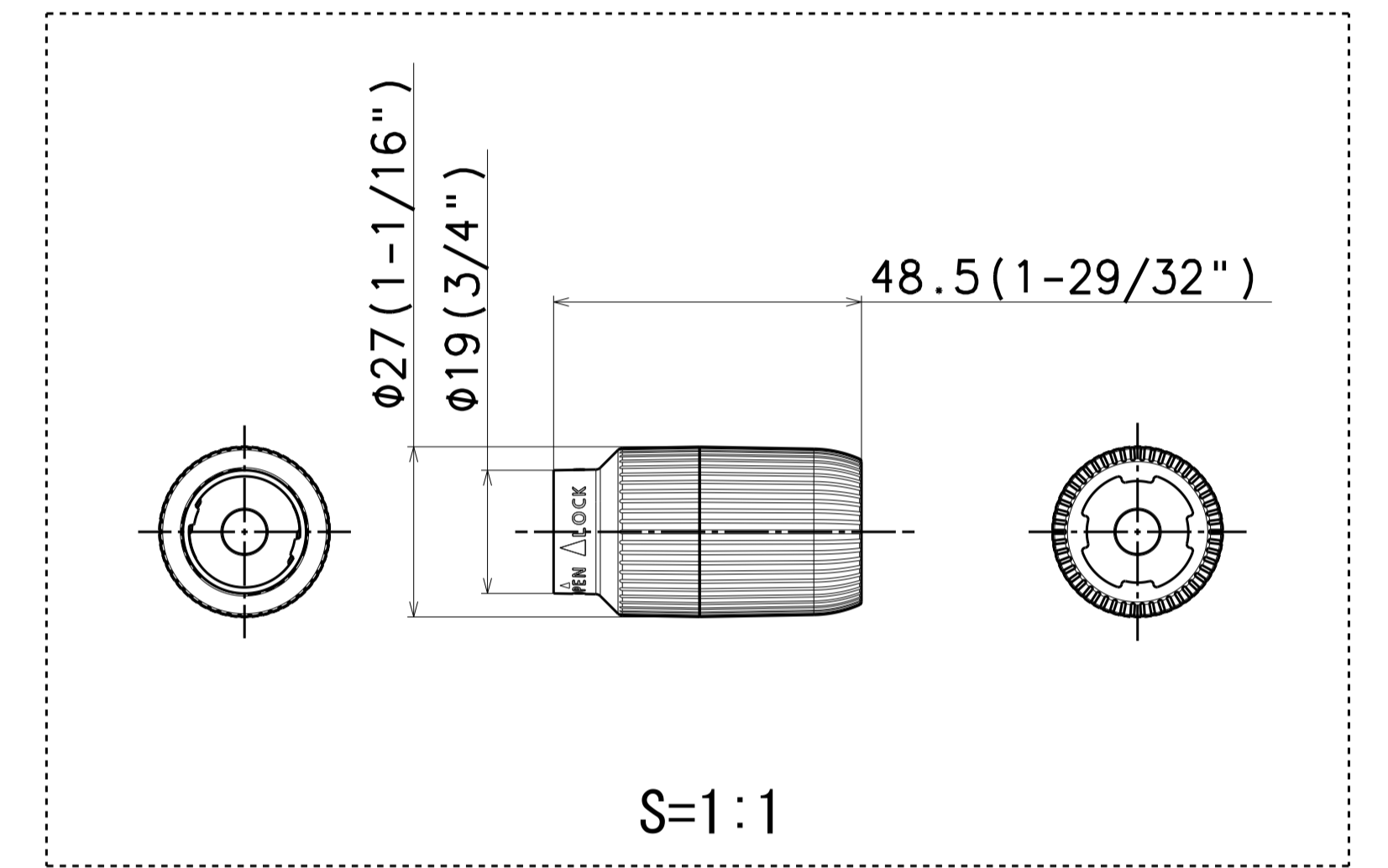
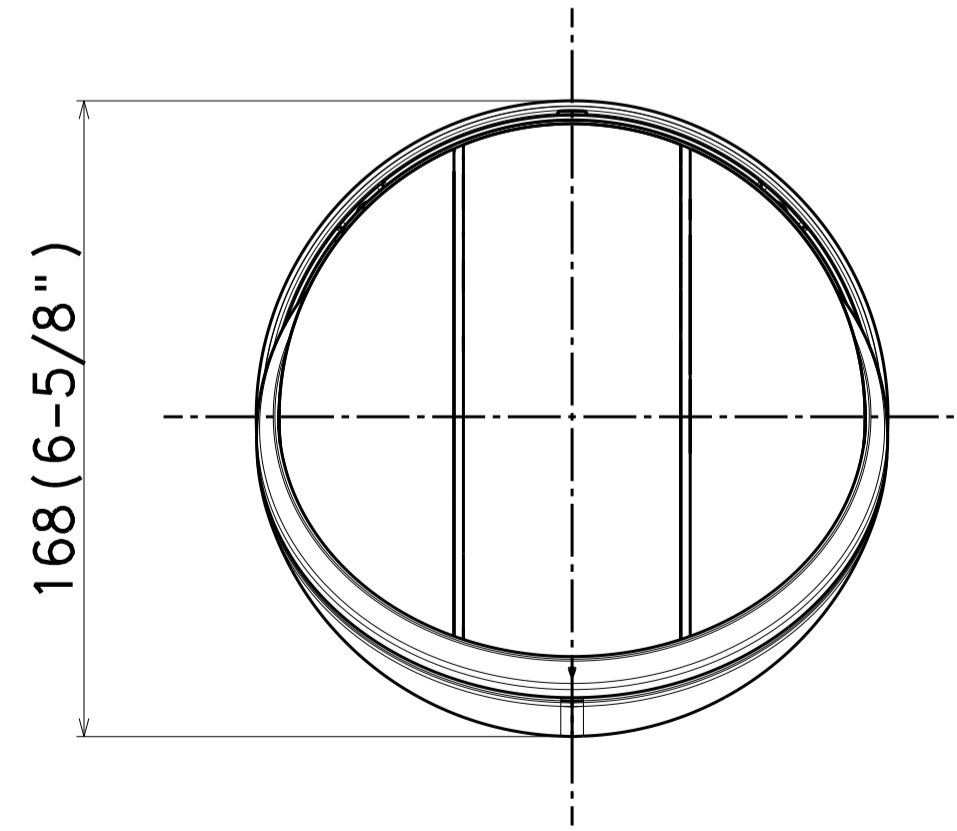
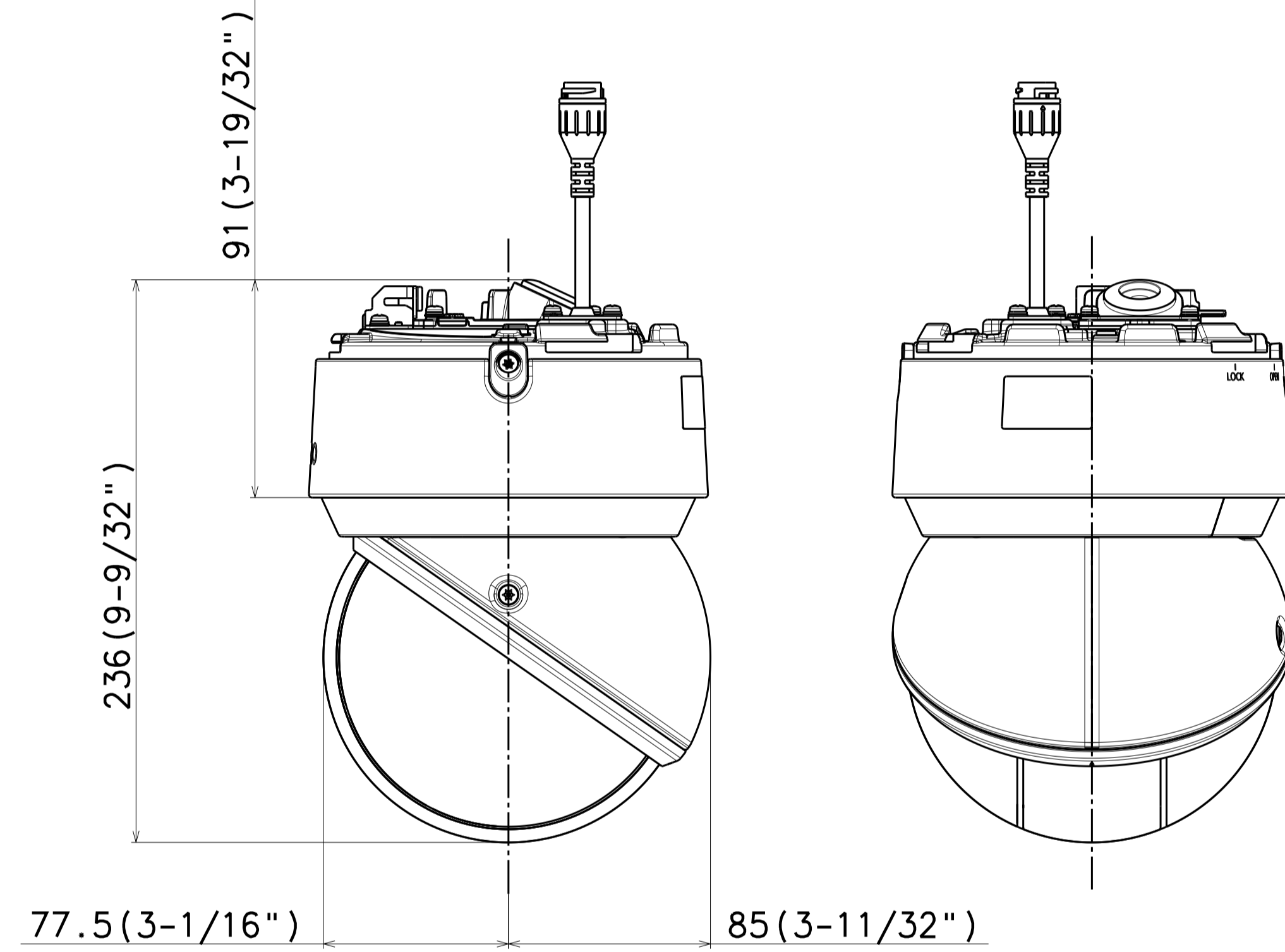
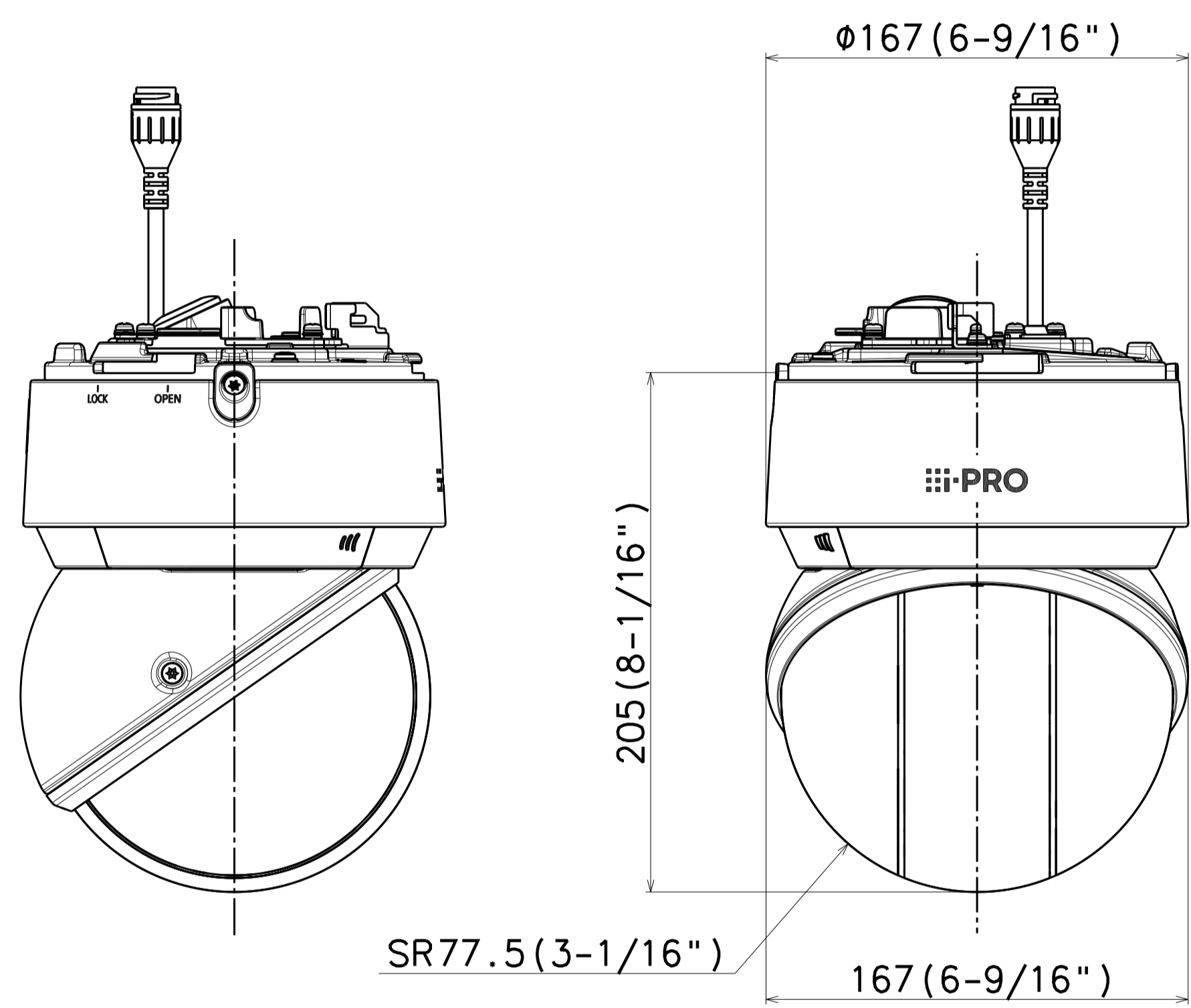
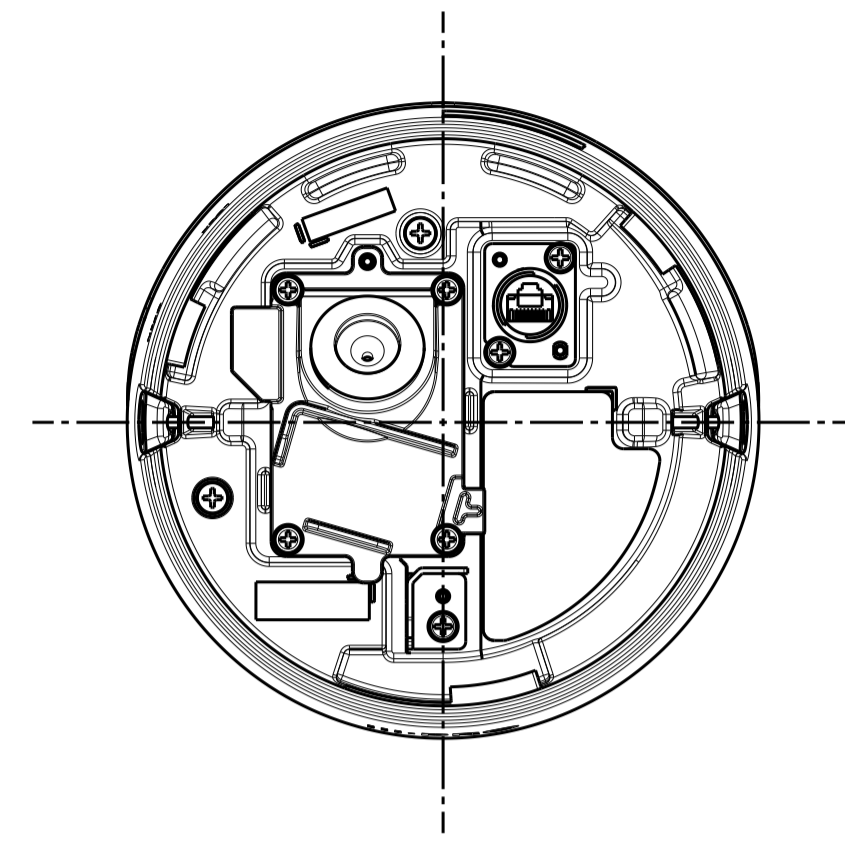


	投影面積/Projected area
正面図/Front-view	0.029 (m <sup>2</sup> )
側面図/Side-view	0.029 (m <sup>2</sup> )

Mass : Approx. 3 kg {6.62 lbs}

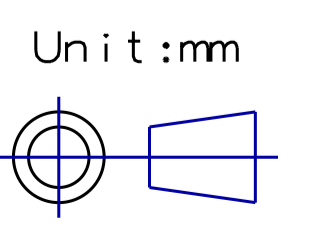


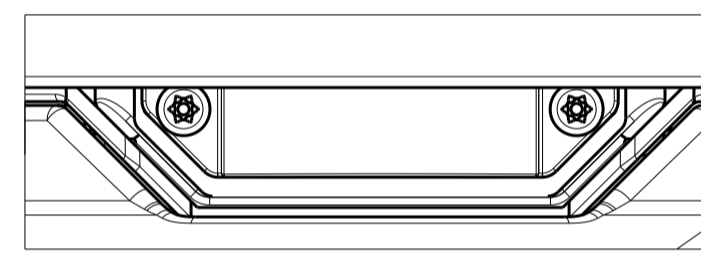
耐重塩害モデル  
Heavy salt damage version



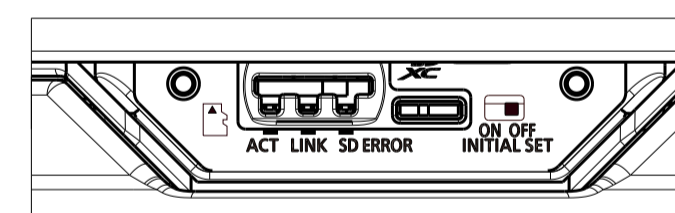
	投影面積/Projected area
正面図/Front-view	0.029 (m <sup>2</sup> )
側面図/Side-view	0.029 (m <sup>2</sup> )

Mass : Approx. 3 kg {6.62 lbs}

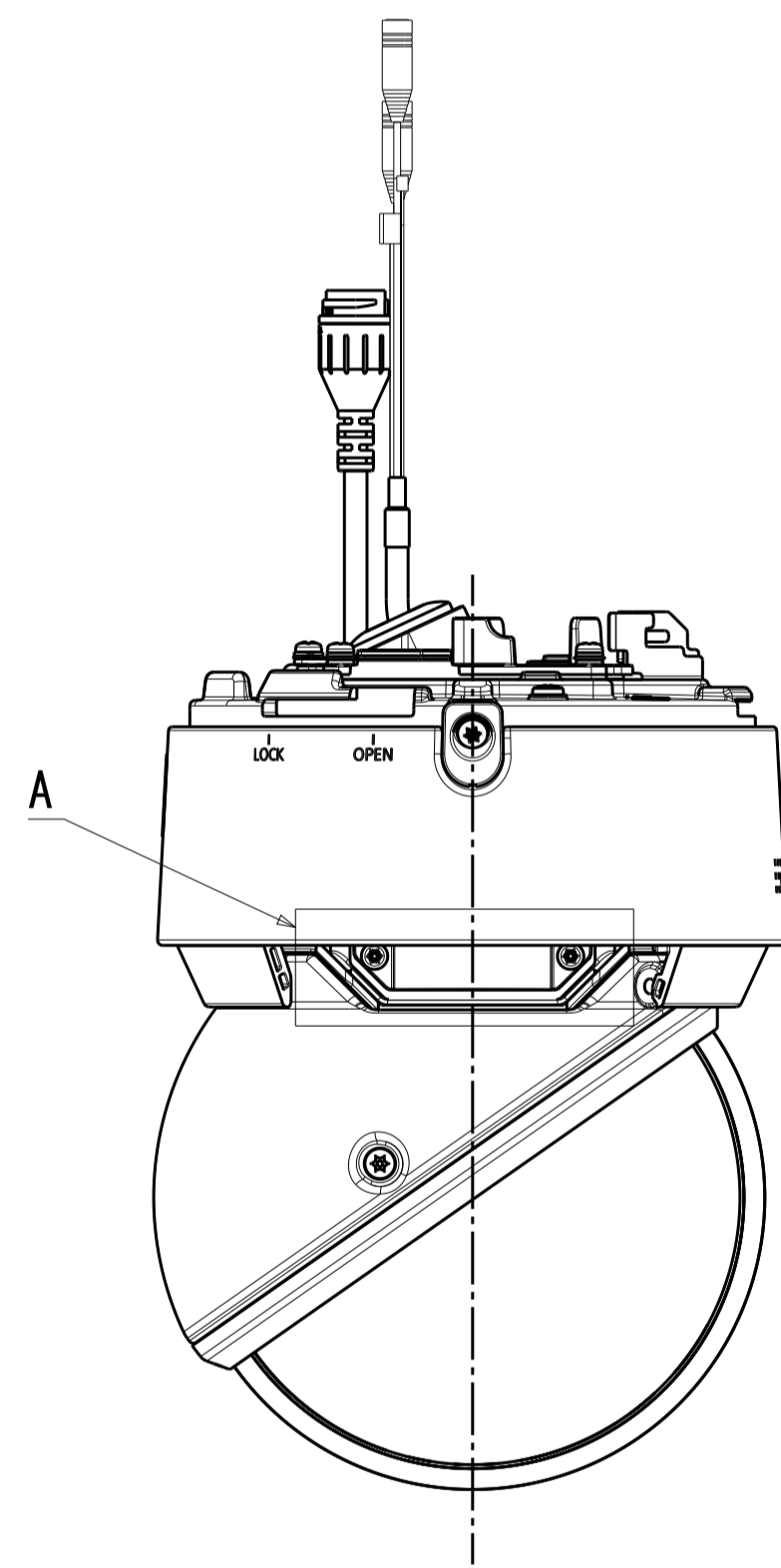




Detail A  
S=1:1

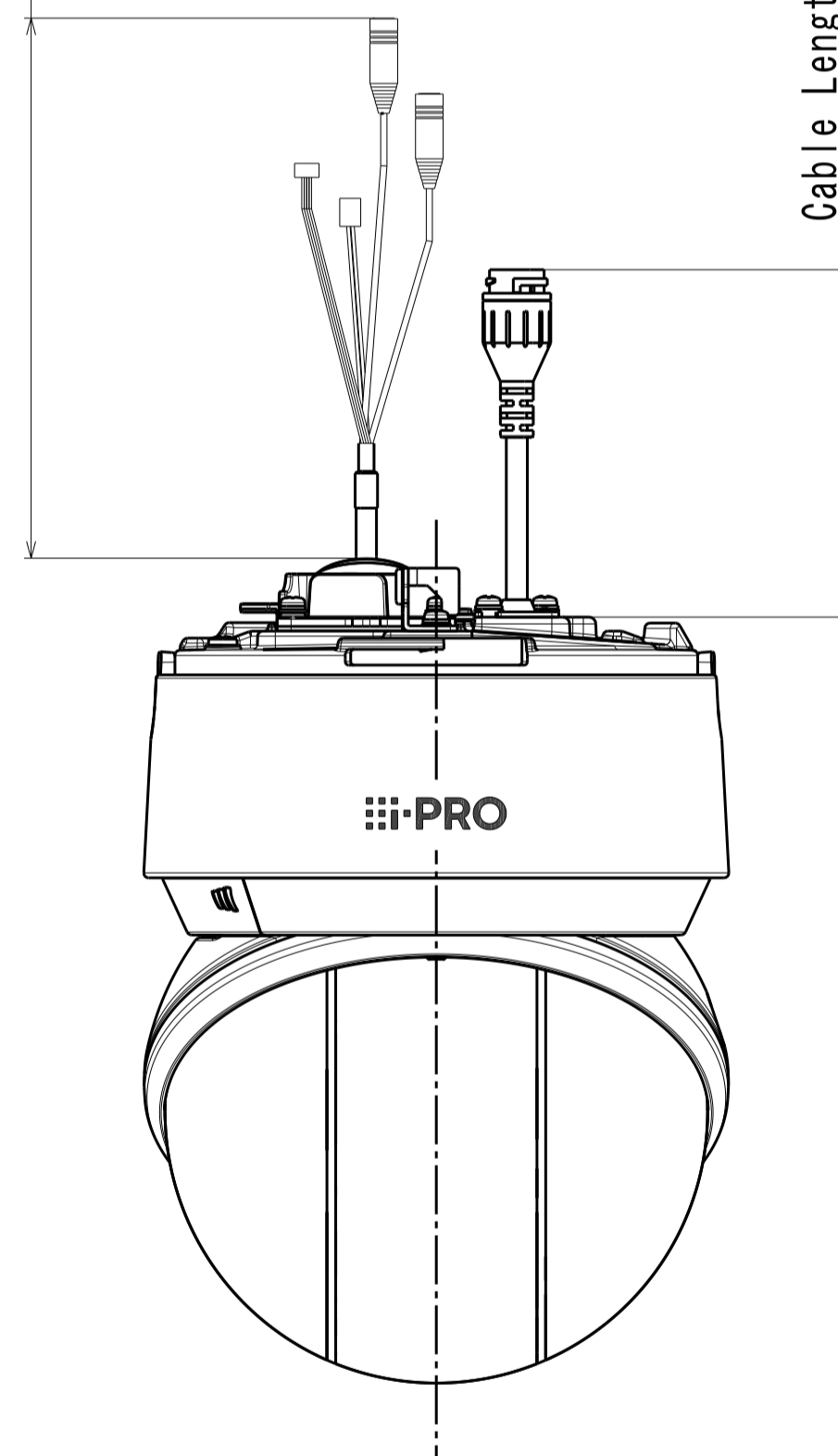


Inside the SD cover  
S=1:1



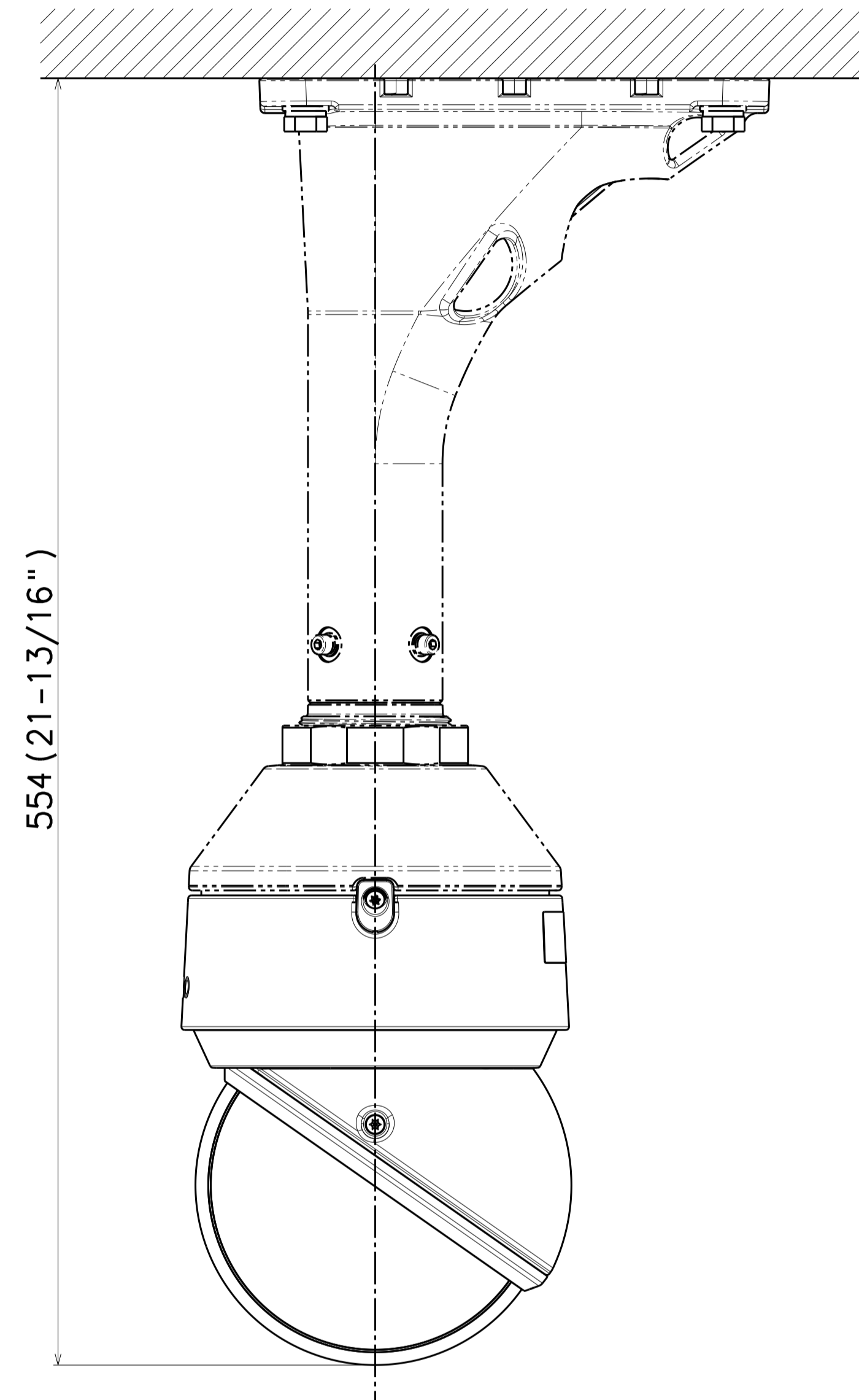
Inside the Decorative cover B

Cable Length from outline : Approx. 300 (11-13/16")



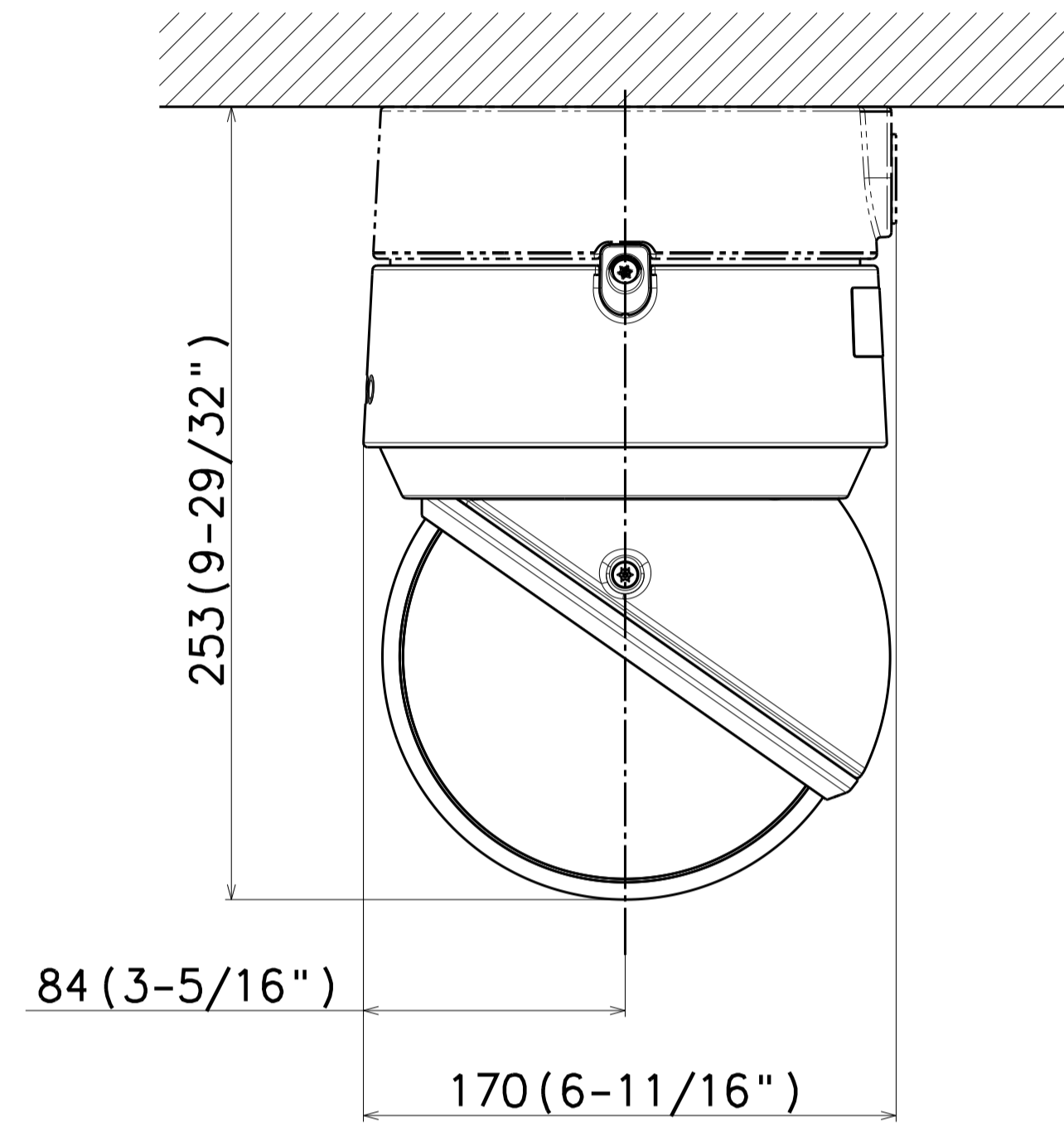
Cable Length from outline : Approx. 130 (5-1/8")

金具との組み合わせ例  
Example of combination with bracket



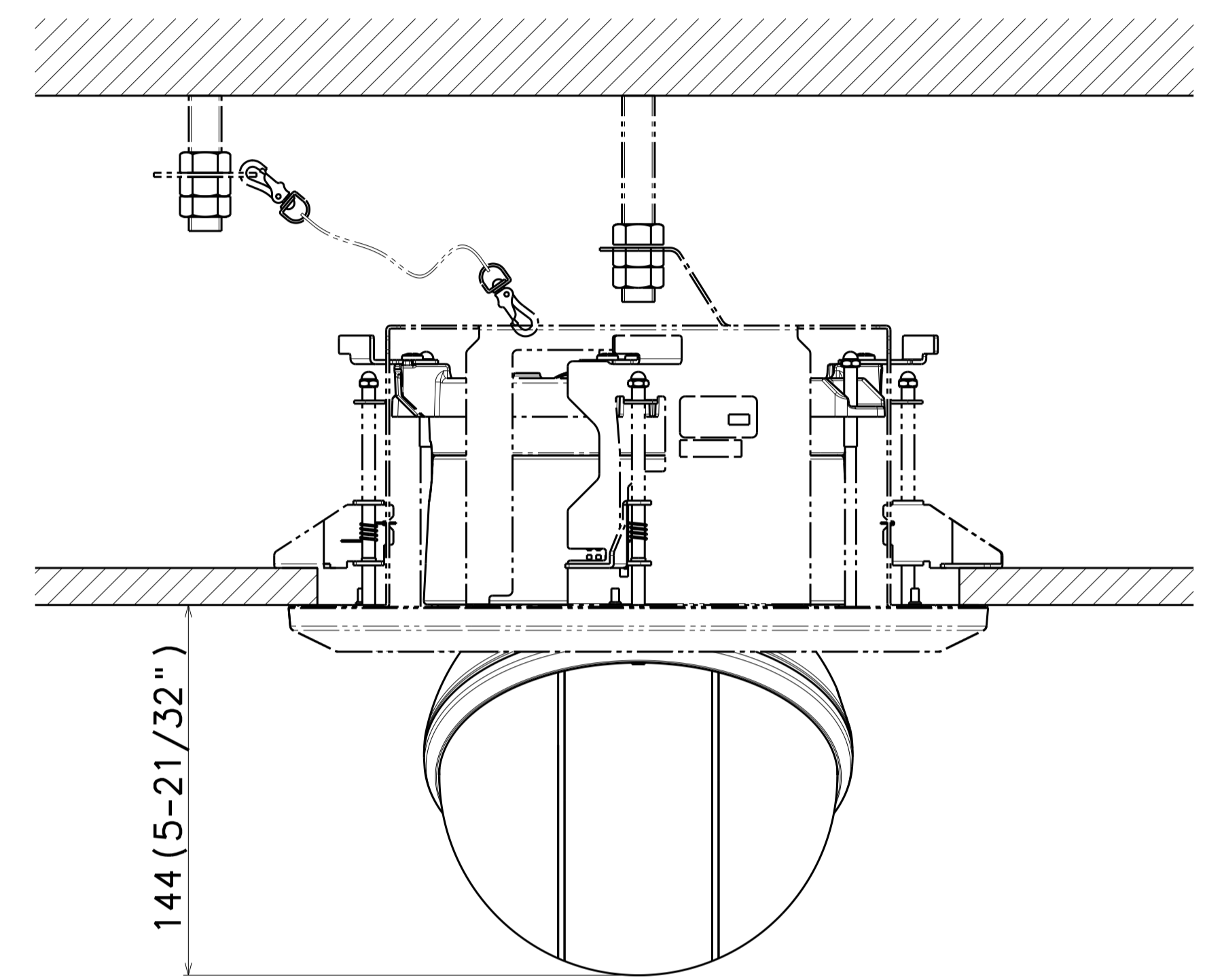
Attach to WV-QCL501-W & WV-QSR506-W

	投影面積/Projected area
正面図/Front-view	0.055 (m <sup>2</sup> )
側面図/Side-view	0.063 (m <sup>2</sup> )



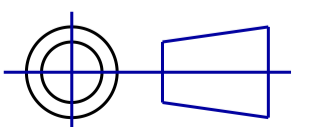
Attach to WV-QJB505-W

	投影面積/Projected area
正面図/Front-view	0.037 (m <sup>2</sup> )
側面図/Side-view	0.037 (m <sup>2</sup> )

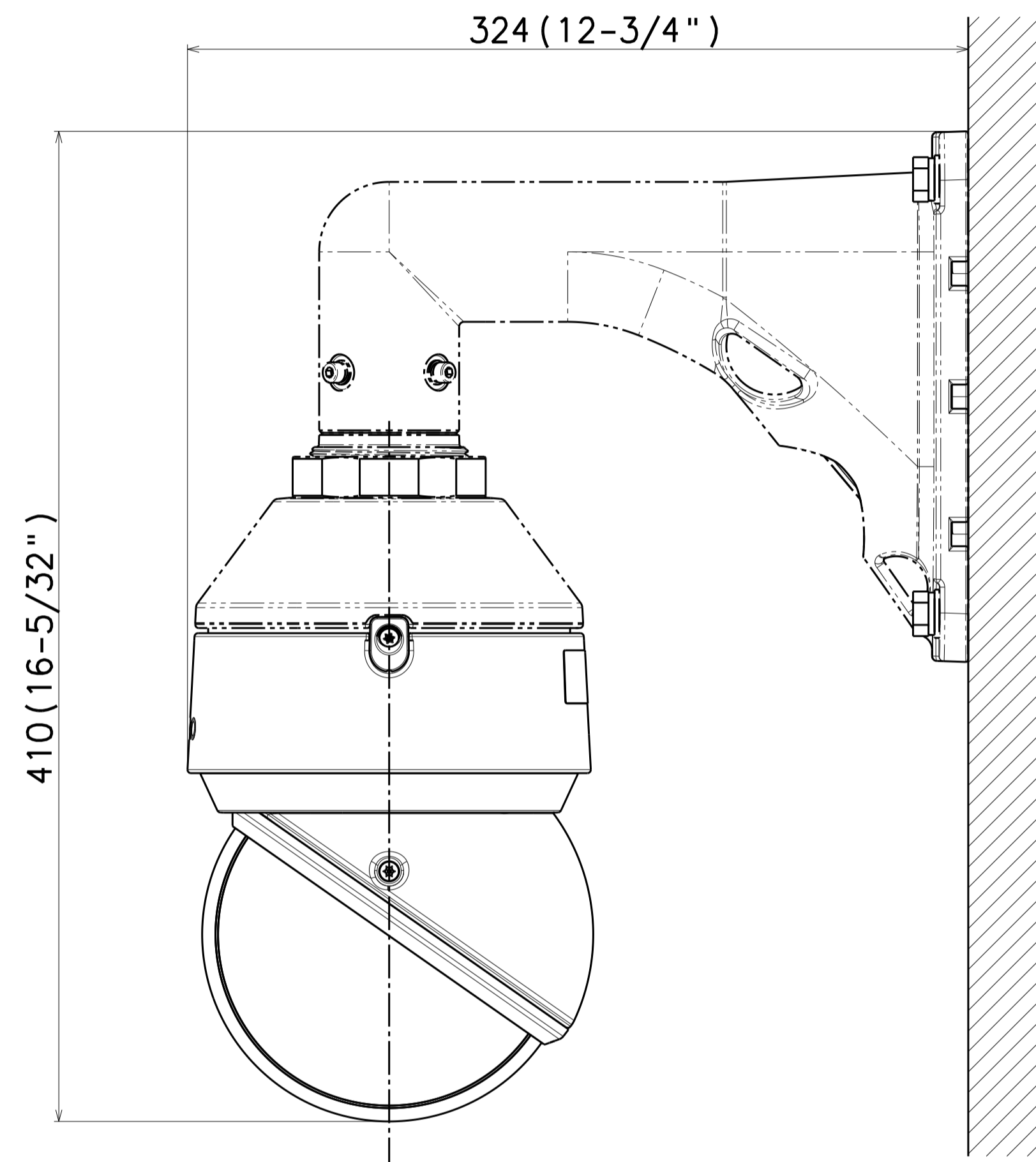


Attach to WV-QEM505-W

Unit:mm

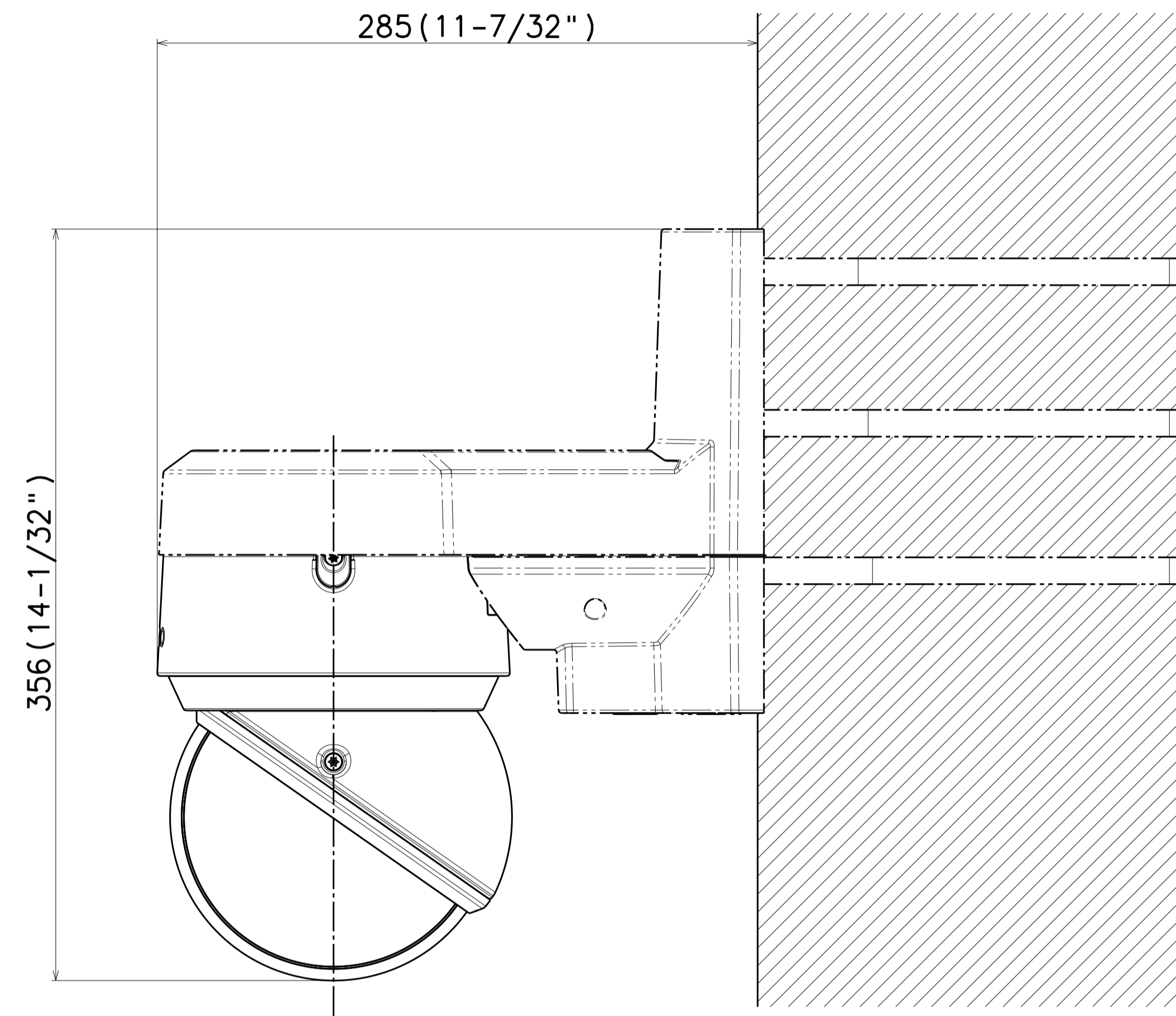


金具との組み合わせ例  
Example of combination with bracket



Attach to WV-QWL501-W & WV-QSR506-W

	投影面積/Projected area
正面図/Front-view	0.055 (m <sup>2</sup> )
側面図/Side-view	0.066 (m <sup>2</sup> )
平面図/Top-view	0.032 (m <sup>2</sup> )

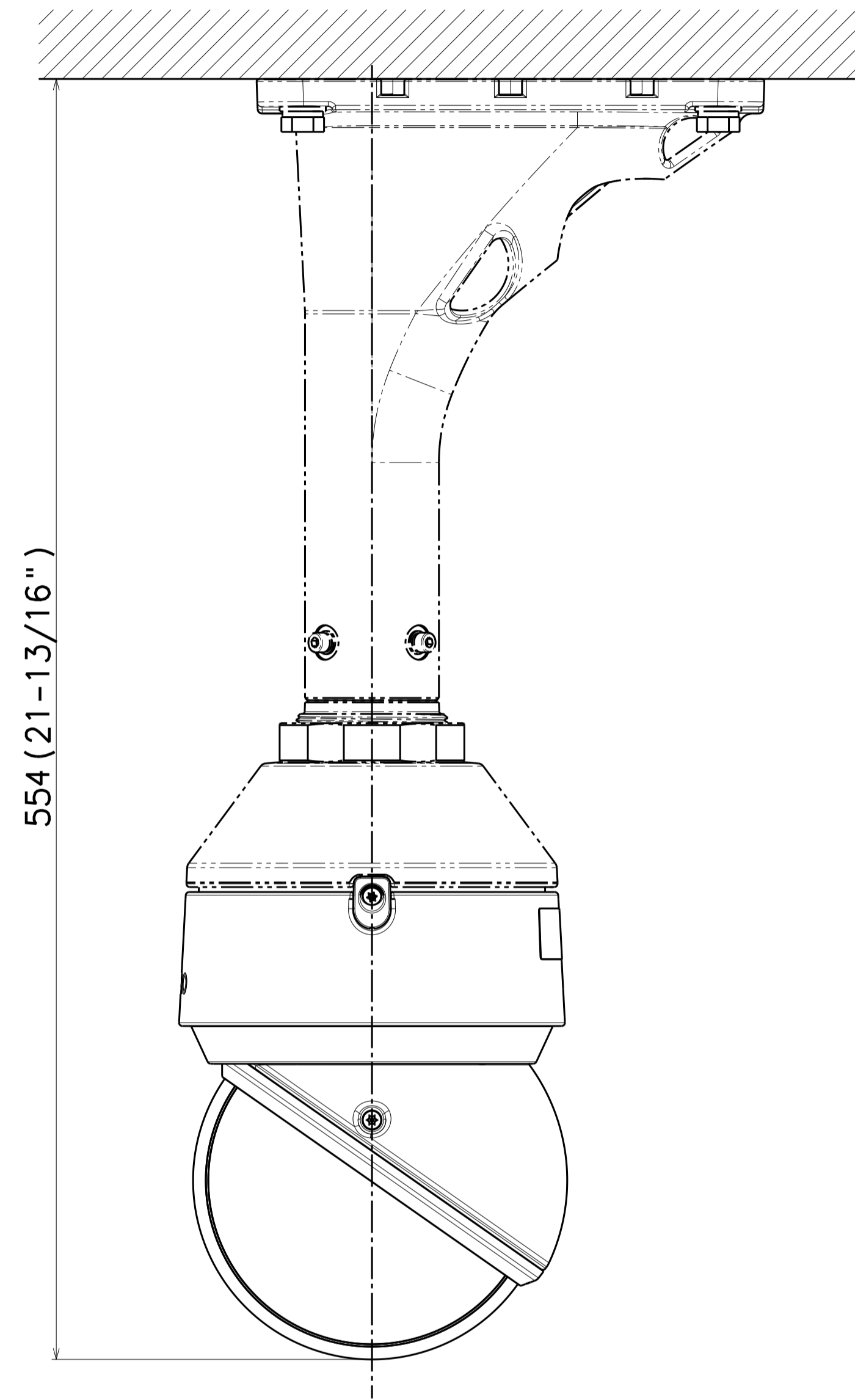


Attach to WV-QWL502-W

	投影面積/Projected area
正面図/Front-view	0.051 (m <sup>2</sup> )
側面図/Side-view	0.057 (m <sup>2</sup> )
平面図/Top-view	0.038 (m <sup>2</sup> )

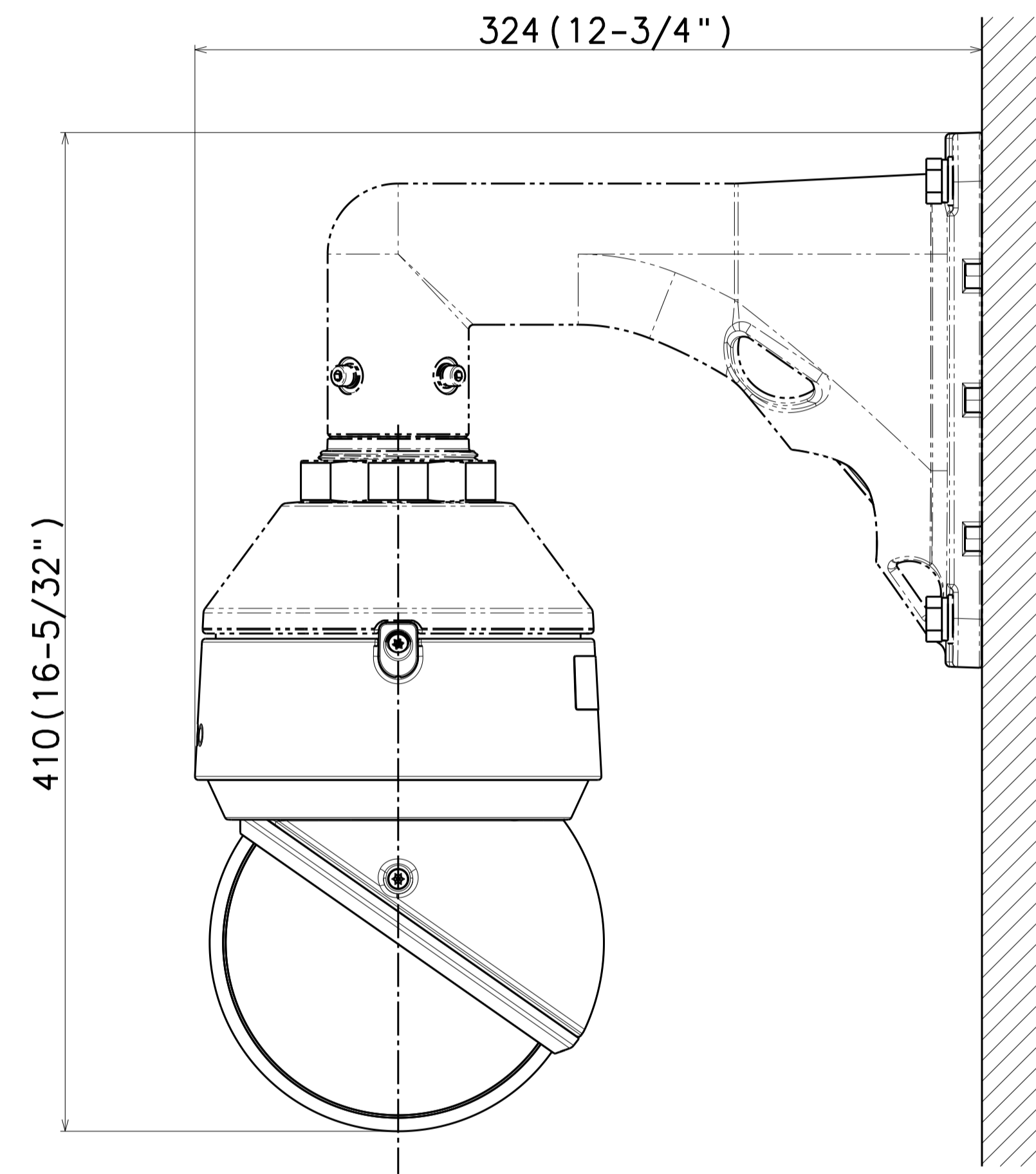
金具との組み合わせ例  
Example of combination with bracket

耐重塩害モデル  
Heavy salt damage version



Attach to WV-QCL501S-W & WV-QSR506S-W

	投影面積/Projected area
正面図/Front-view	0.055 (m <sup>2</sup> )
側面図/Side-view	0.063 (m <sup>2</sup> )



Attach to WV-QWL501S-W & WV-QSR506S-W

	投影面積/Projected area
正面図/Front-view	0.055 (m <sup>2</sup> )
側面図/Side-view	0.066 (m <sup>2</sup> )
平面図/Top-view	0.032 (m <sup>2</sup> )

Unit:mm

