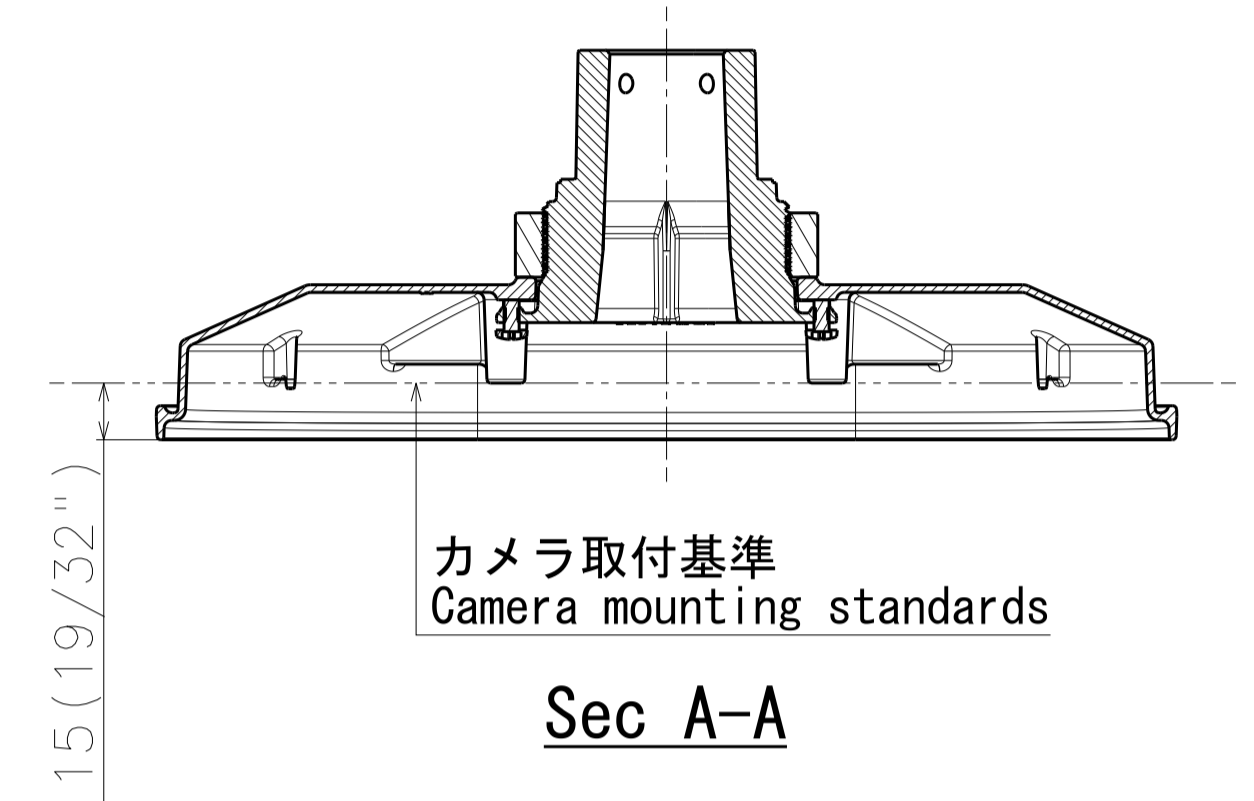
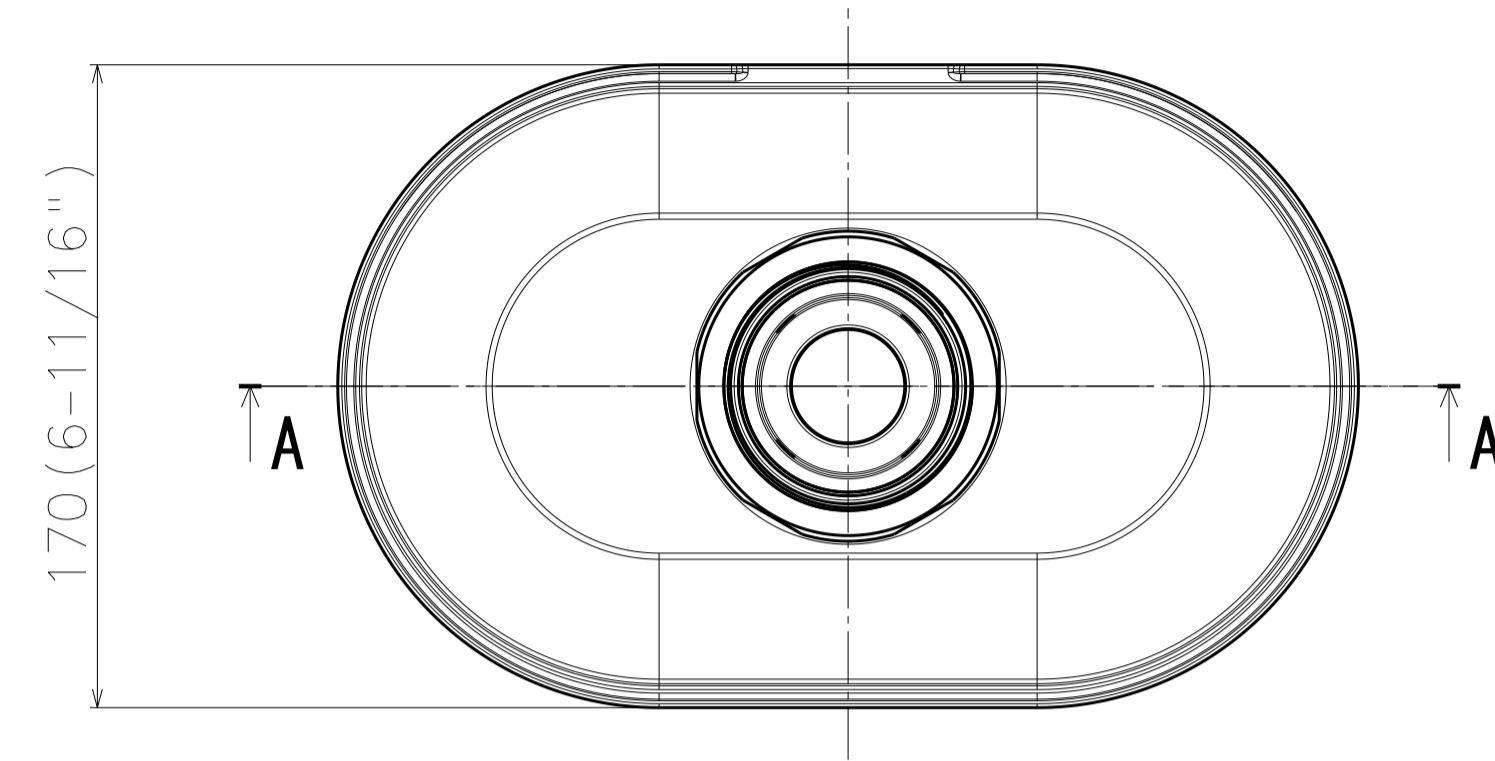
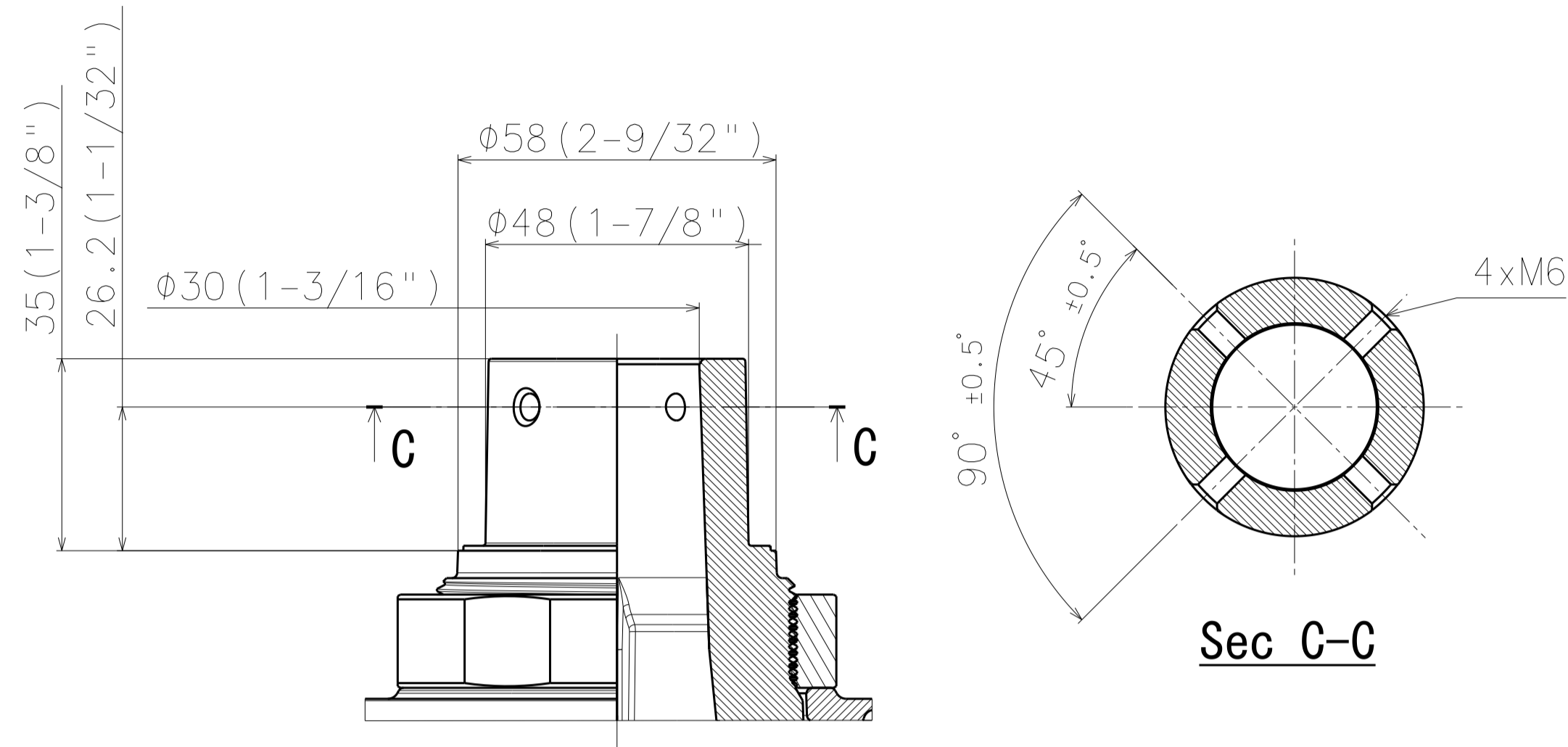


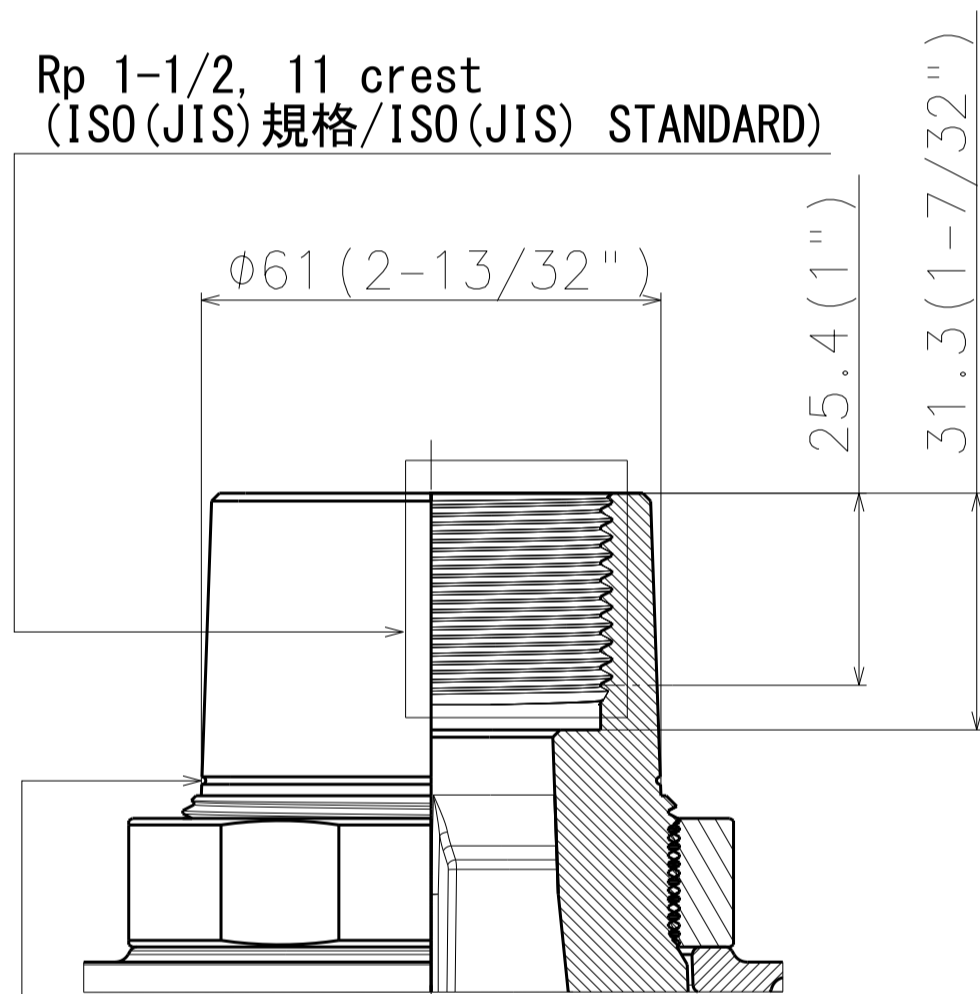
Detail B (S=1:1)  
Bracket connector fixing screw type

WV-QSR507-\*



WV-QSR507F-\*

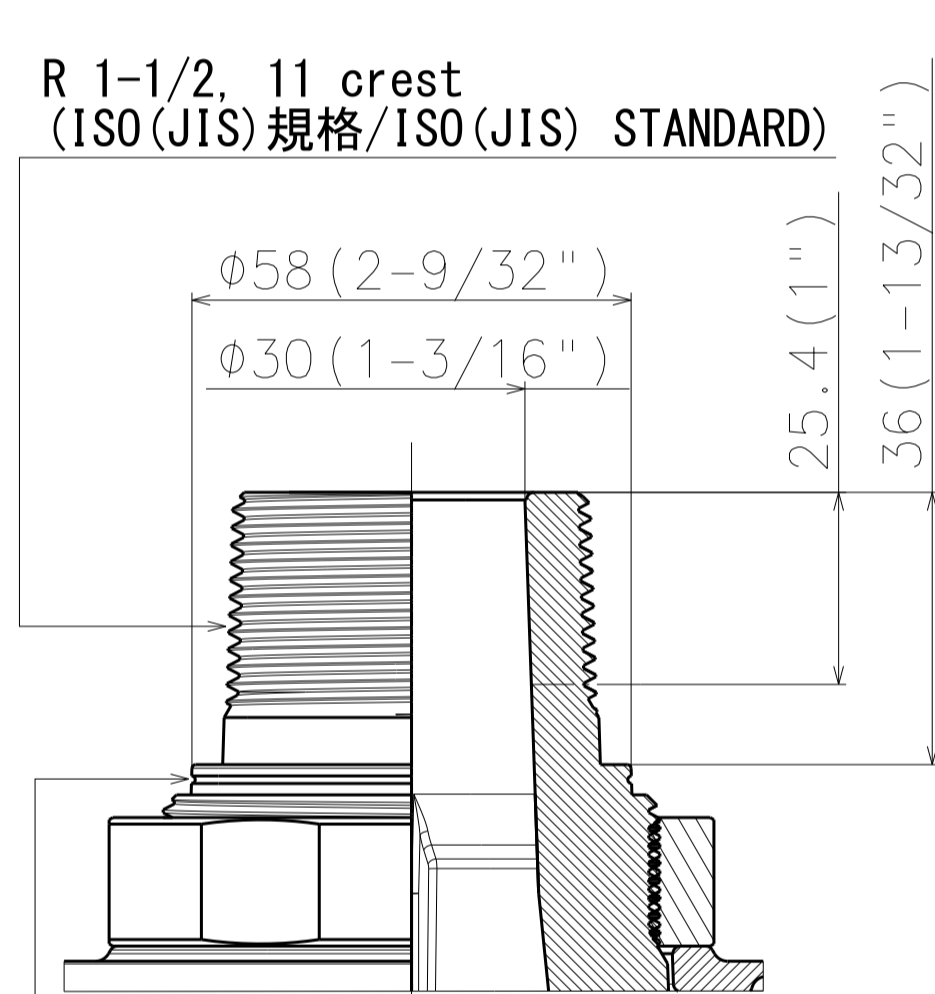
Rp 1-1/2, 11 crest  
(ISO (JIS) 規格/ISO (JIS) STANDARD)



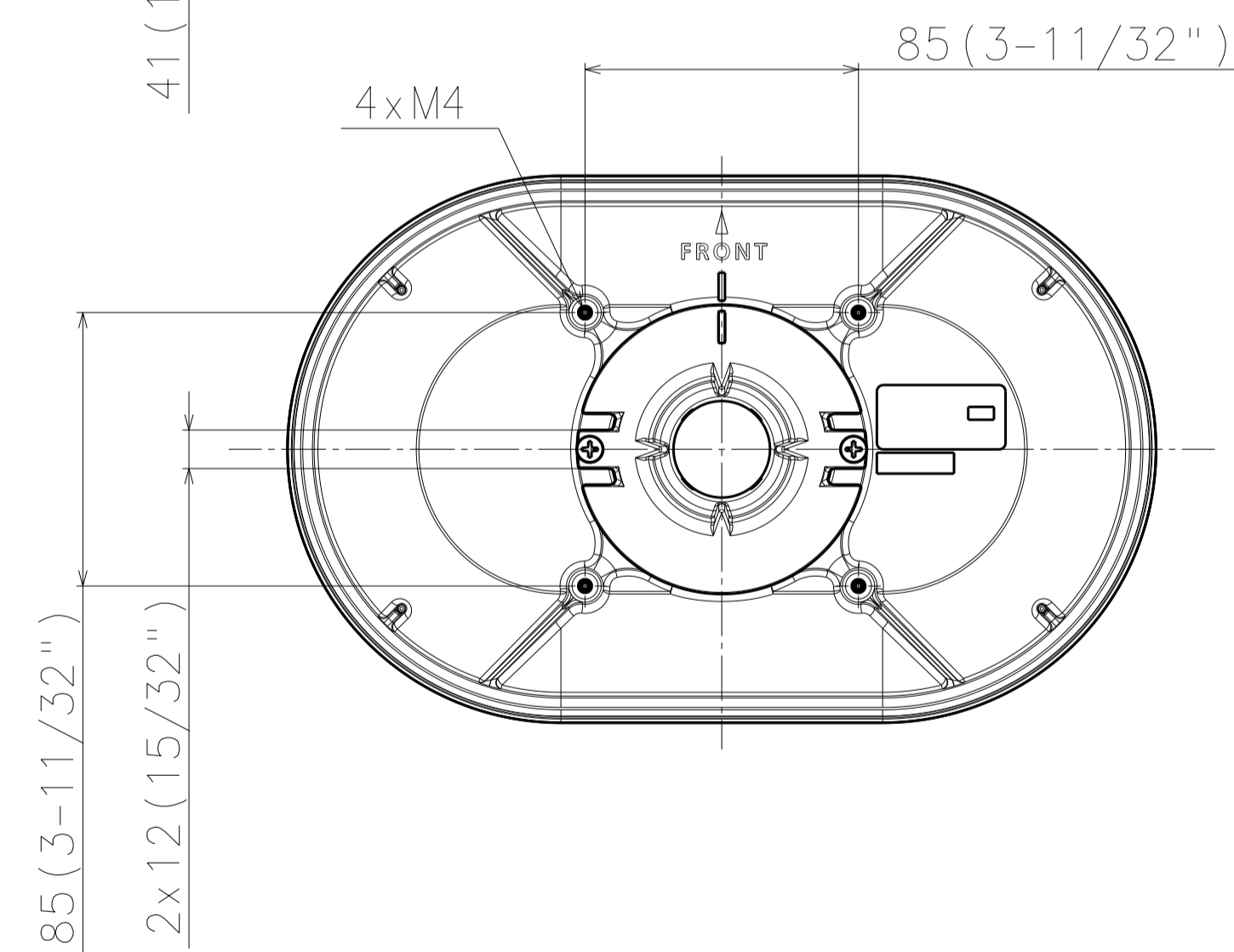
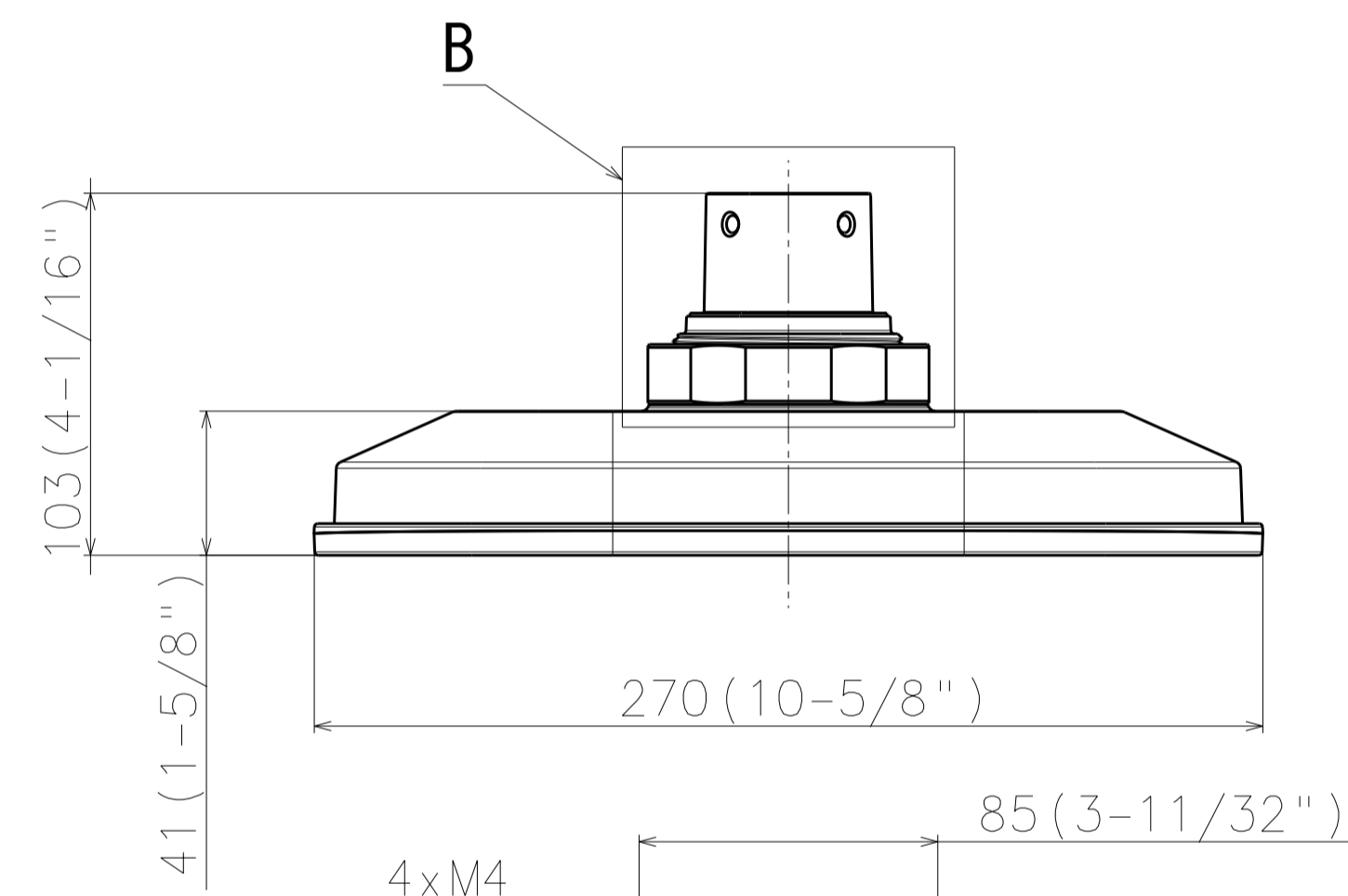
ISOマーク/ISO mark

WV-QSR507M-\*

R 1-1/2, 11 crest  
(ISO (JIS) 規格/ISO (JIS) STANDARD)

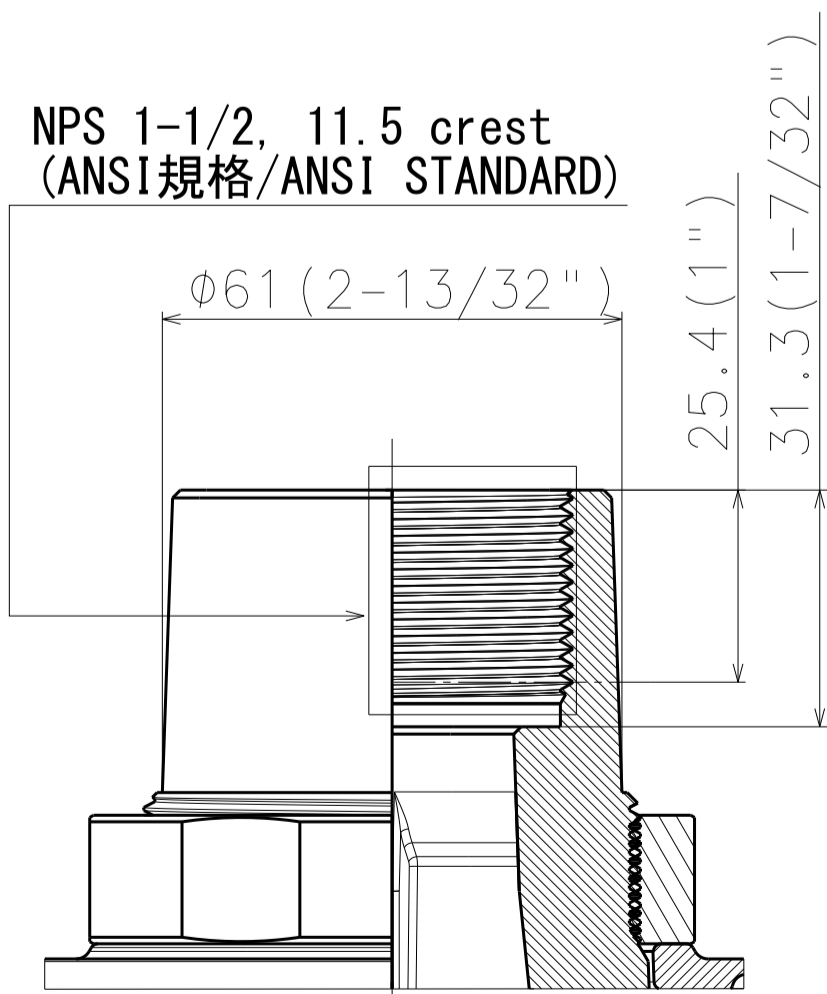


ISOマーク/ISO mark



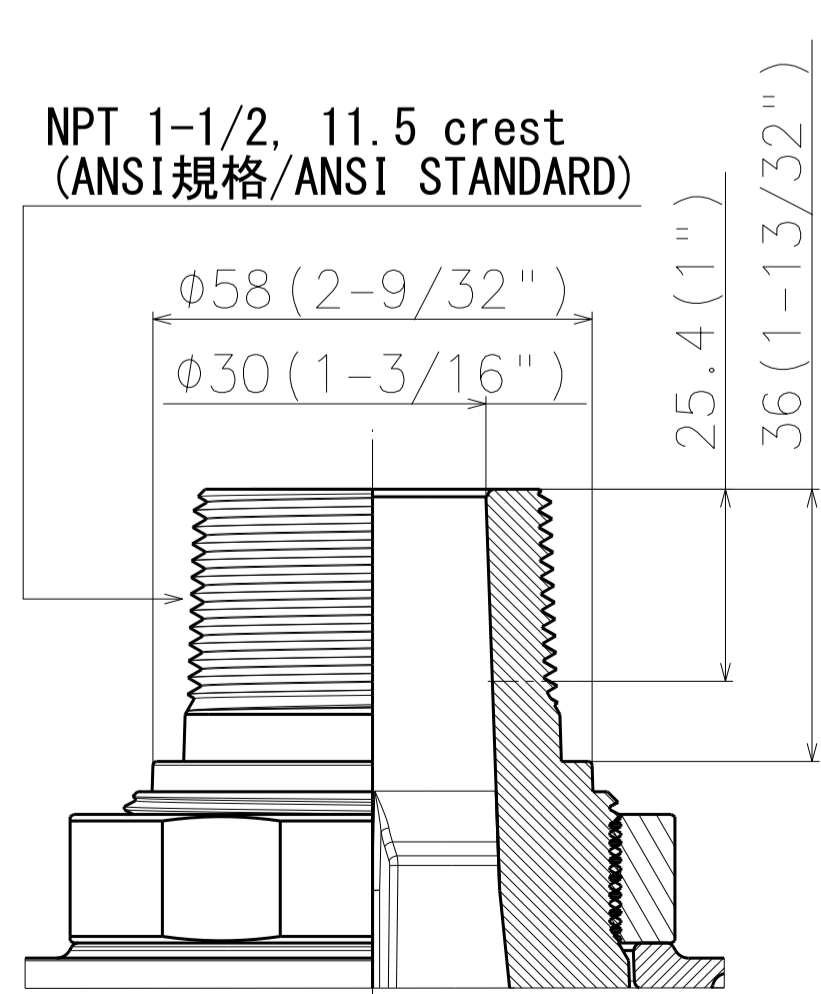
WV-QSR507F1-\*

NPS 1-1/2, 11.5 crest  
(ANSI 規格/ANSI STANDARD)

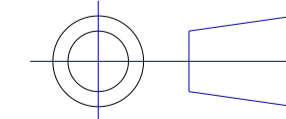


WV-QSR507M1-\*

NPT 1-1/2, 11.5 crest  
(ANSI 規格/ANSI STANDARD)



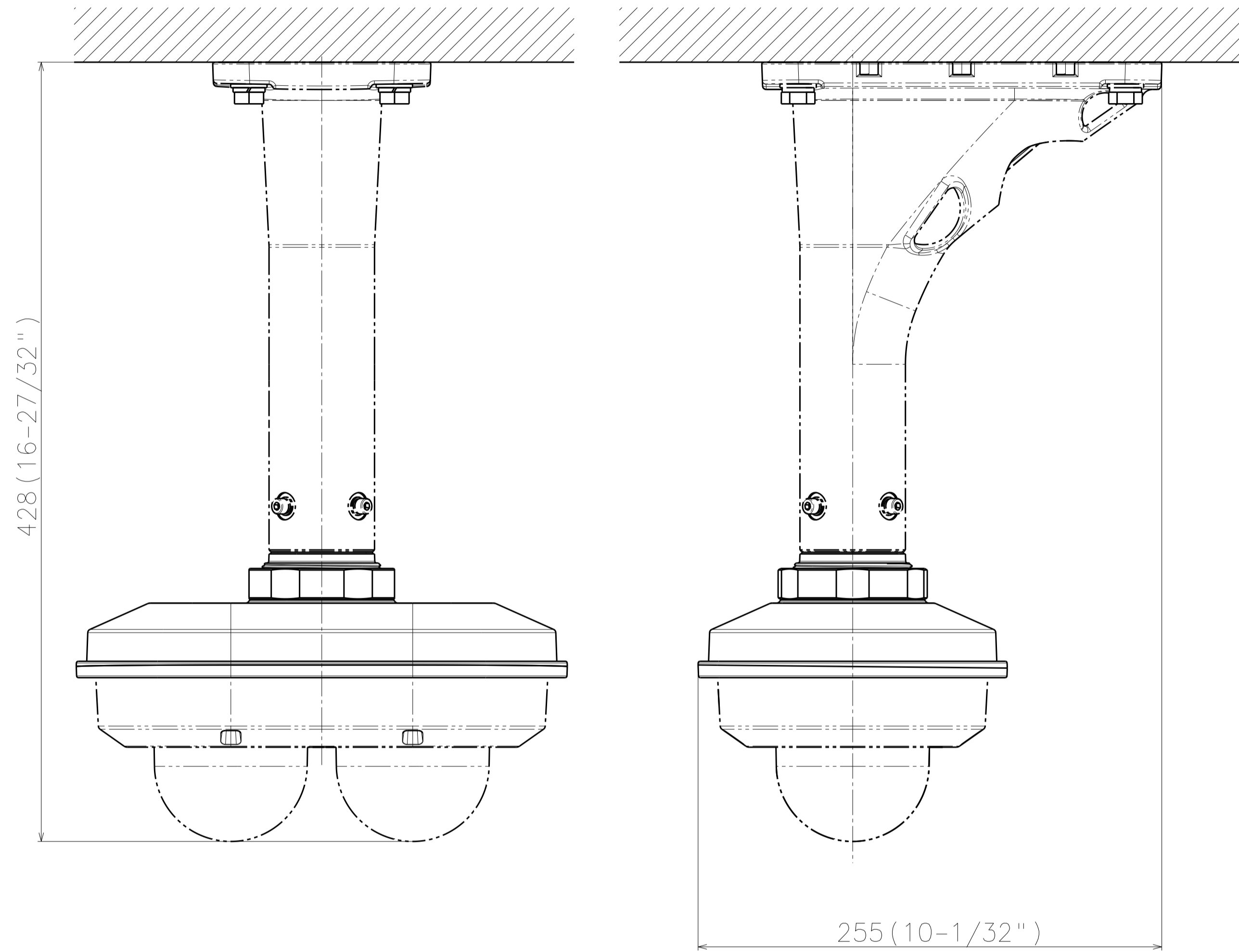
Unit:mm



		投影面積/Projected area
正面図/Front-view (嵌合部除く) (Excluding the mating part)	WV-QSR507-*	0.012 (m <sup>2</sup> )
	WV-QSR507F-*	0.014 (m <sup>2</sup> )
	WV-QSR507M-*	0.012 (m <sup>2</sup> )
	WV-QSR507F1-*	0.014 (m <sup>2</sup> )
	WV-QSR507M1-*	0.012 (m <sup>2</sup> )
側面図/Side-view (嵌合部除く) (Excluding the mating part)	WV-QSR507-*	0.008 (m <sup>2</sup> )
	WV-QSR507F-*	0.010 (m <sup>2</sup> )
	WV-QSR507M-*	0.008 (m <sup>2</sup> )
	WV-QSR507F1-*	0.010 (m <sup>2</sup> )
	WV-QSR507M1-*	0.008 (m <sup>2</sup> )

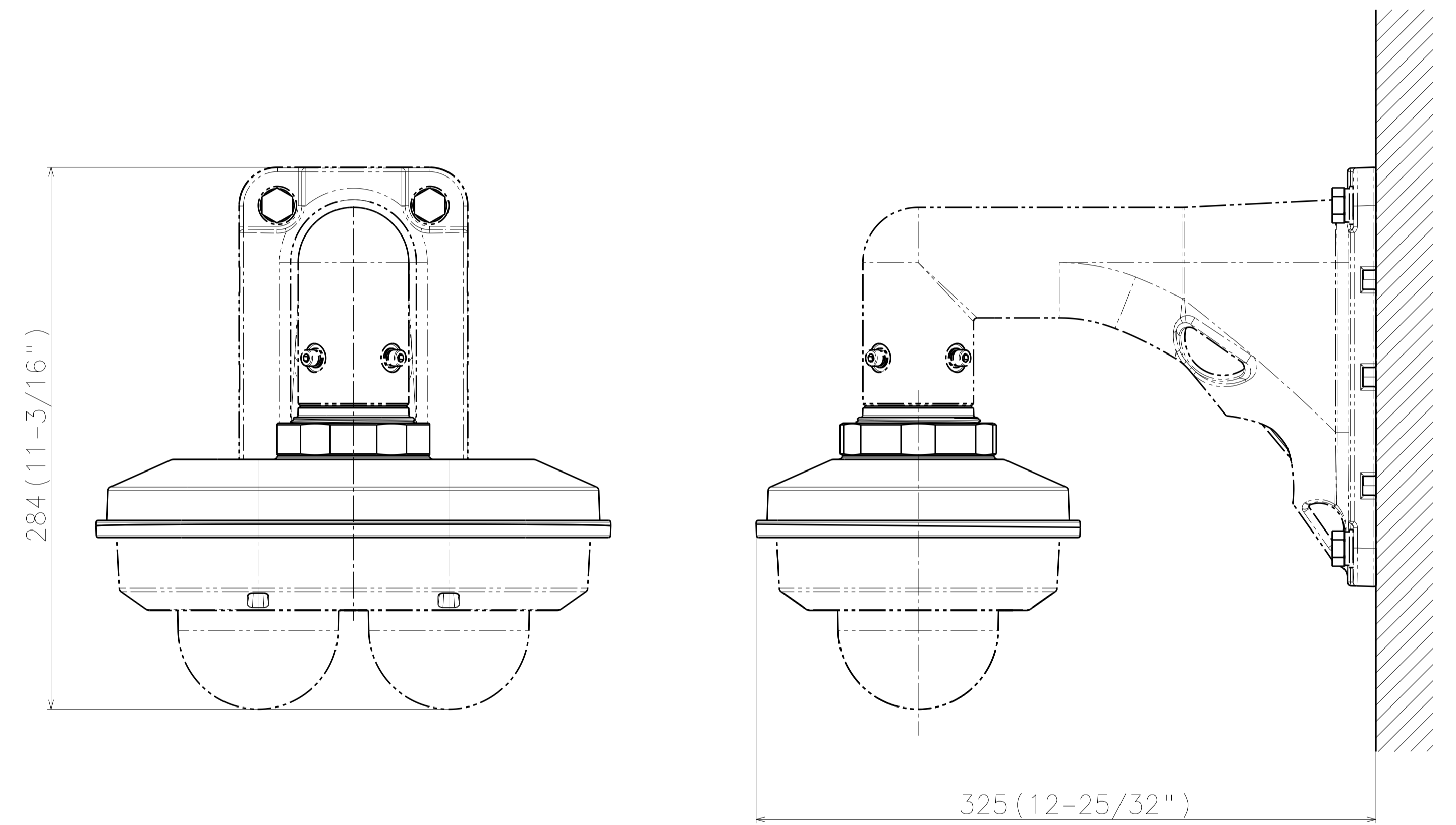
Mass : Approx. 850 g {1.88 lbs} (All screw type same mass)

カメラとの組み合わせ例  
Example of combination with a camera



Attach to WV-S85402-V2L\*\* & WV-QCL501\*\*

	投影面積/Projected area
正面図/Front-view	0.045 (m <sup>2</sup> )
側面図/Side-view	0.041 (m <sup>2</sup> )



Attach to WV-S85402-V2L\*\* & WV-QWL501\*\*

	投影面積/Projected area
正面図/Front-view	0.045 (m <sup>2</sup> )
側面図/Side-view	0.044 (m <sup>2</sup> )

Unit:mm

