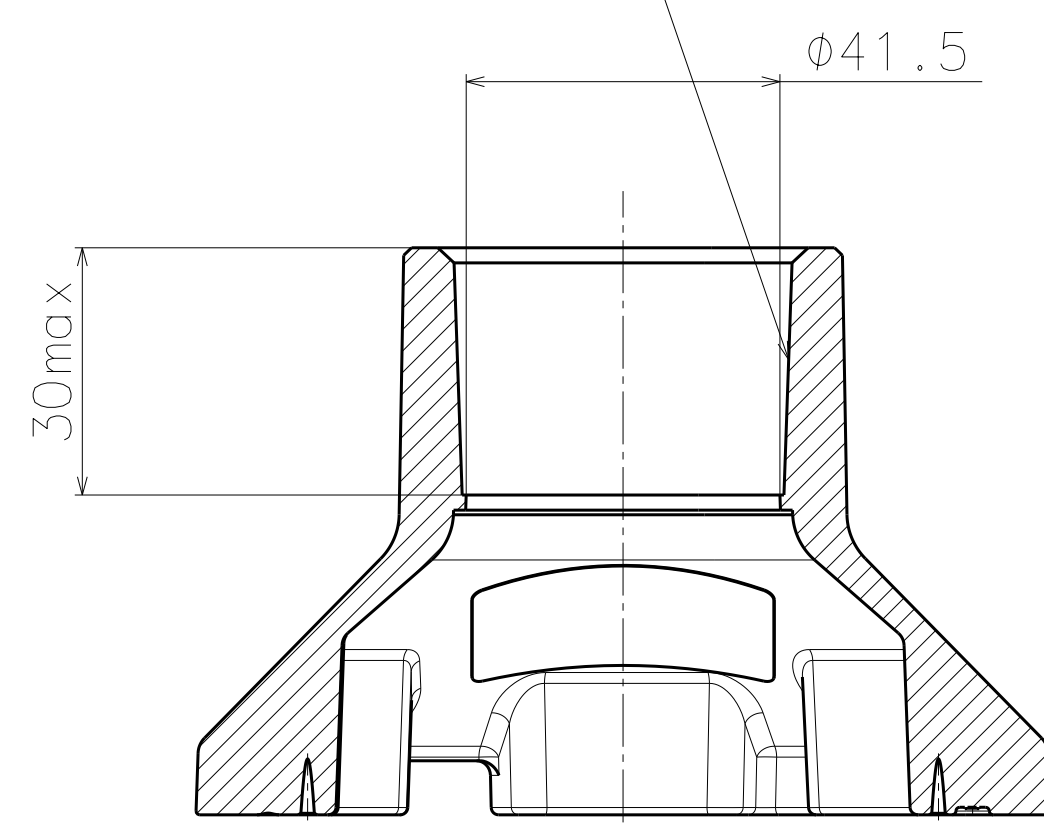
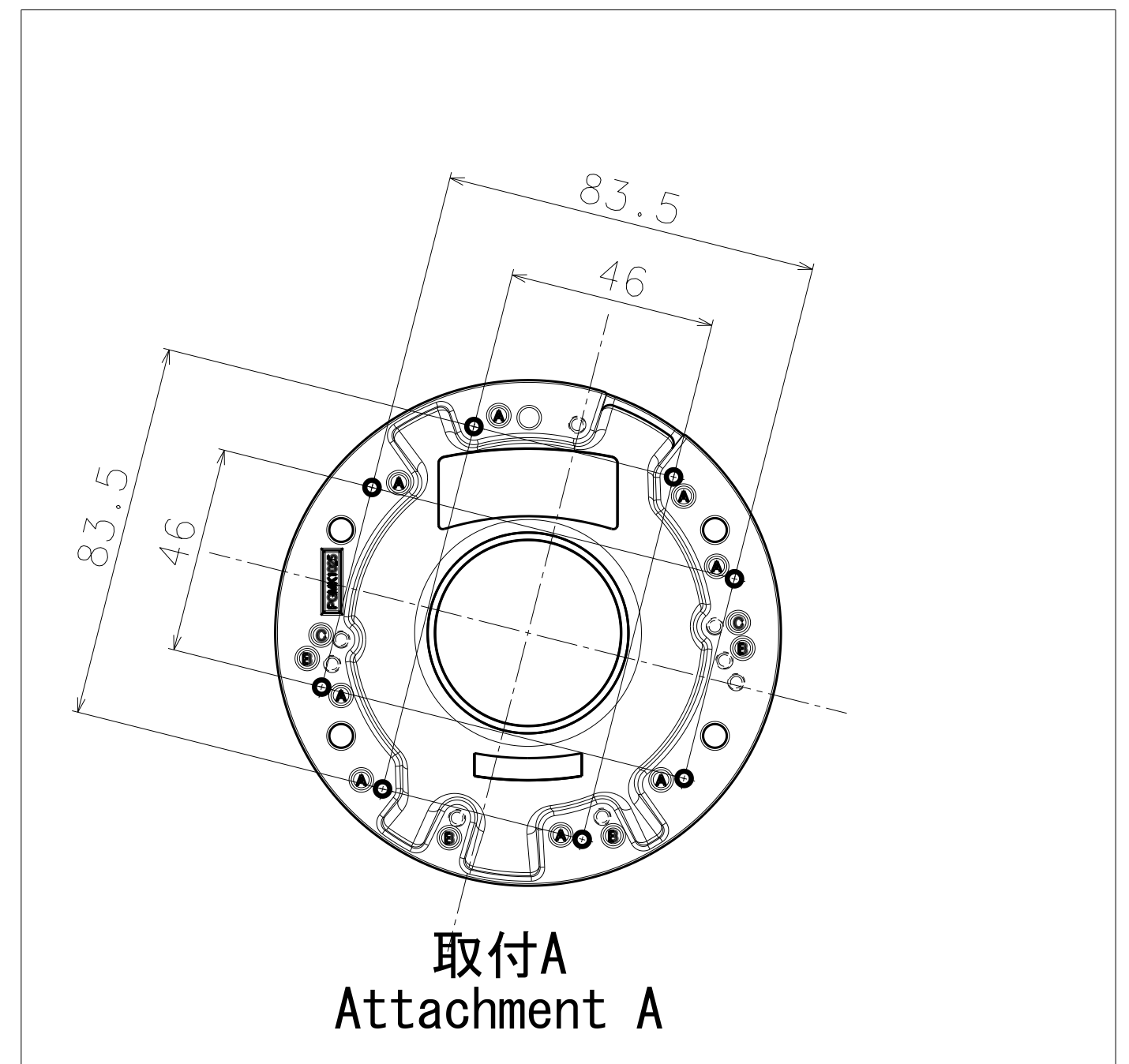
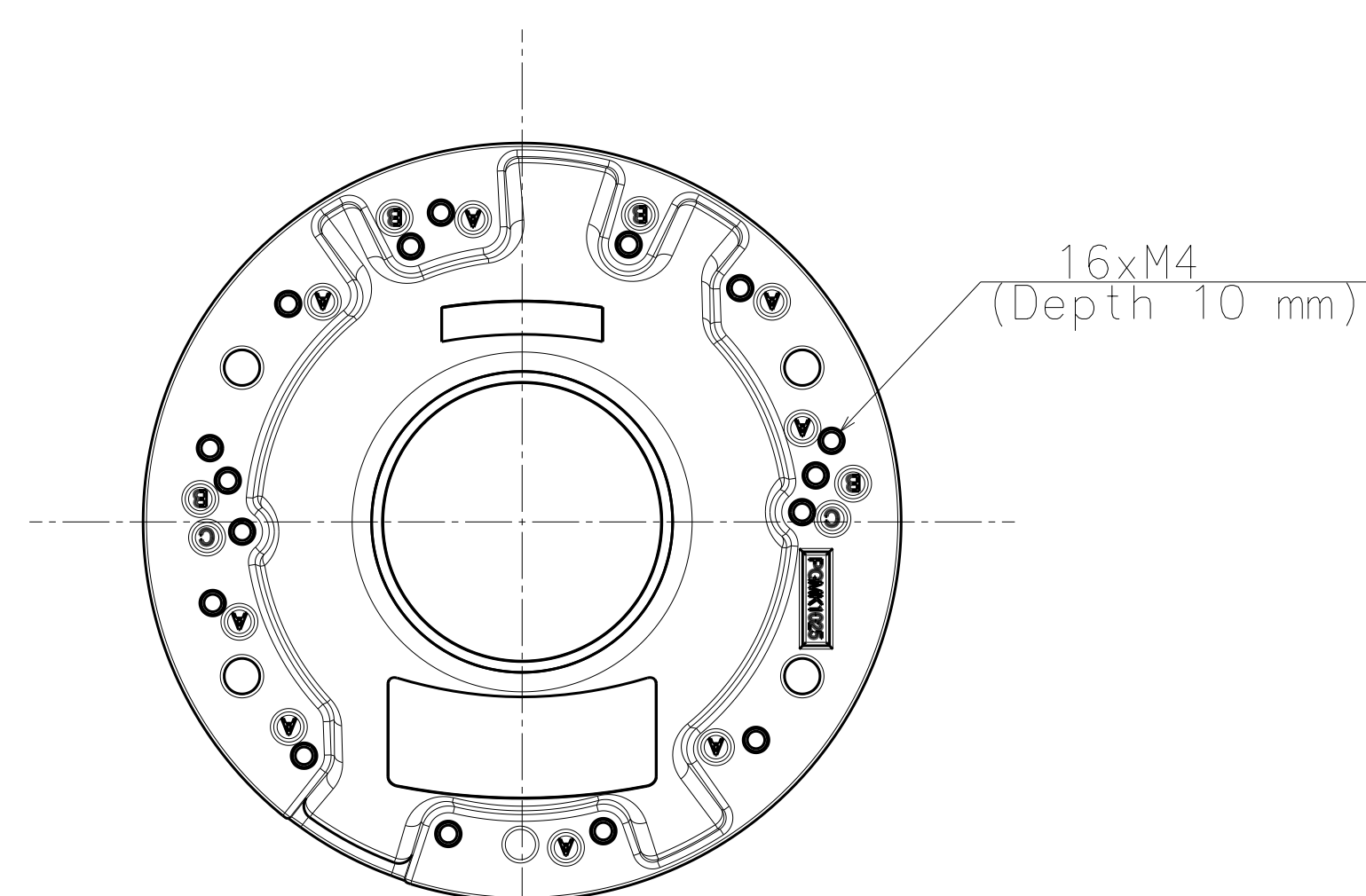
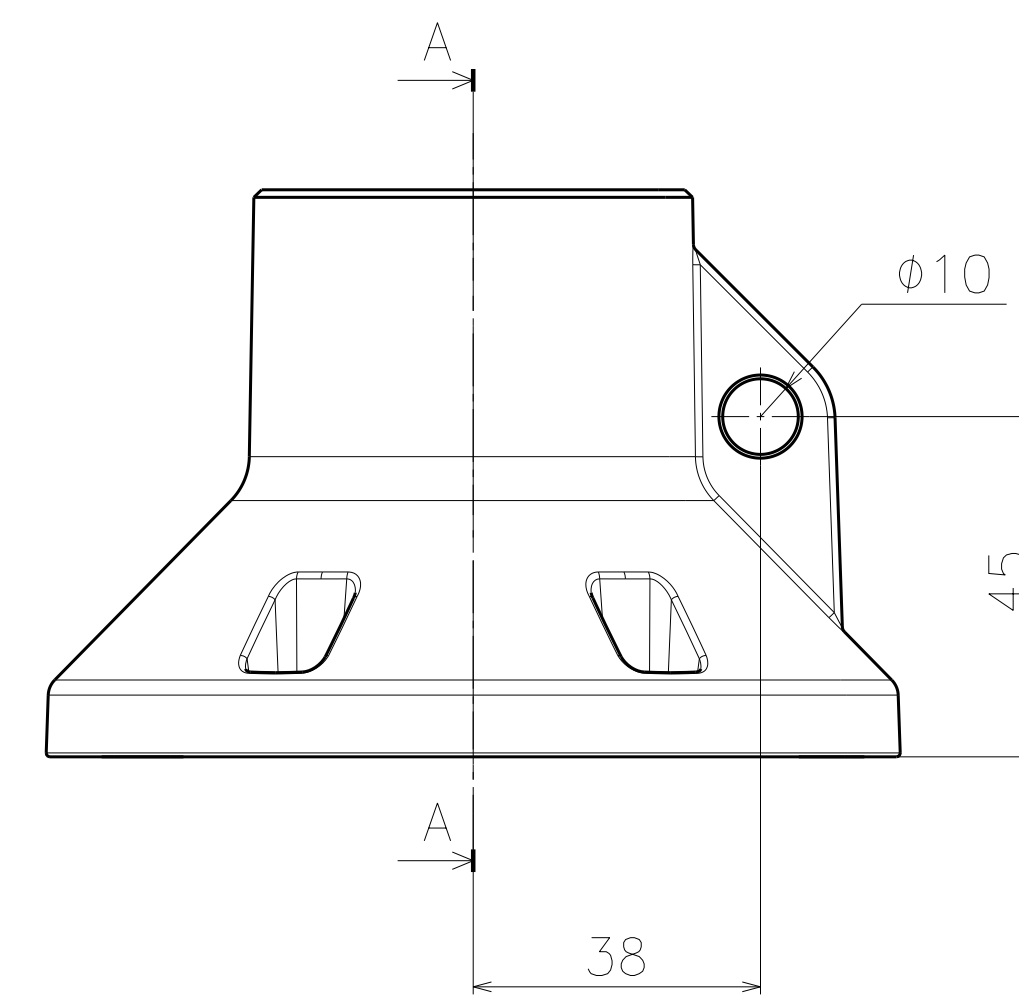
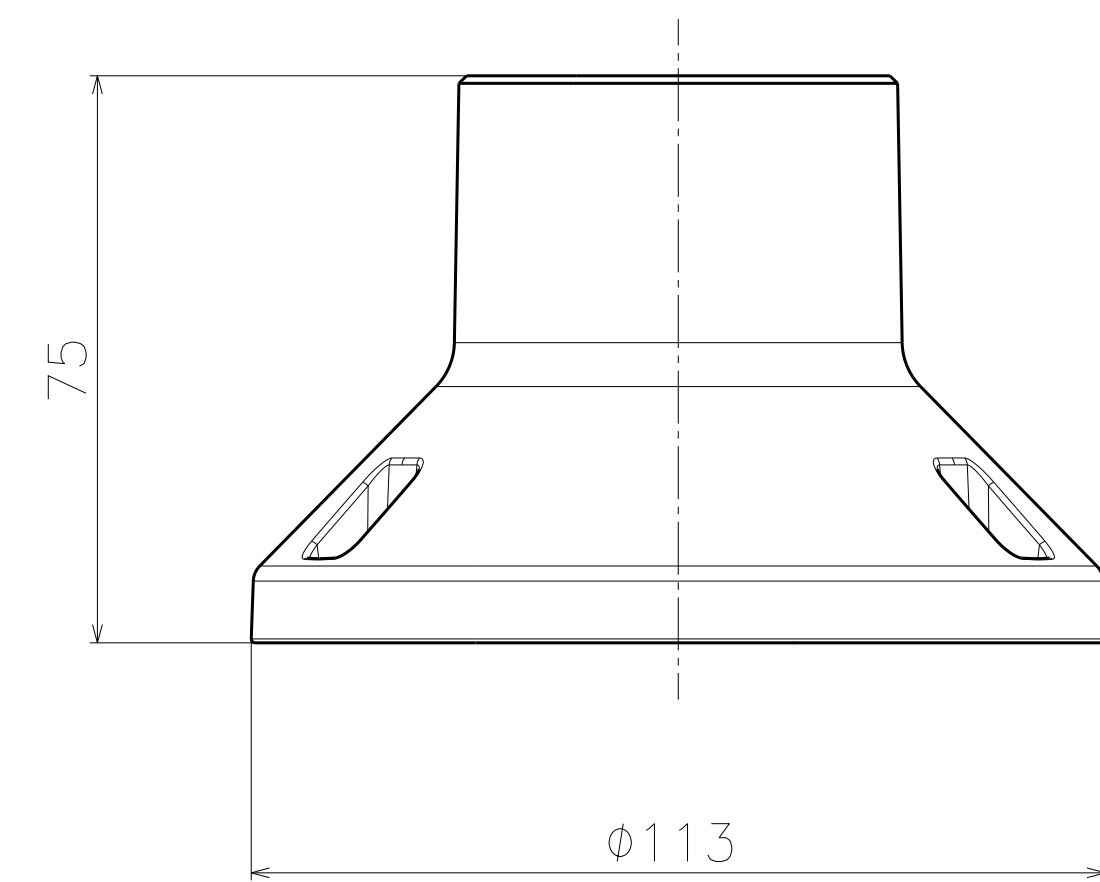
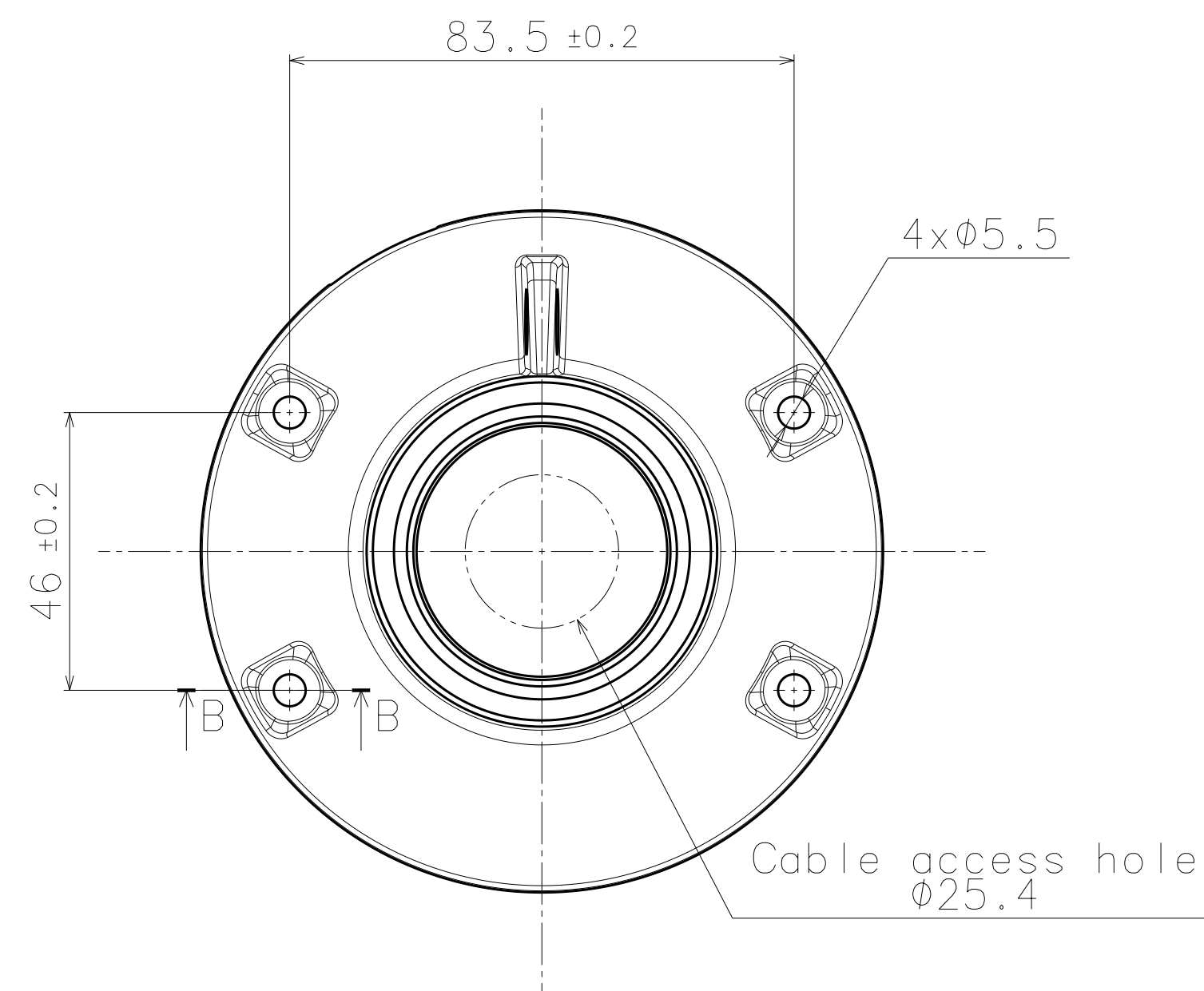


Sec B-B

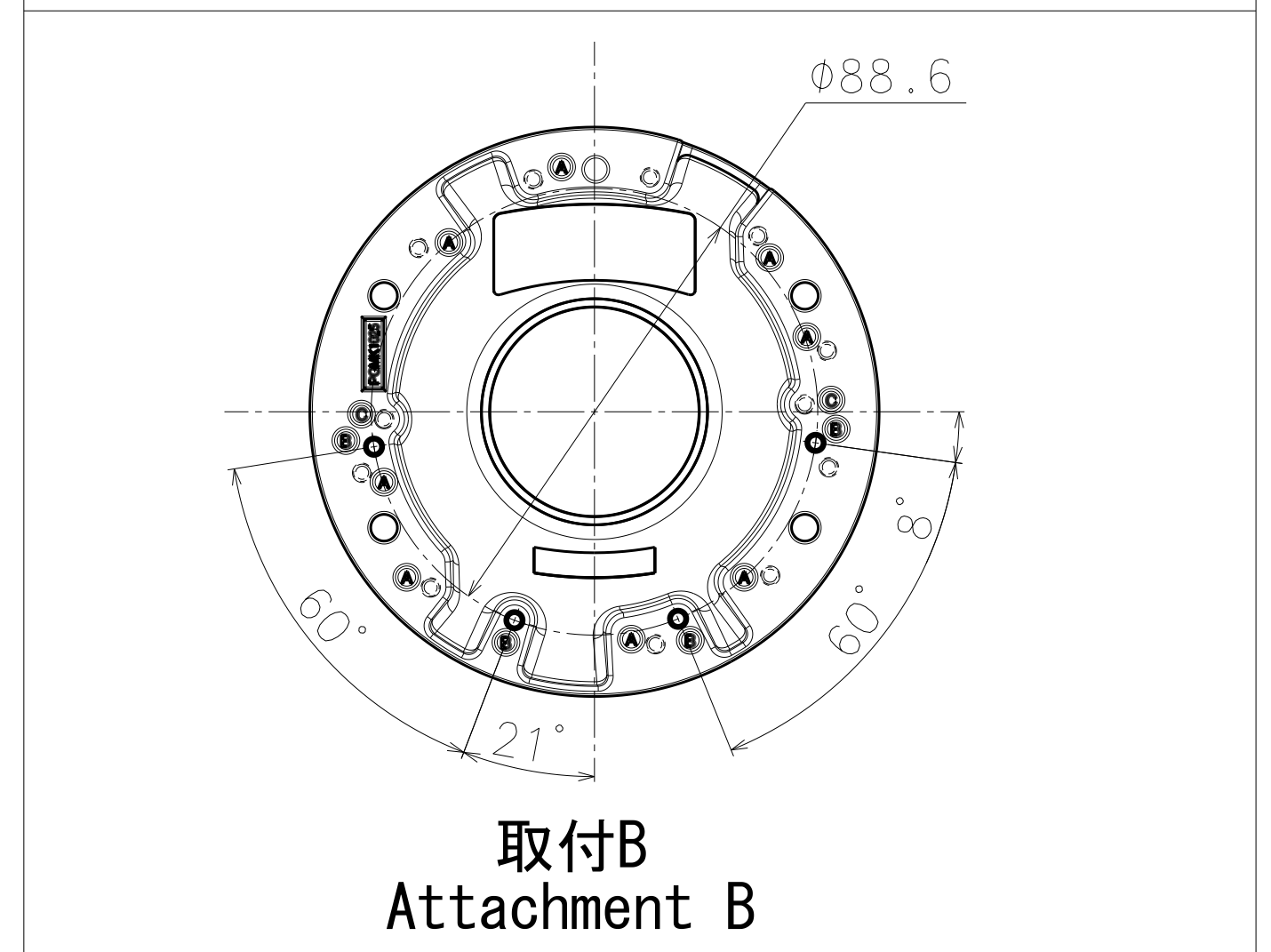
NPS 1-1/2, 11.5 crest,
deep 30 MAX
(National pipe straight)



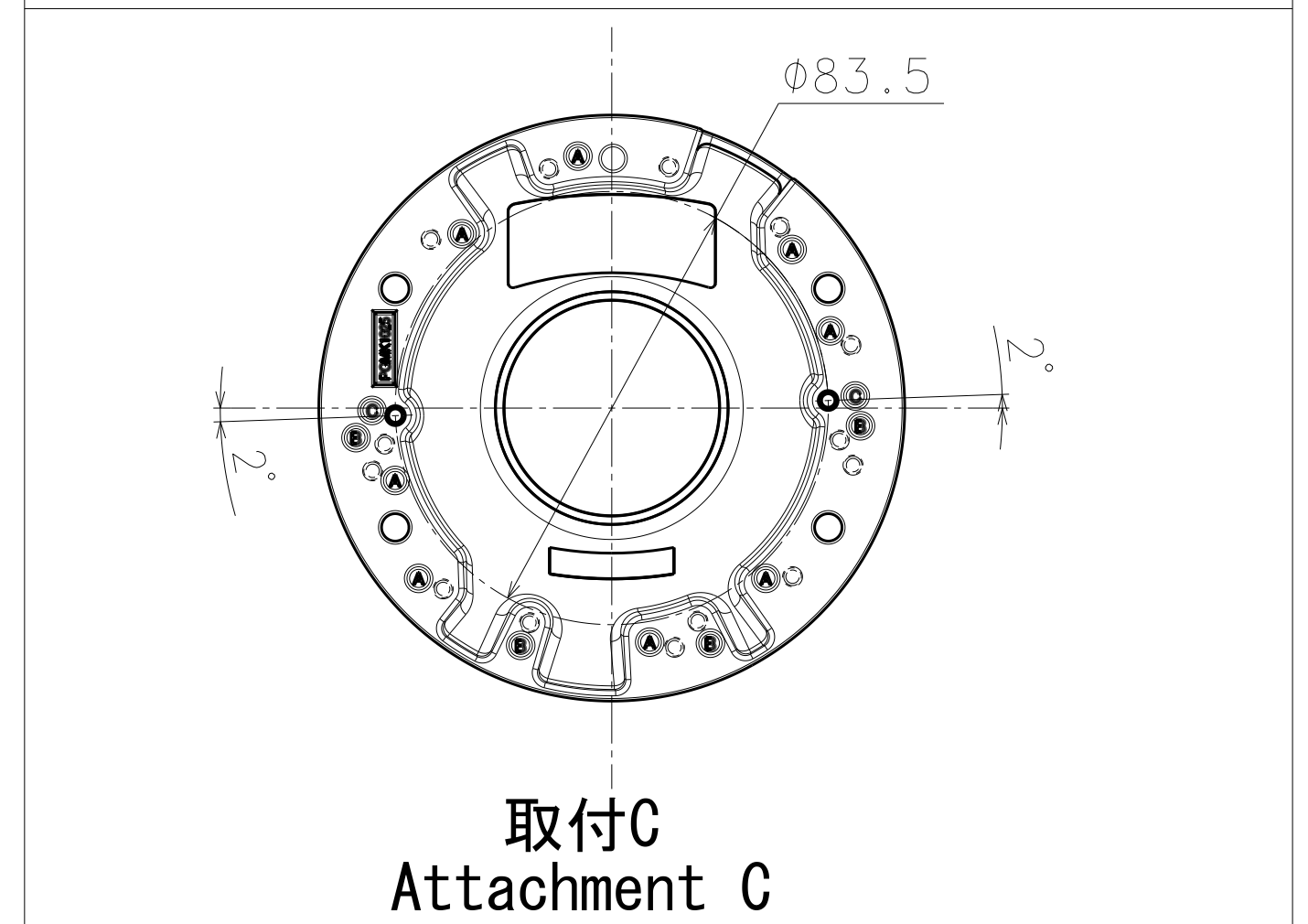
Sec A-A



取付A
Attachment A



取付B
Attachment B

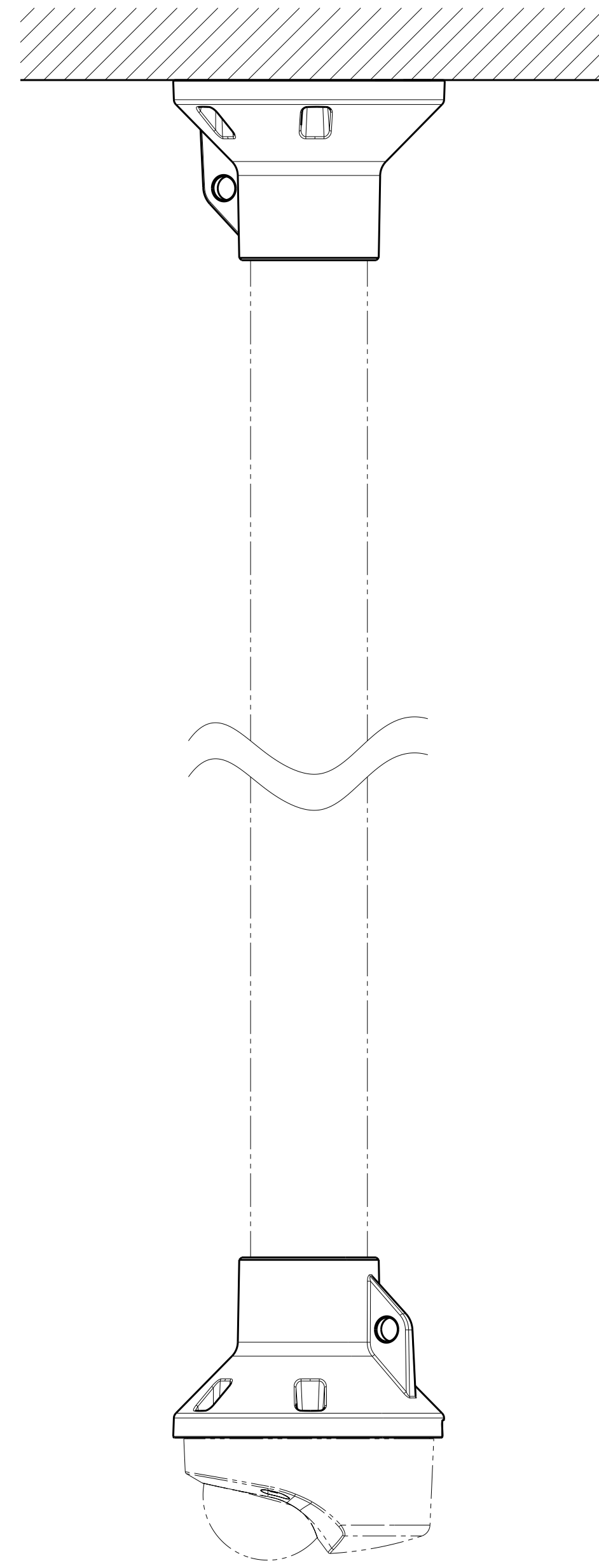


取付C
Attachment C

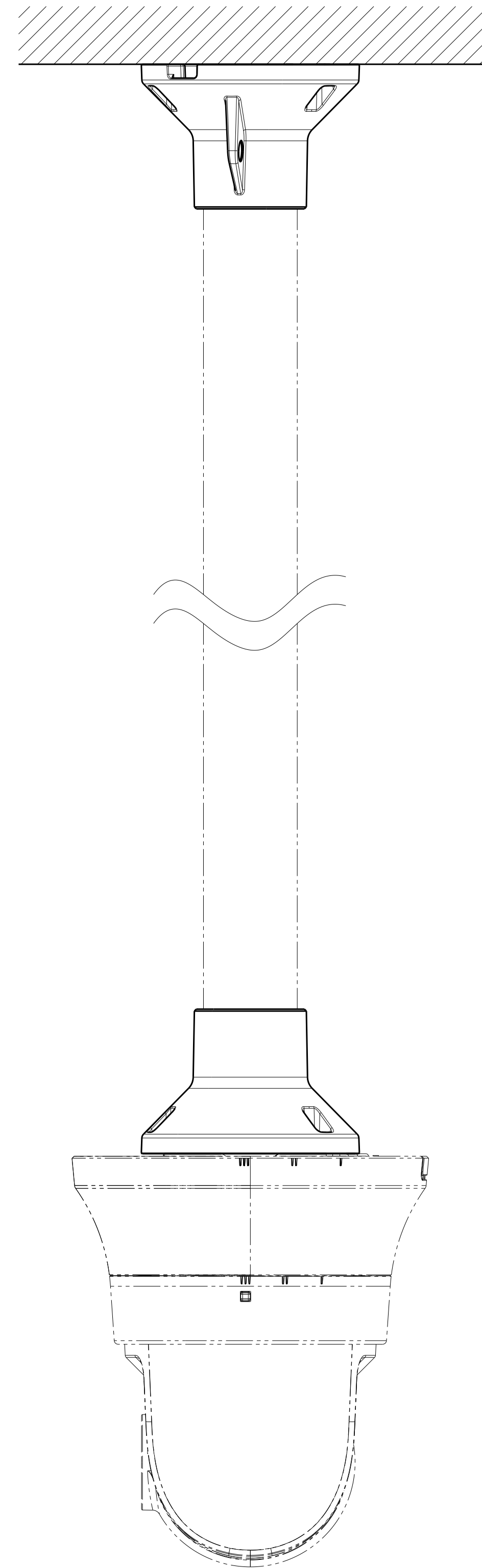
Model number	Color
WV-QCL101-W (WV-QCL101-WUYS)	i-PRO white
WV-QCL101-B (WV-QCL101-BZYS)	Black

Weight : Approx. 300 g {0.66 lbs}

WV-QCL101-W

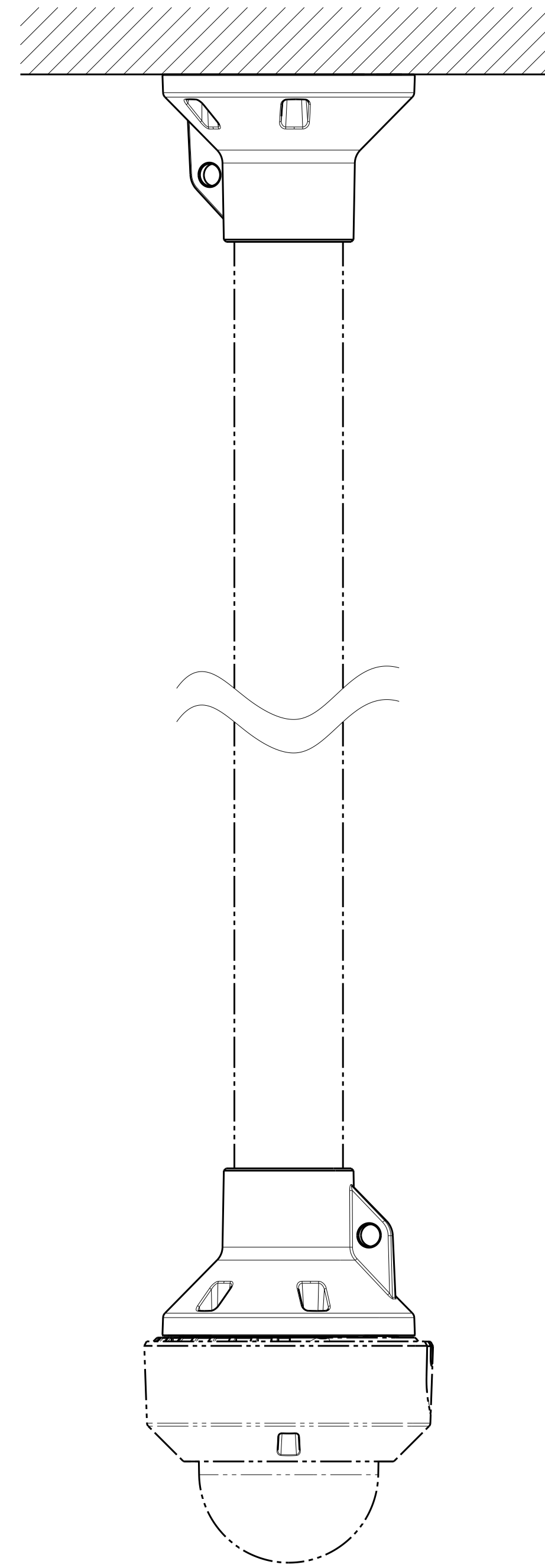


Attach to WV-S3131L

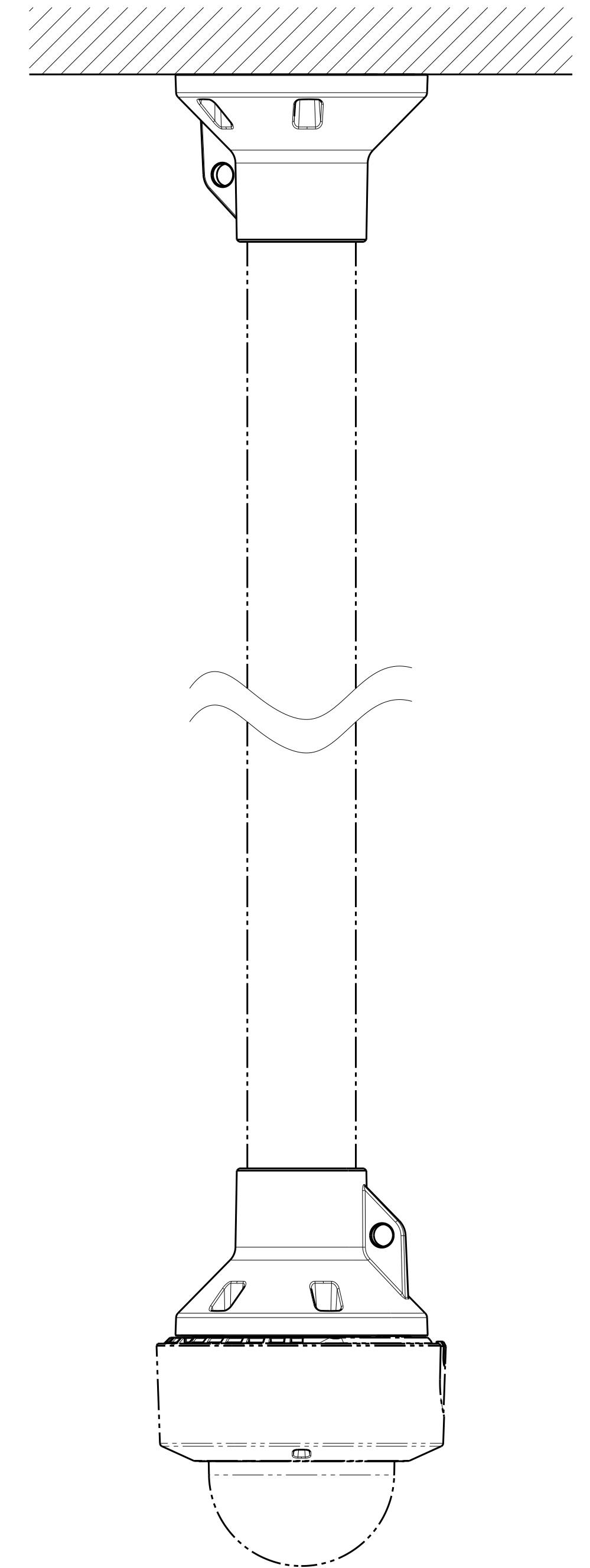


Attach to WV-S6131

WV-QCL101-B



Attach to WV-S2136L-B



Attach to WV-S2236L-B

Model number	Color
WV-QCL101-W (WV-QCL101-WUYS)	i-PRO white
WV-QCL101-B (WV-QCL101-BZYS)	Black