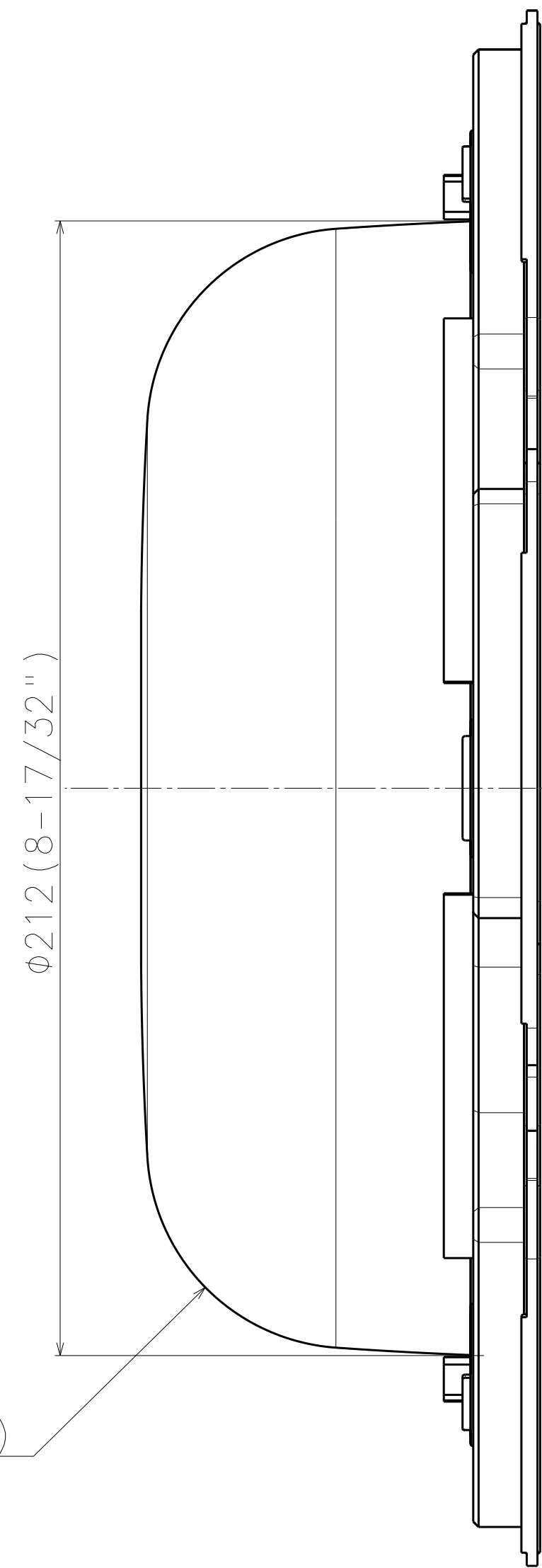
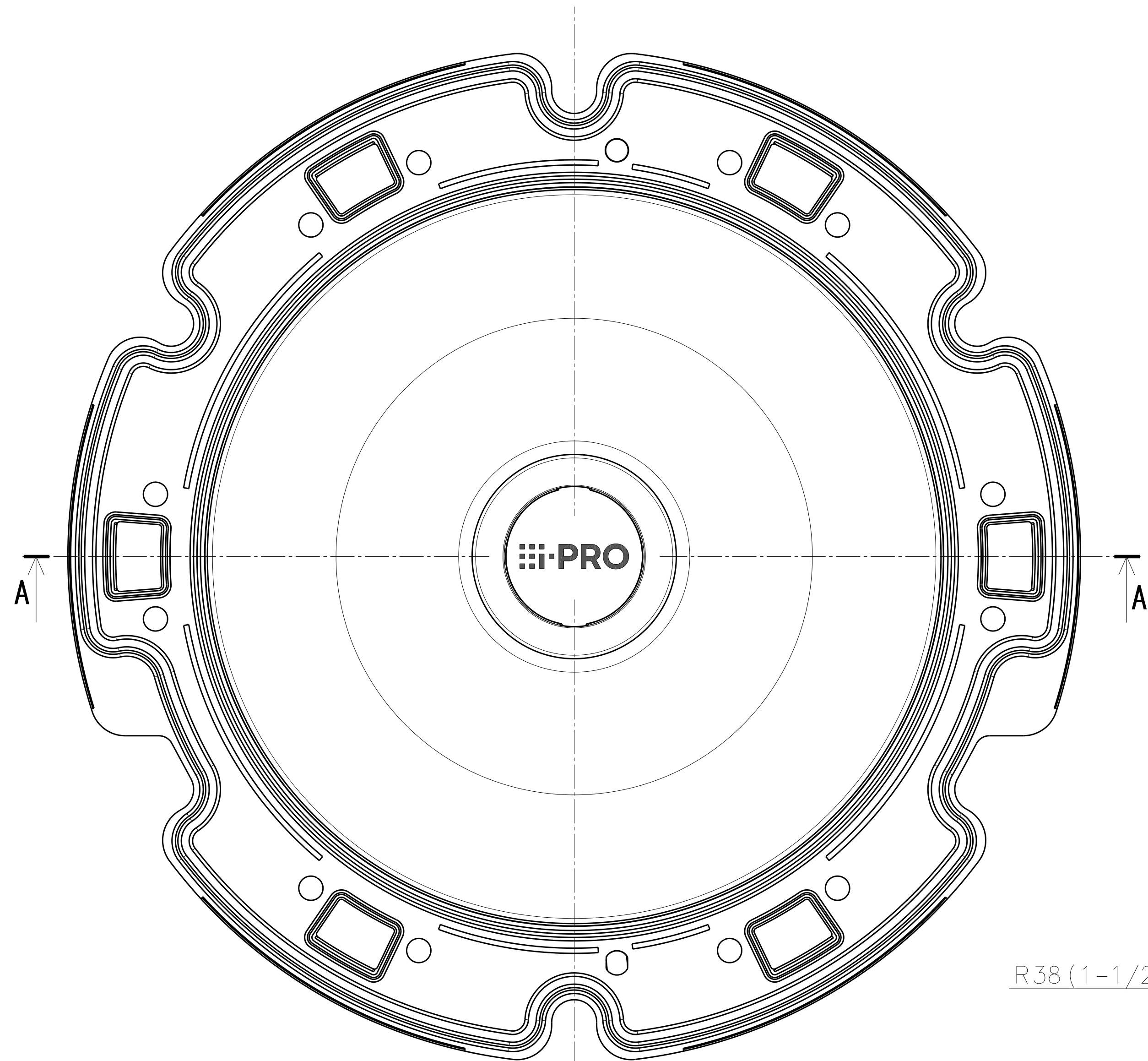
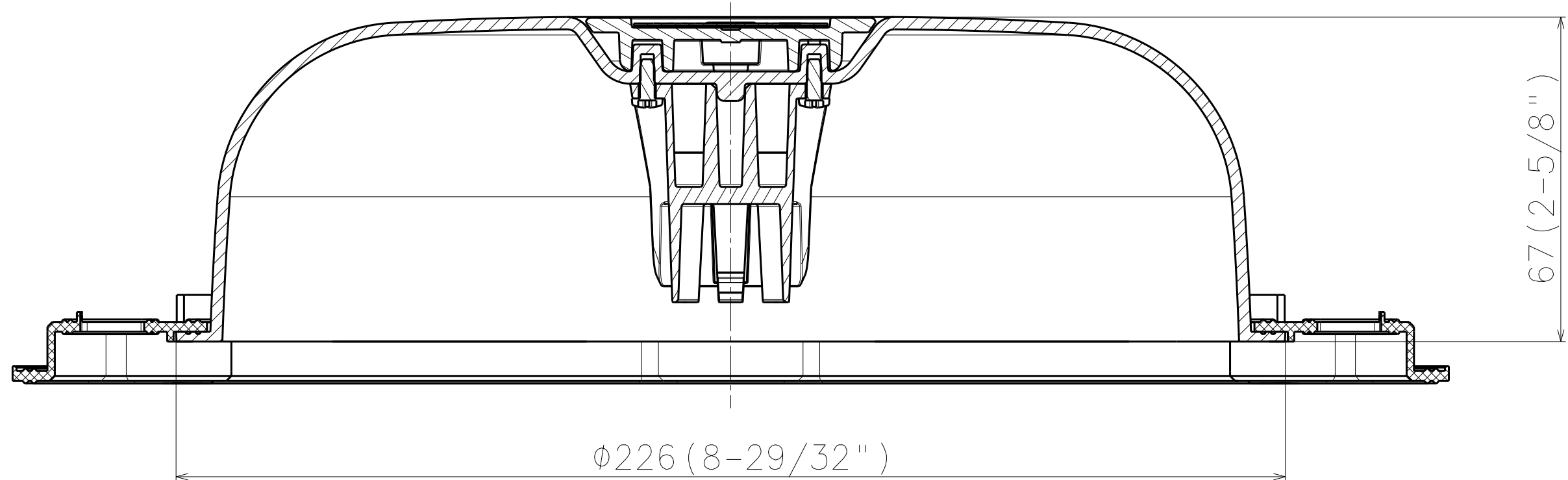
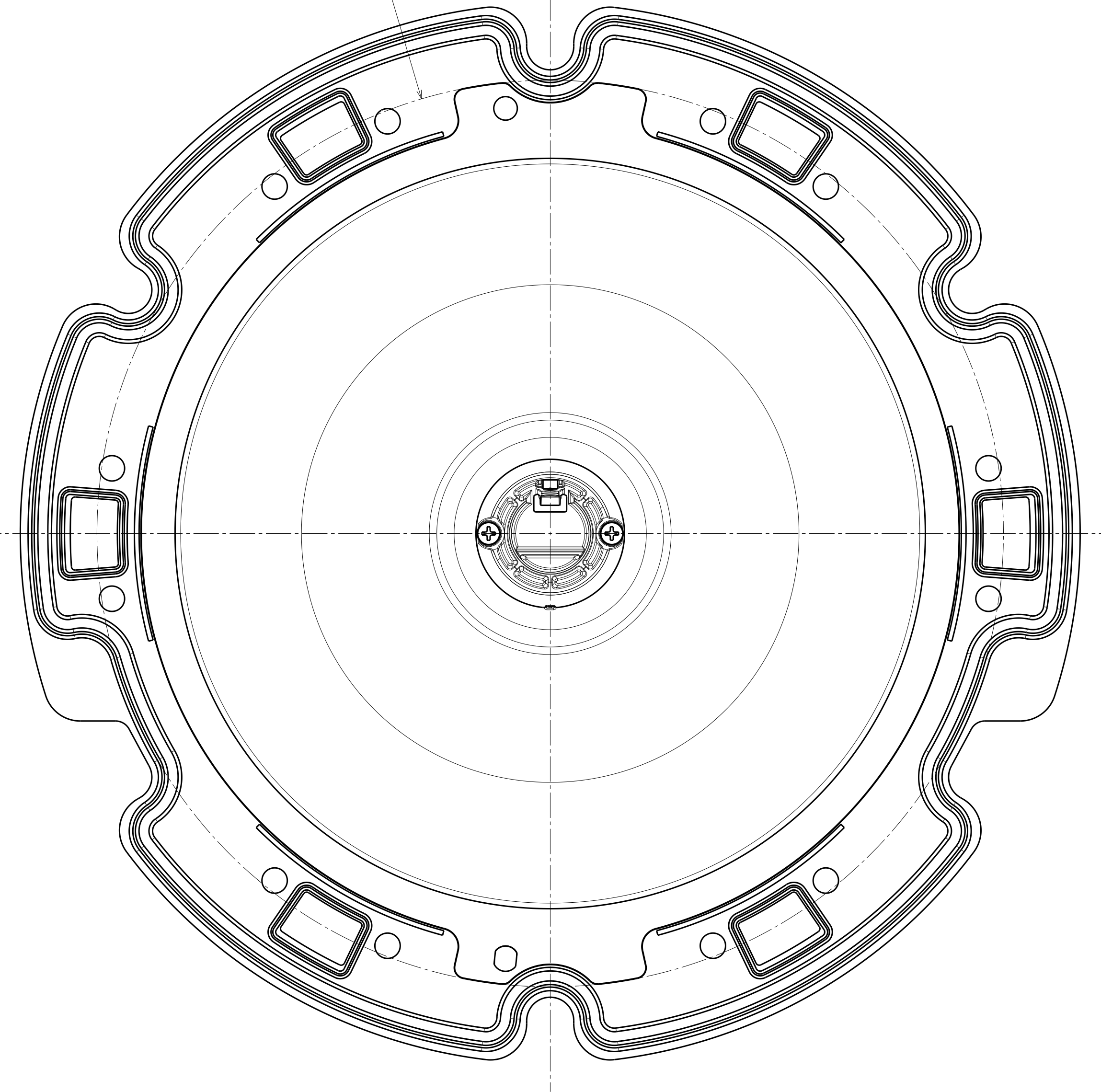


本図は付属の防水ラバーを含めた図である  
This figure includes the attached waterproof rubber.



$\phi 250 (9-27/32")$   
ドームカバー外径 (突起部含む)  
Dome cover outer diameter  
(Including protrusions)



Sec A-A

Mass : Approx. 246 g {0.54 lbs} (Does not include waterproof rubber)  
Approx. 335 g {0.74 lbs} (Including Waterproof rubber)

Unit:mm

