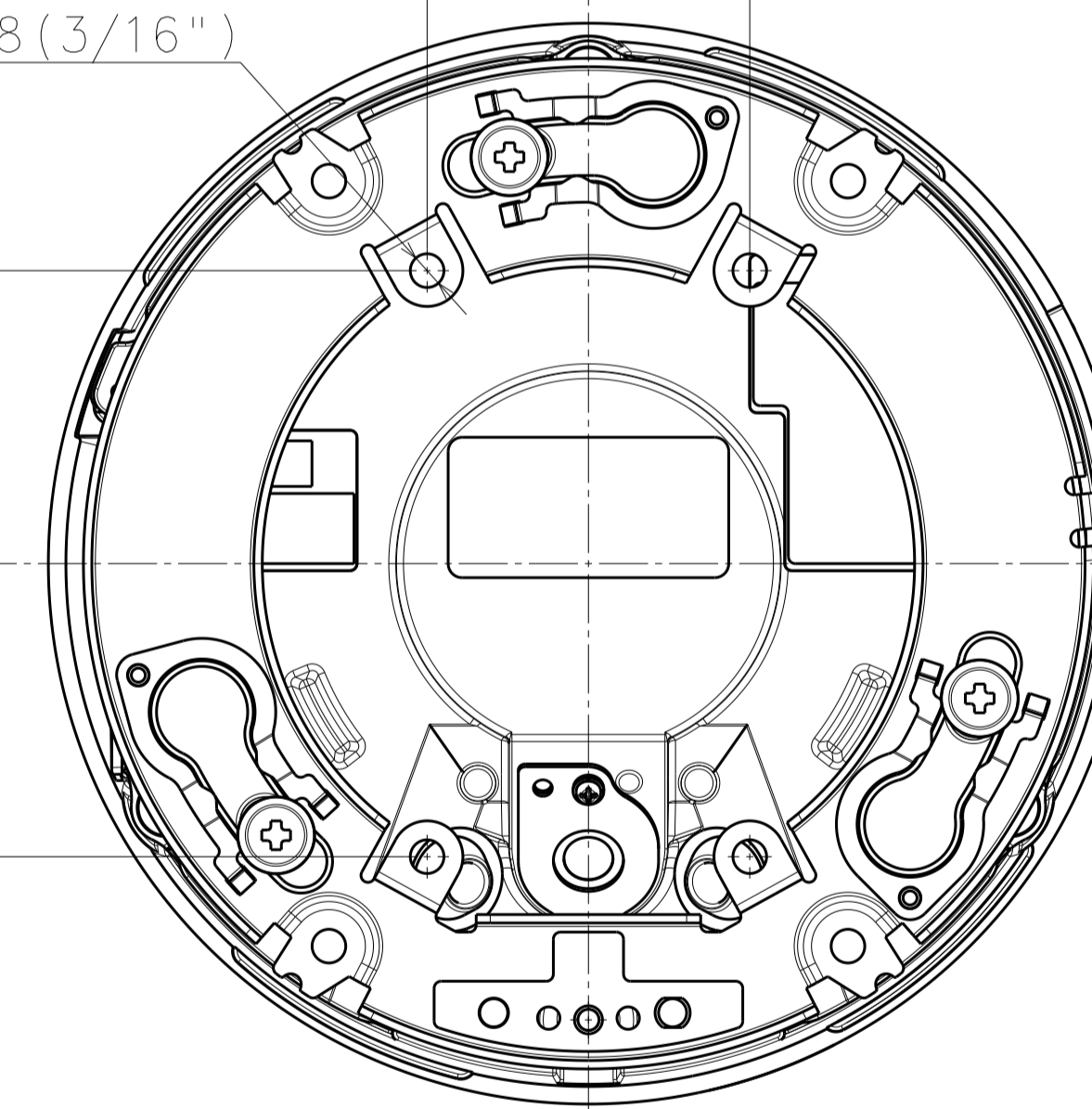


46 ±0.2 (1-13/16")

4xØ4.8 (3/16")

83.5 ±0.2 (3-9/32")



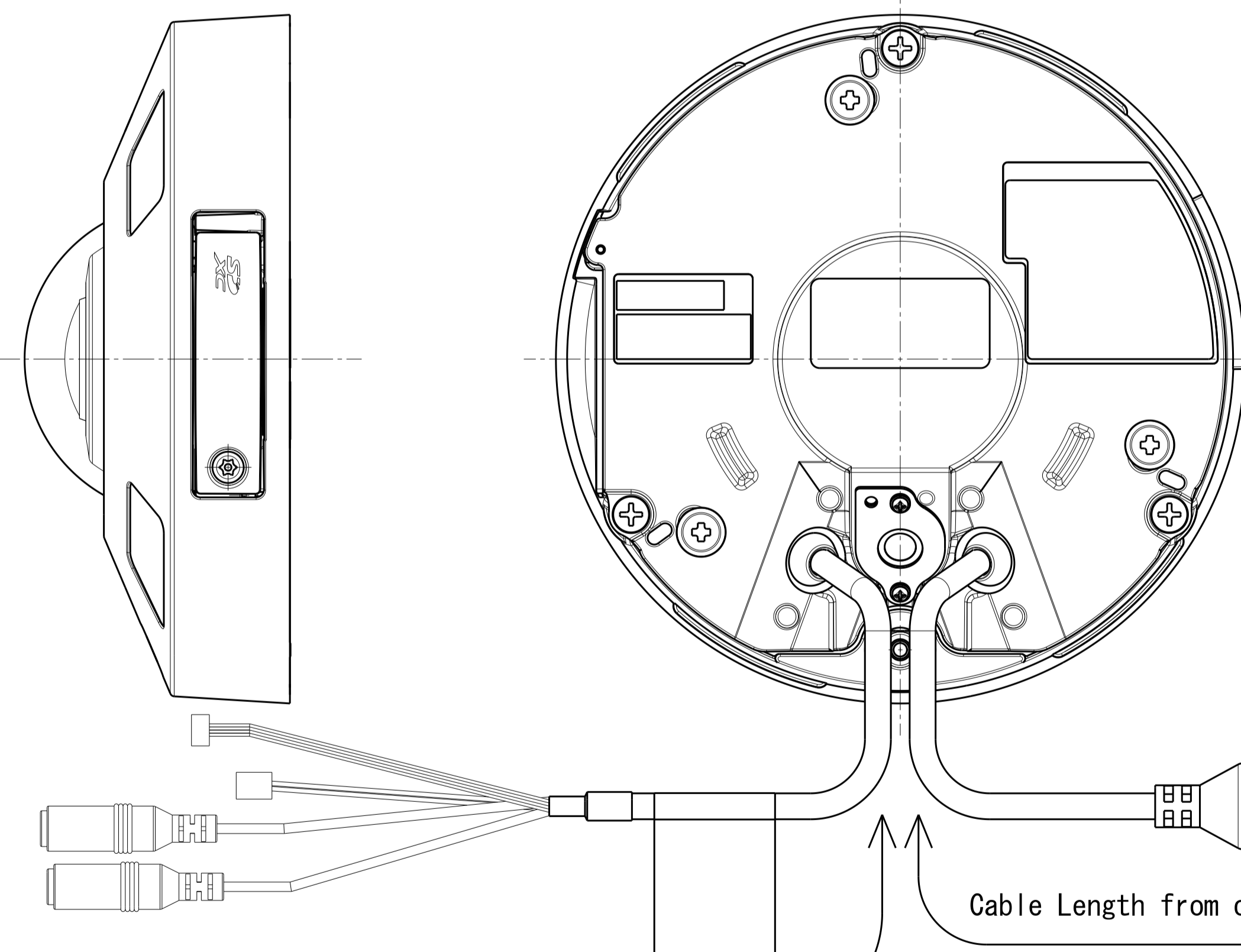
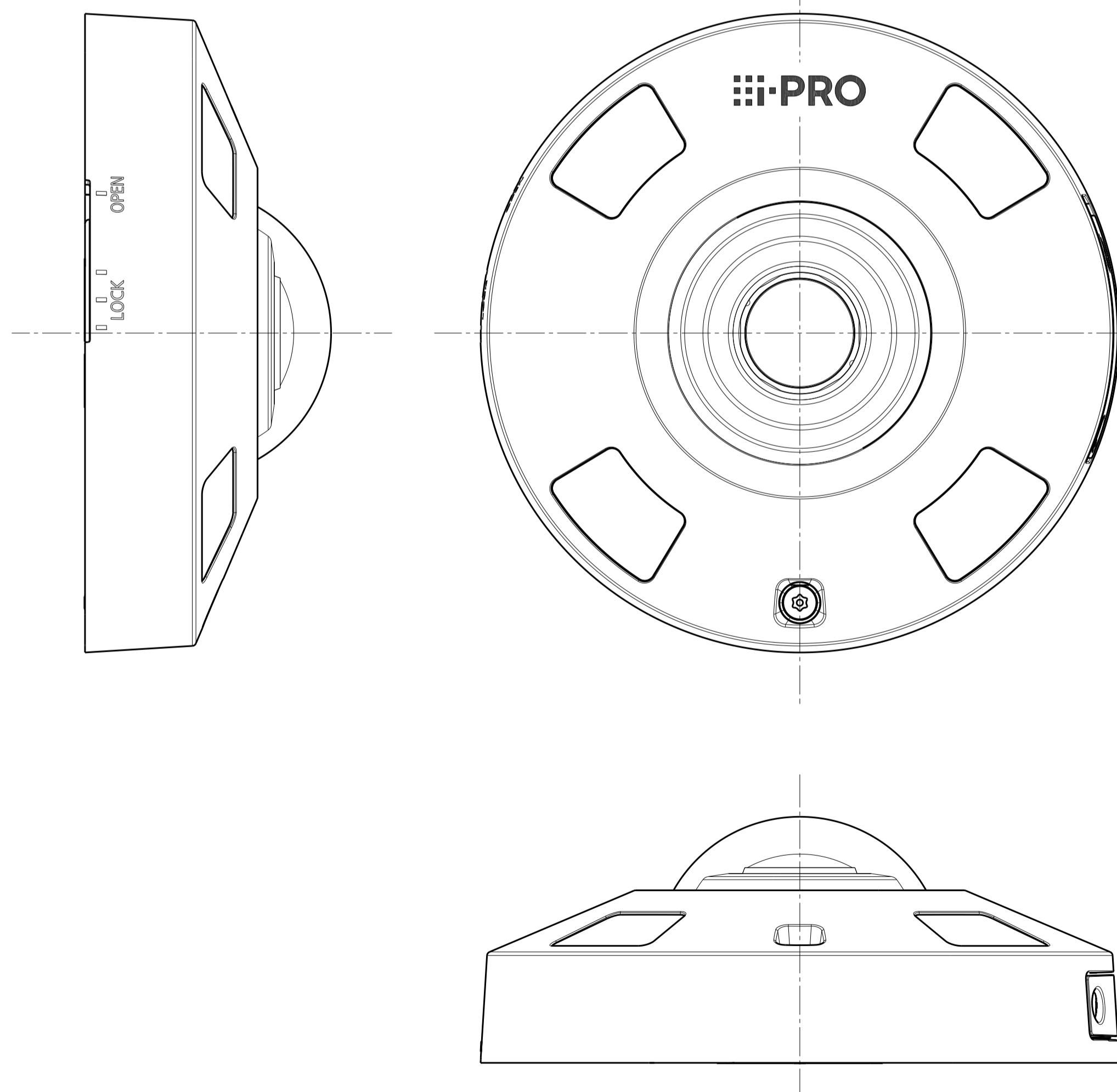
With attachment plate

Cable Length from outline : Approx. 100 mm (3-15/16 inches)

Cable Length from outline : Approx. 240 mm (9-7/16 inches)

	投影面積/Projected area
側面図/Side-view	0.007 (m <sup>2</sup> )

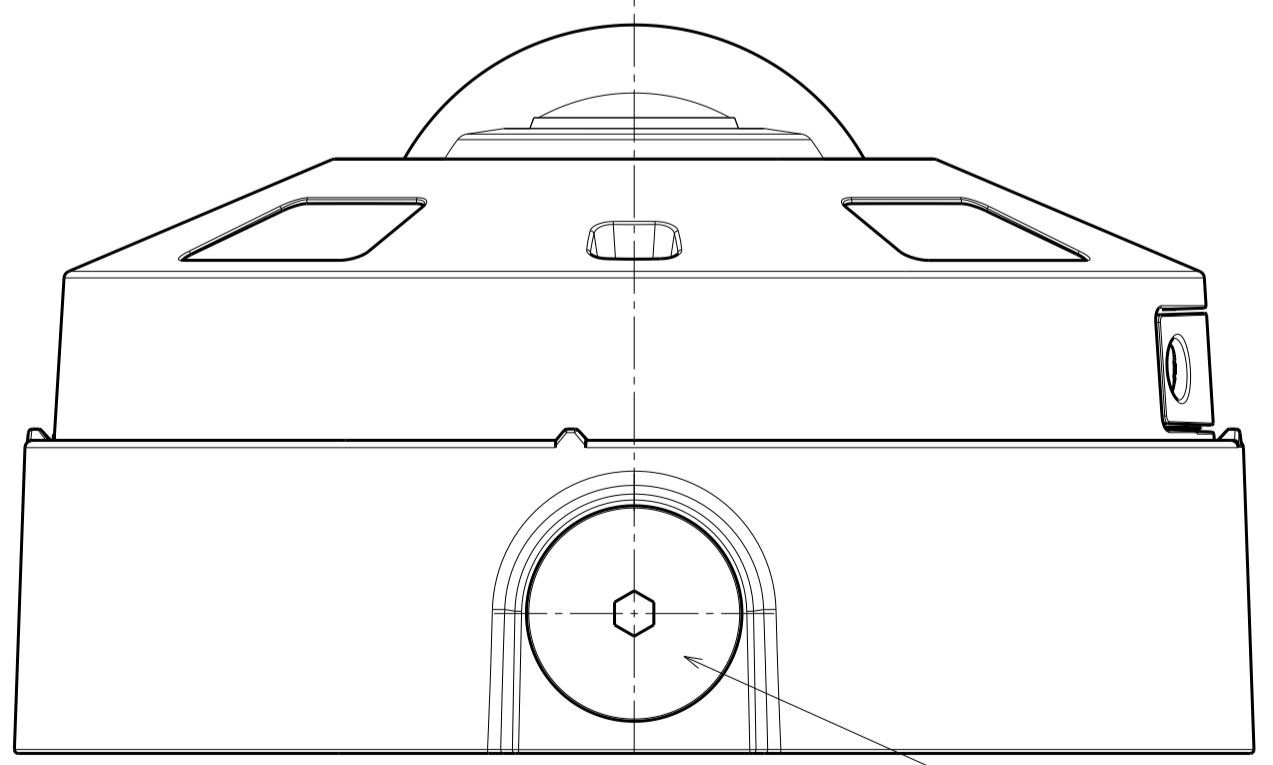
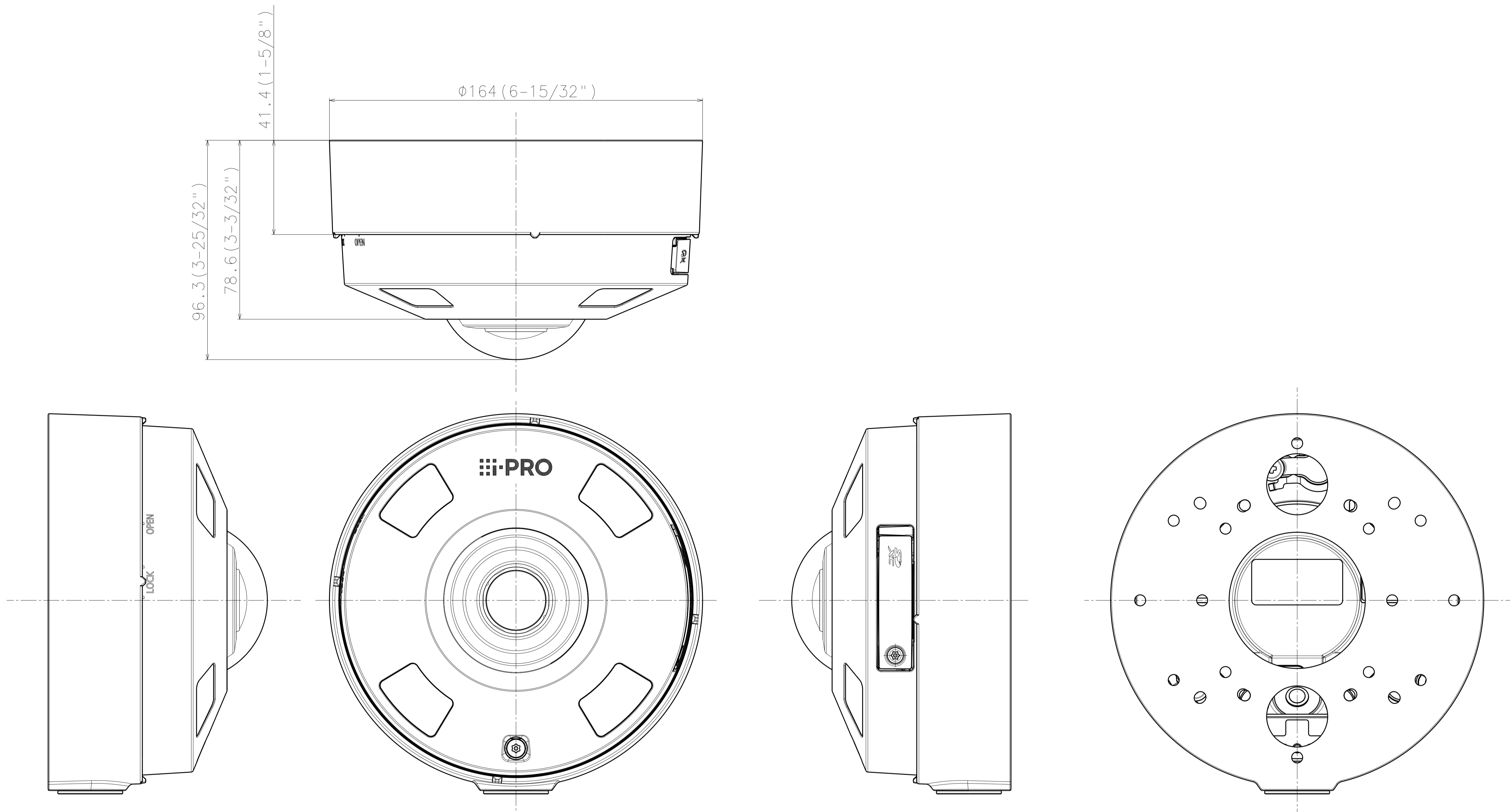
Mass : Approx. 880 g {1.94 lbs} (When using the attachment plate)



SR35 (1-3/8")

Ø154 (6-1/16")

59.3 (2-11/32")  
41.6 (1-5/8")

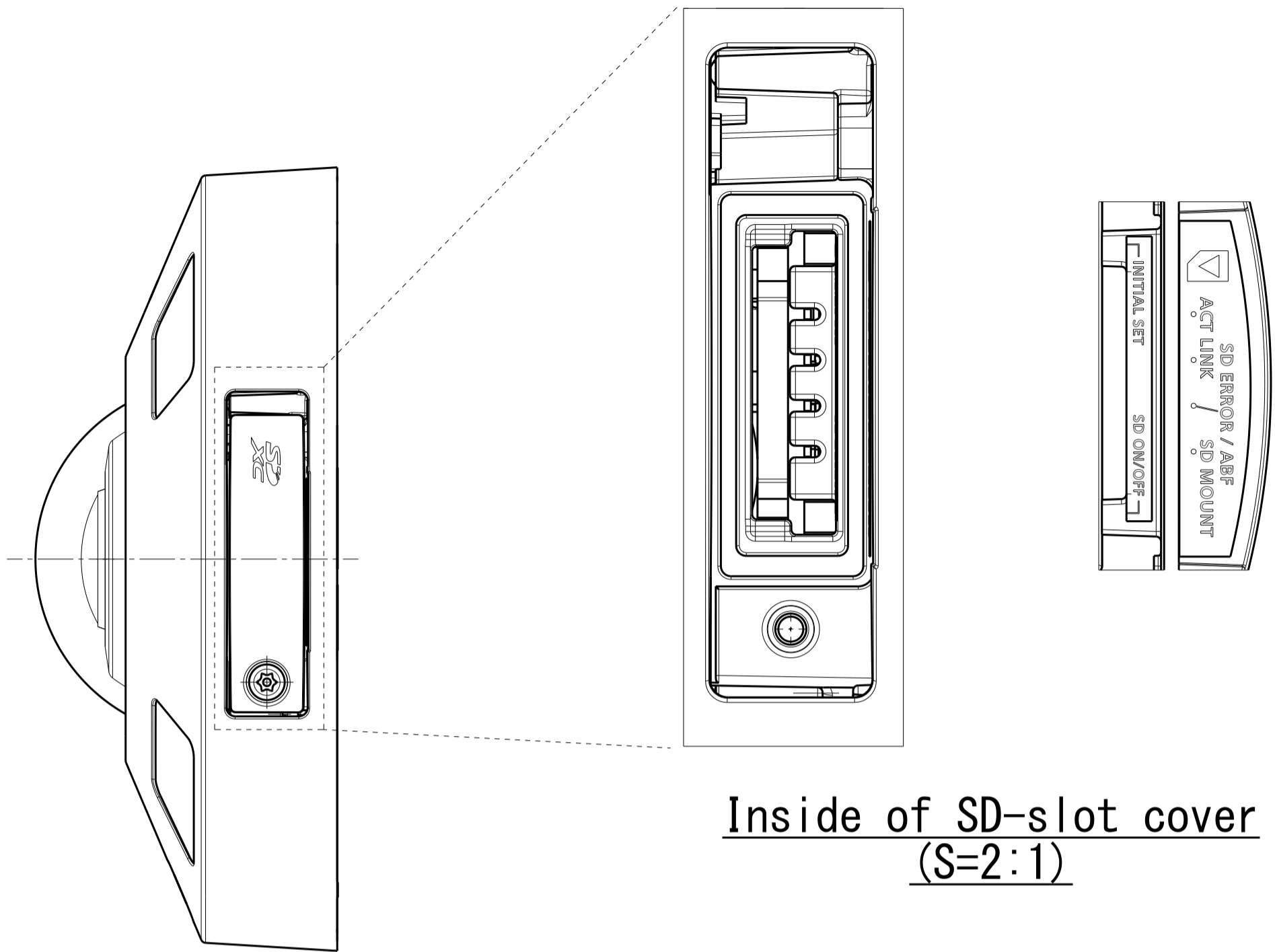


**With Base bracket**

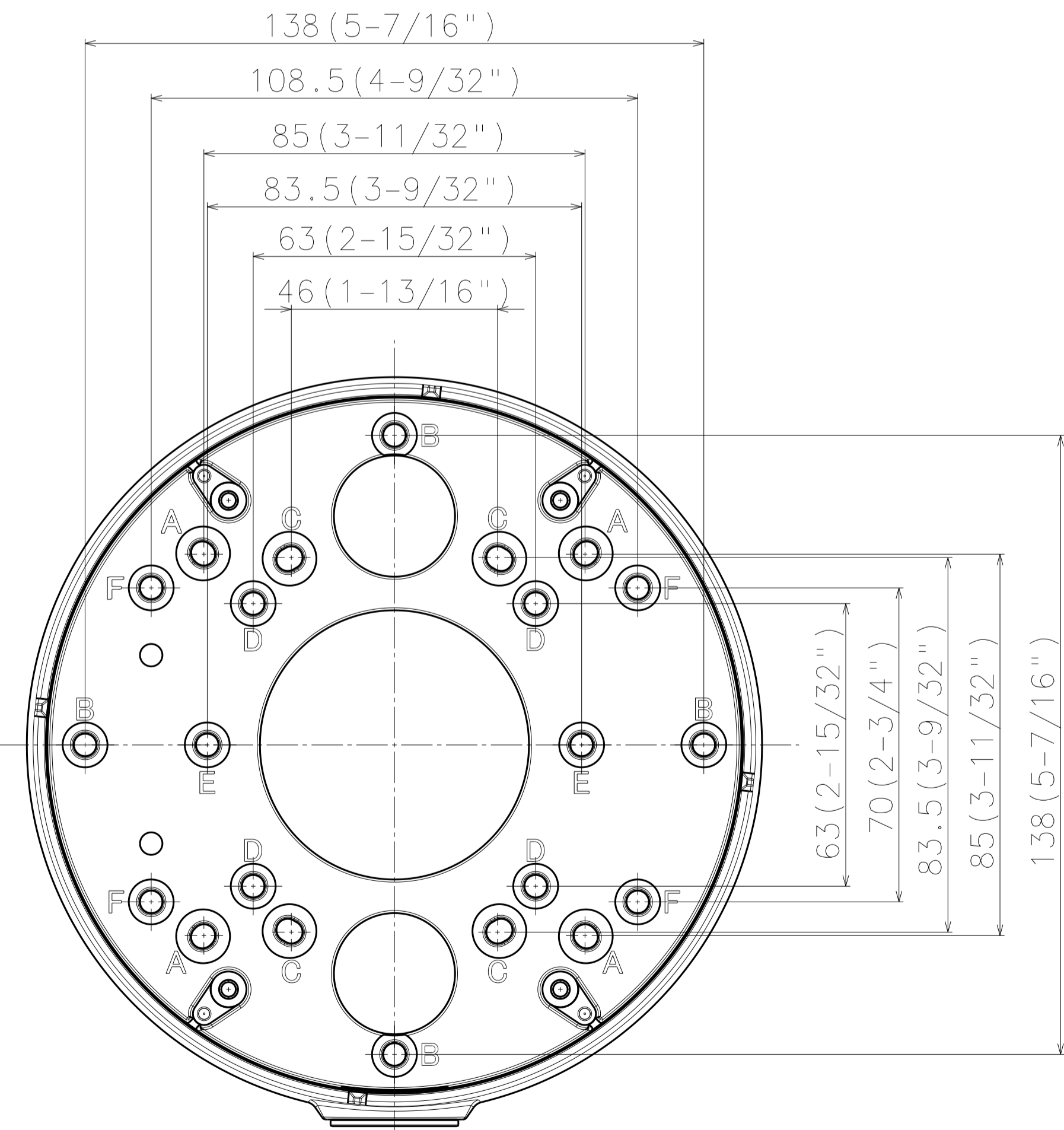
接続管用ねじ  
 CTG22 または G3/4  
 Female thread for conduit  
 NPSM3/4 or G3/4

	投影面積/Projected area (With Base Bracket)
側面図/Side-view	0.013 (m <sup>2</sup> )

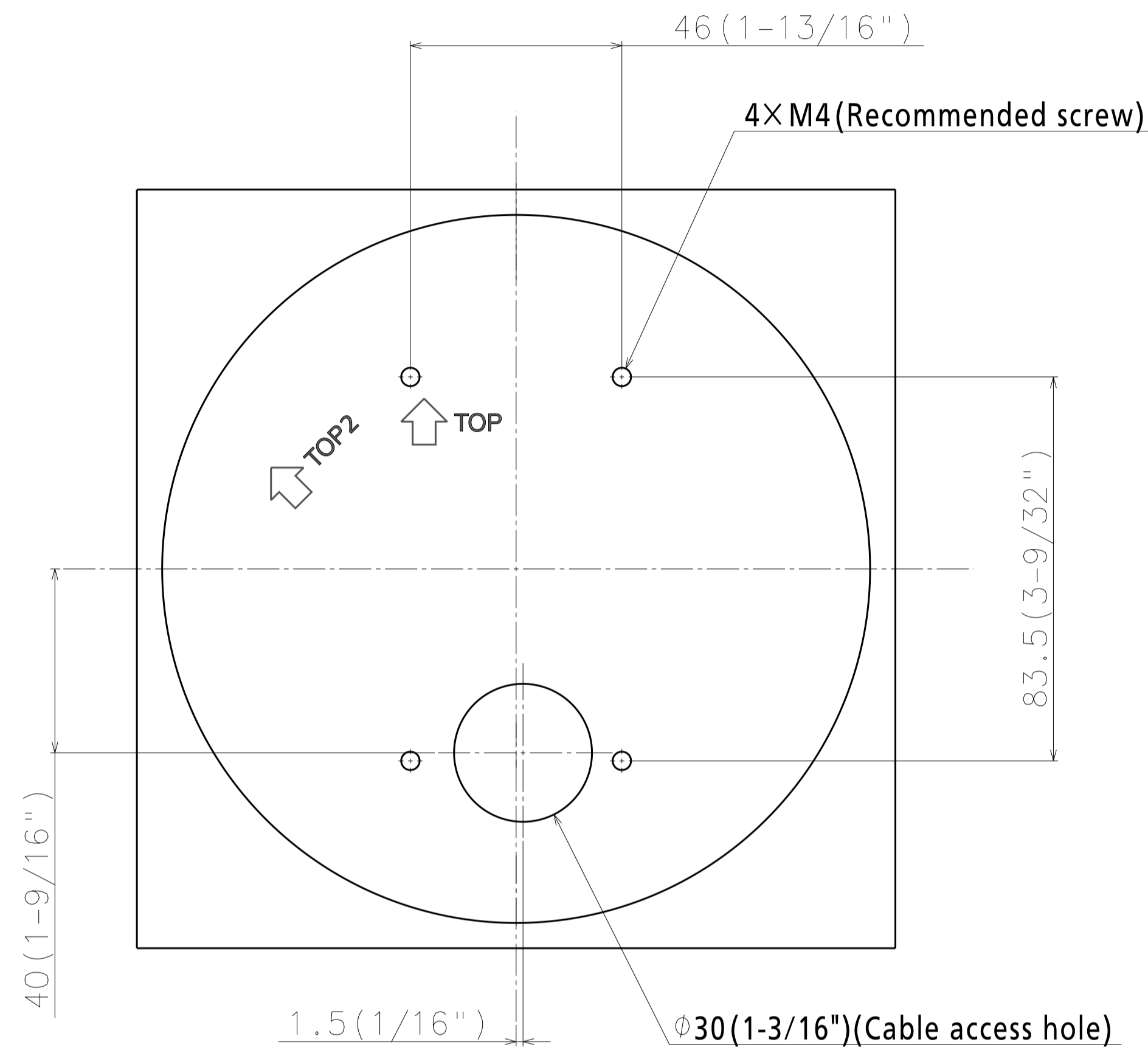
Mass : Approx. 1.3 kg {2.87 lbs} (When using the mounting base bracket)



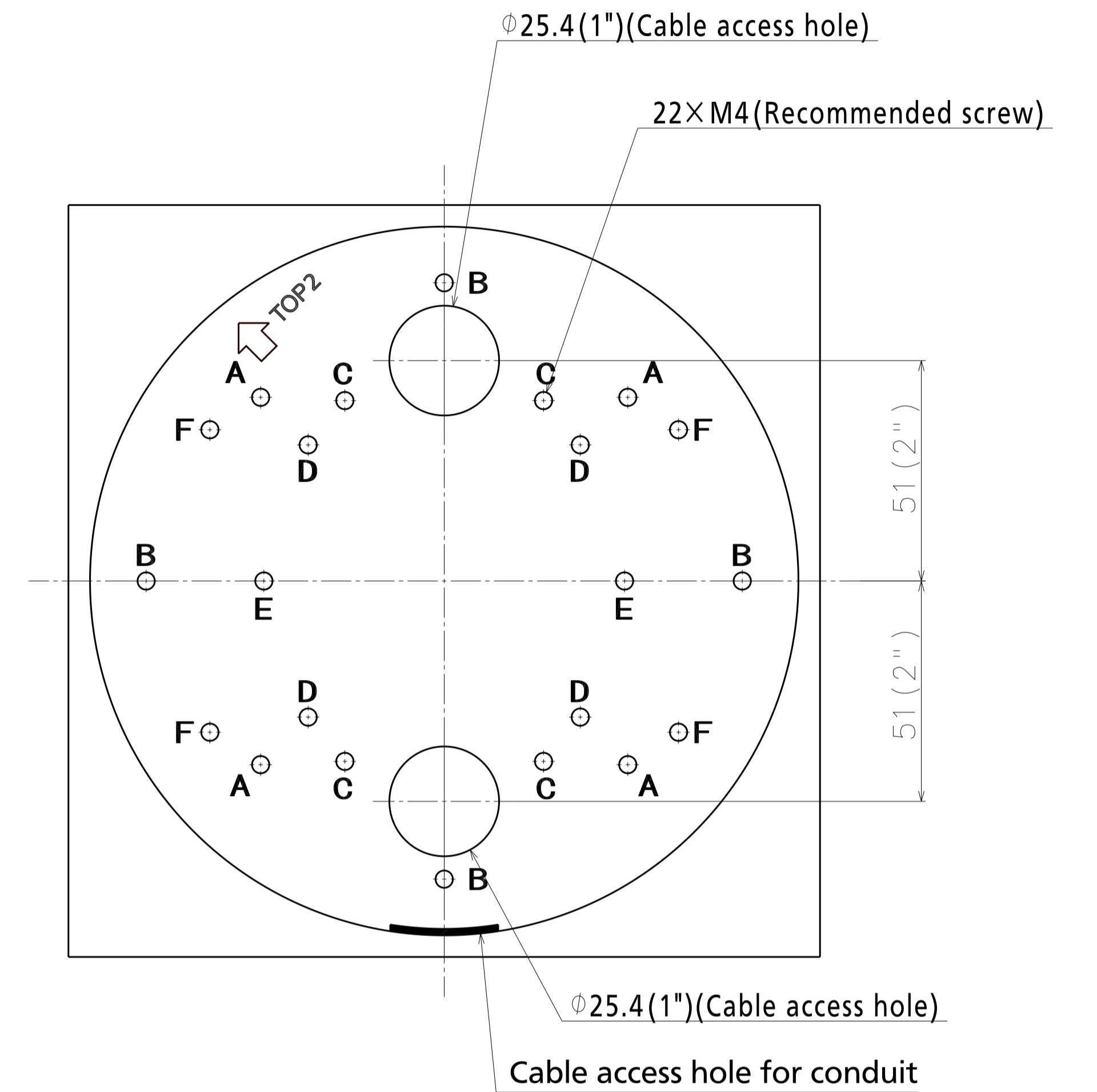
Inside of SD-slot cover  
(S=2:1)



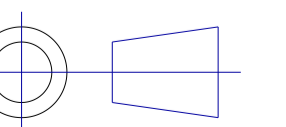
Mounting hole layout



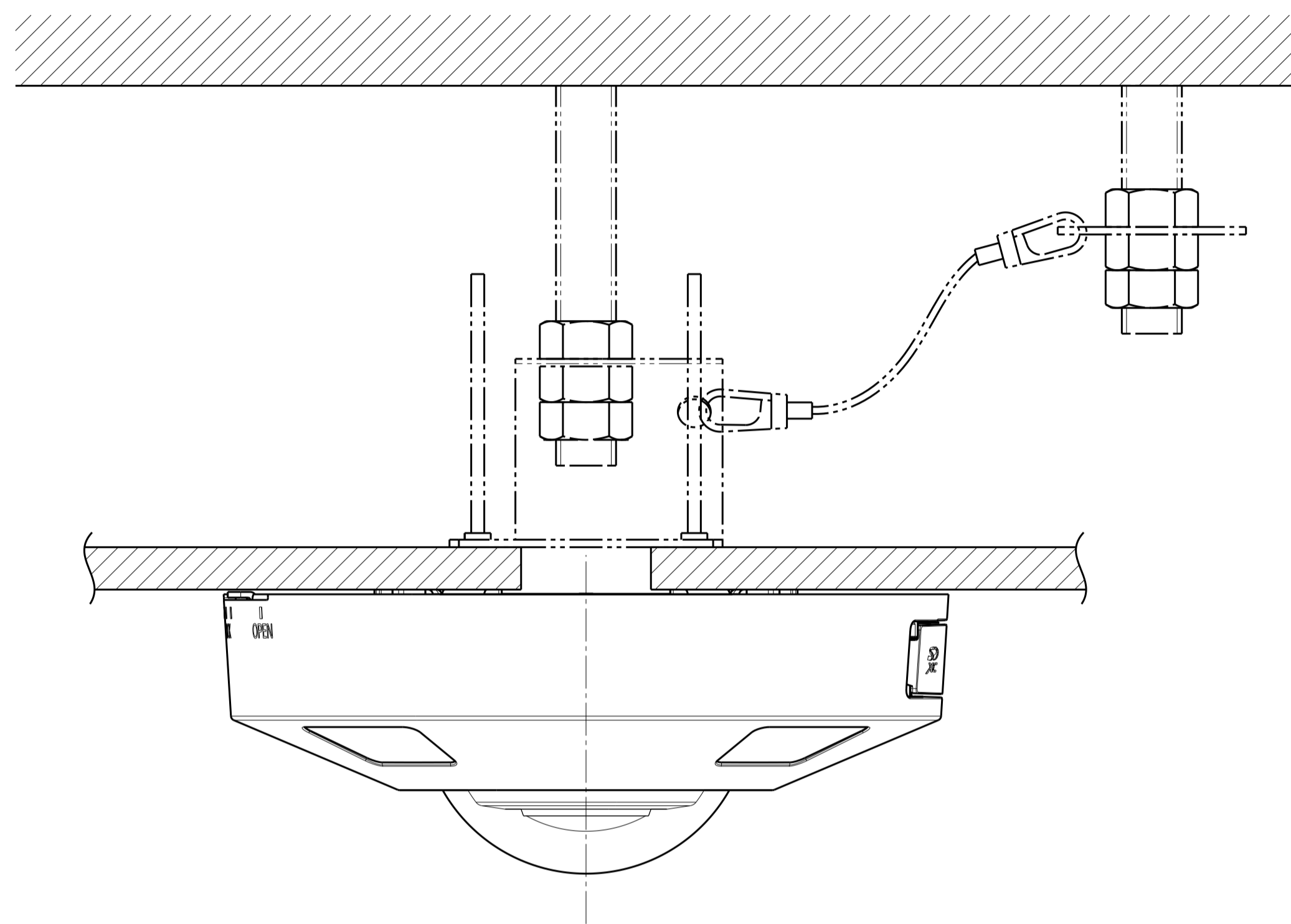
Template for mounting



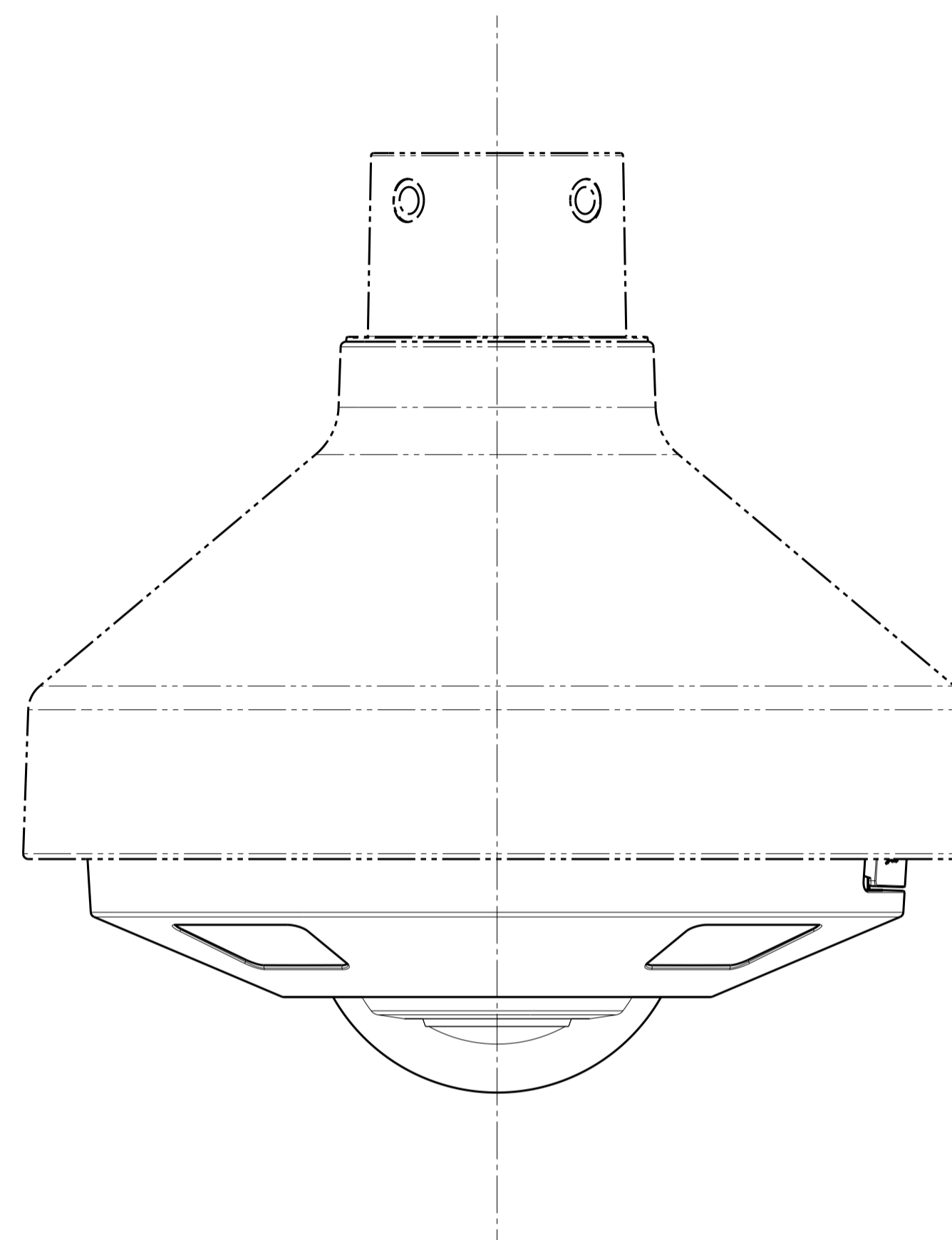
Mounting hole layout



金具との組み合わせ例  
Example of combination with bracket

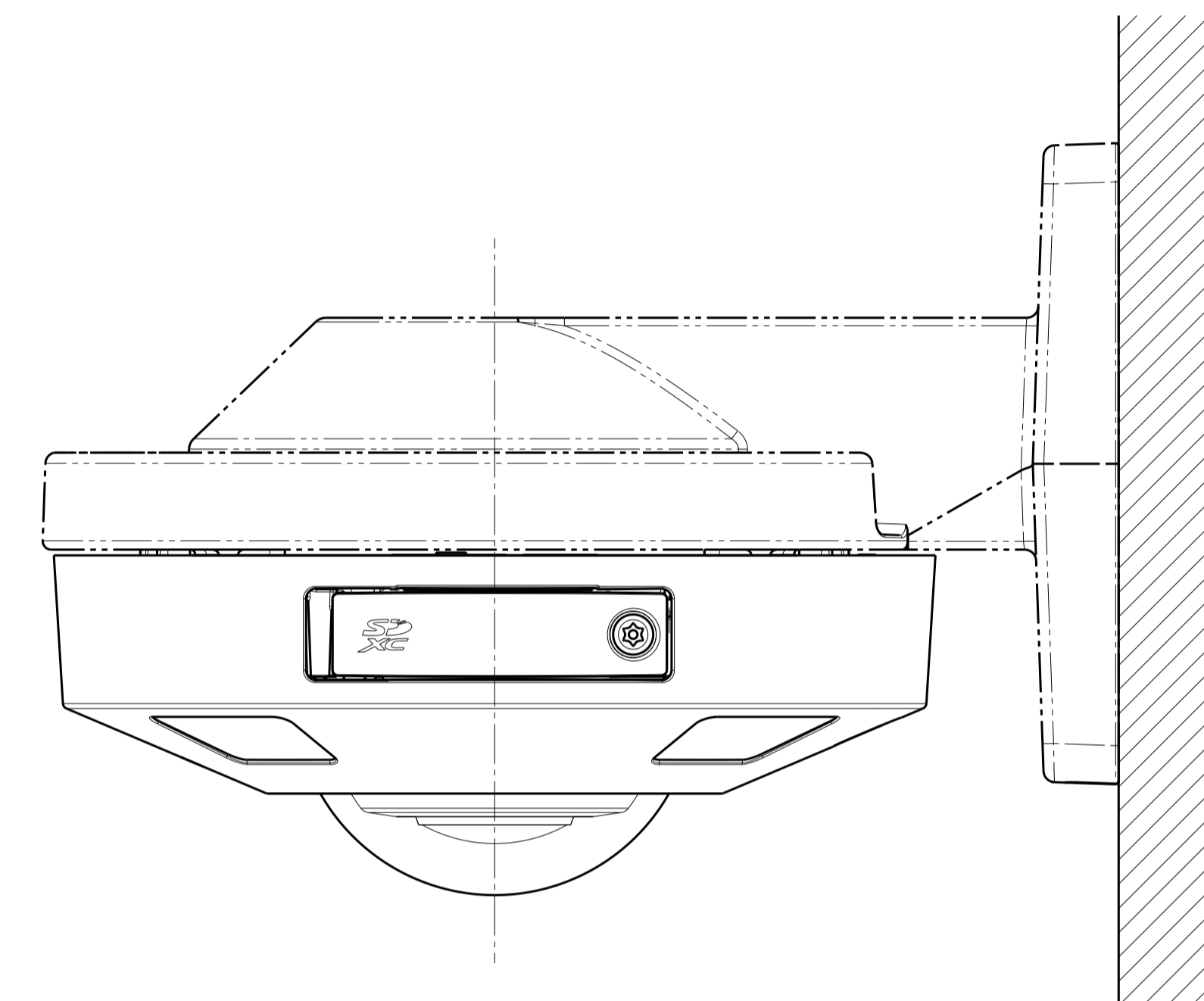


Attach to WV-Q105A



Attach to WV-QSR501-W

	投影面積/Projected area
側面図/Side-view	0.016 (m <sup>2</sup> )



Attach to WV-QWL500-W

	投影面積/Projected area
側面図/Side-view	0.014 (m <sup>2</sup> )