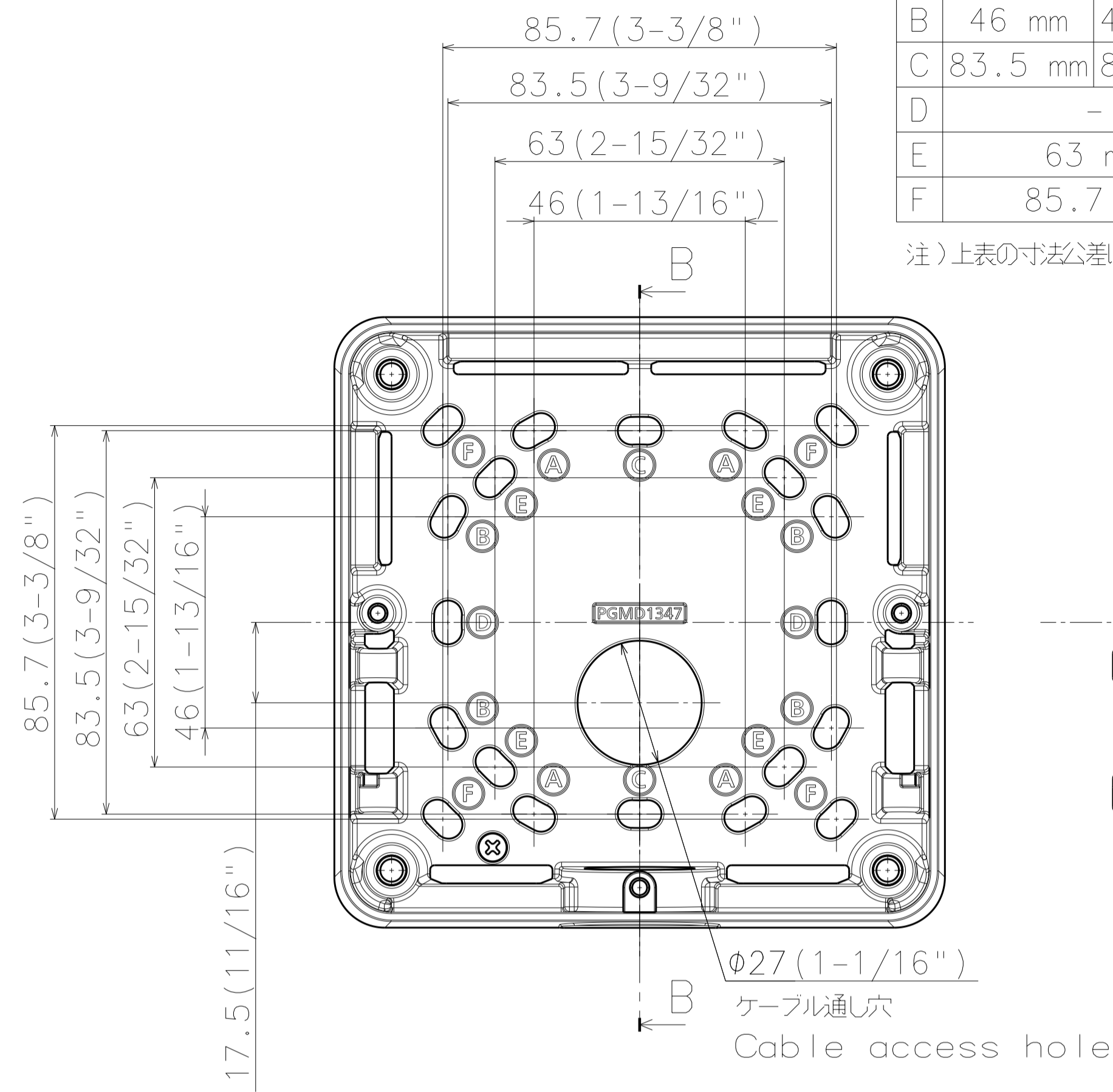


	投影面積/Projected area
平面図/Top-view	0.033 (m ²)
側面図/Side-view	0.030 (m ²)

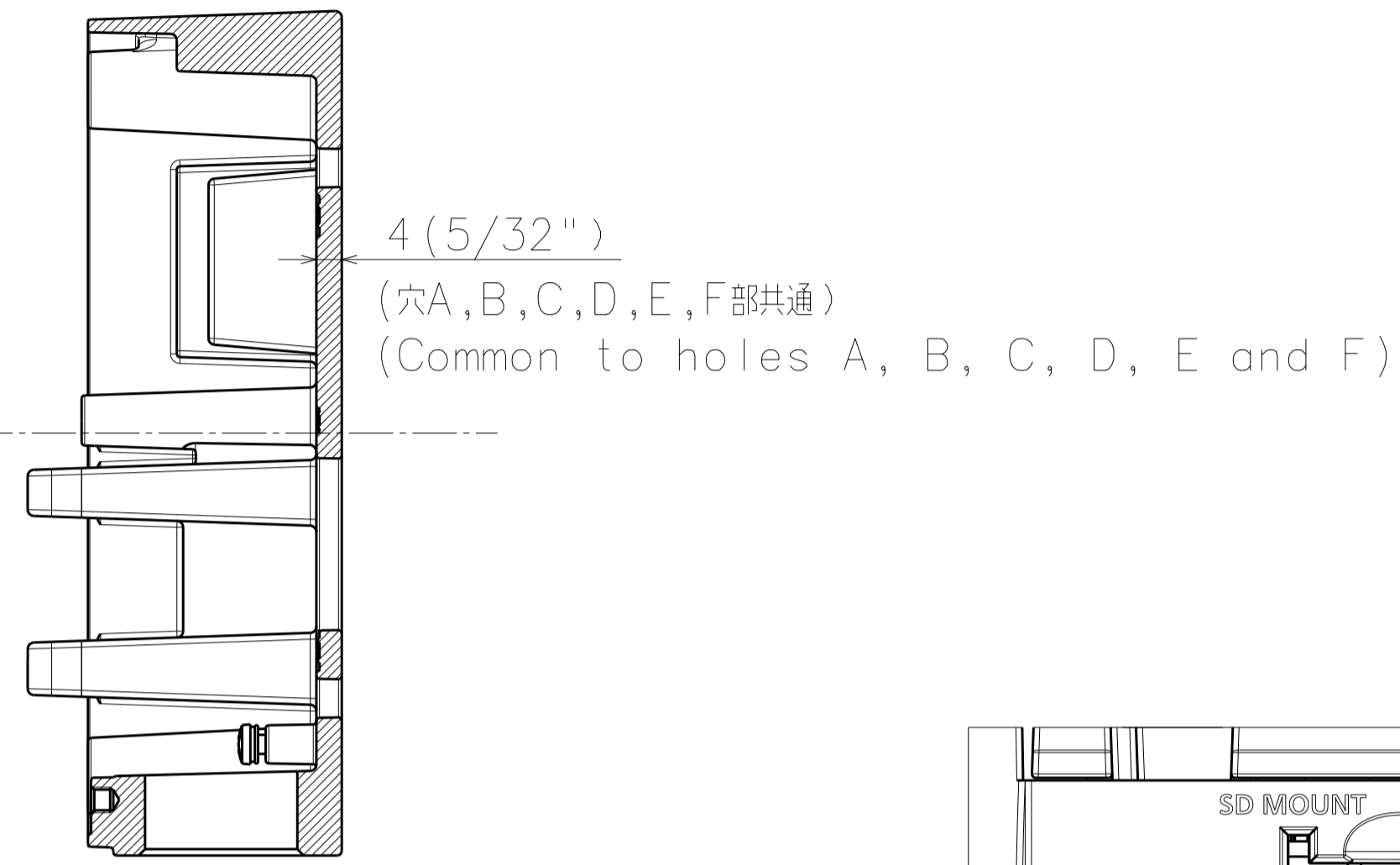
Mass : Approx. 2.4 kg {5.3 lbs}

	縦 / Vertical		横 / Horizontal		使用ねじ(個数) / Screw (pcs)
A	83.5 mm	82.5 mm	46 mm	47.6 mm	M4 (4個 / 4 pcs)
B	46 mm	47.6 mm	83.5 mm	82.5 mm	M4 (4個 / 4 pcs)
C	83.5 mm	83.3 mm	-		M4 (2個 / 2 pcs)
D	-		83.5 mm	83.3 mm	M4 (2個 / 2 pcs)
E	63 mm		63 mm		M4 (4個 / 4 pcs)
F	85.7 mm		85.7 mm		M4 (4個 / 4 pcs)

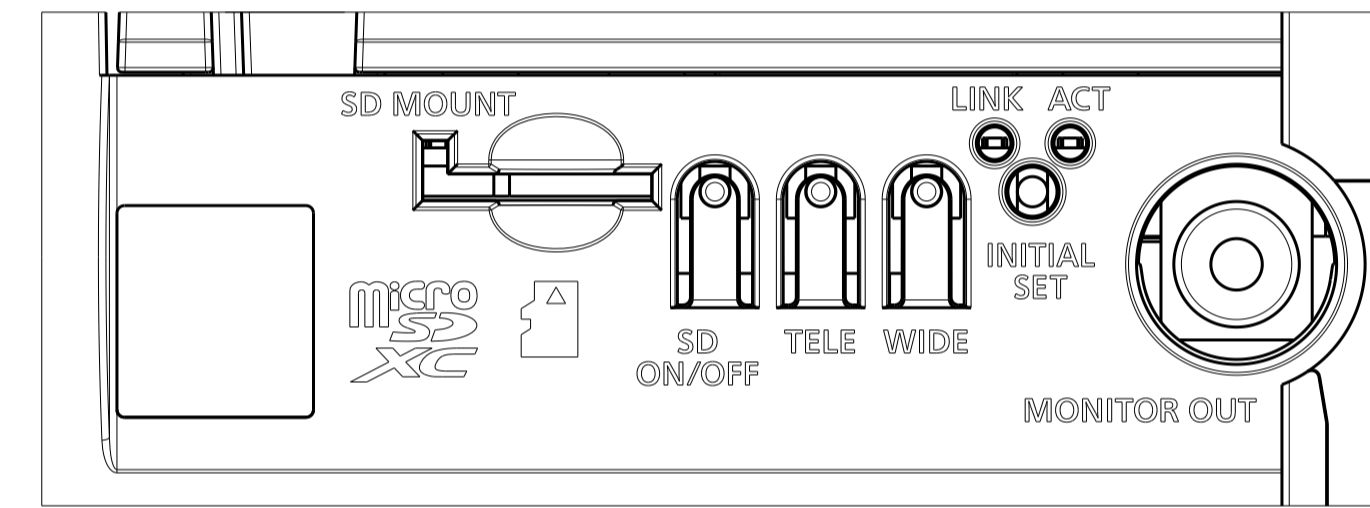
注) 上表の寸法公差は±0.2 mm / Tolerance ±0.2 mm



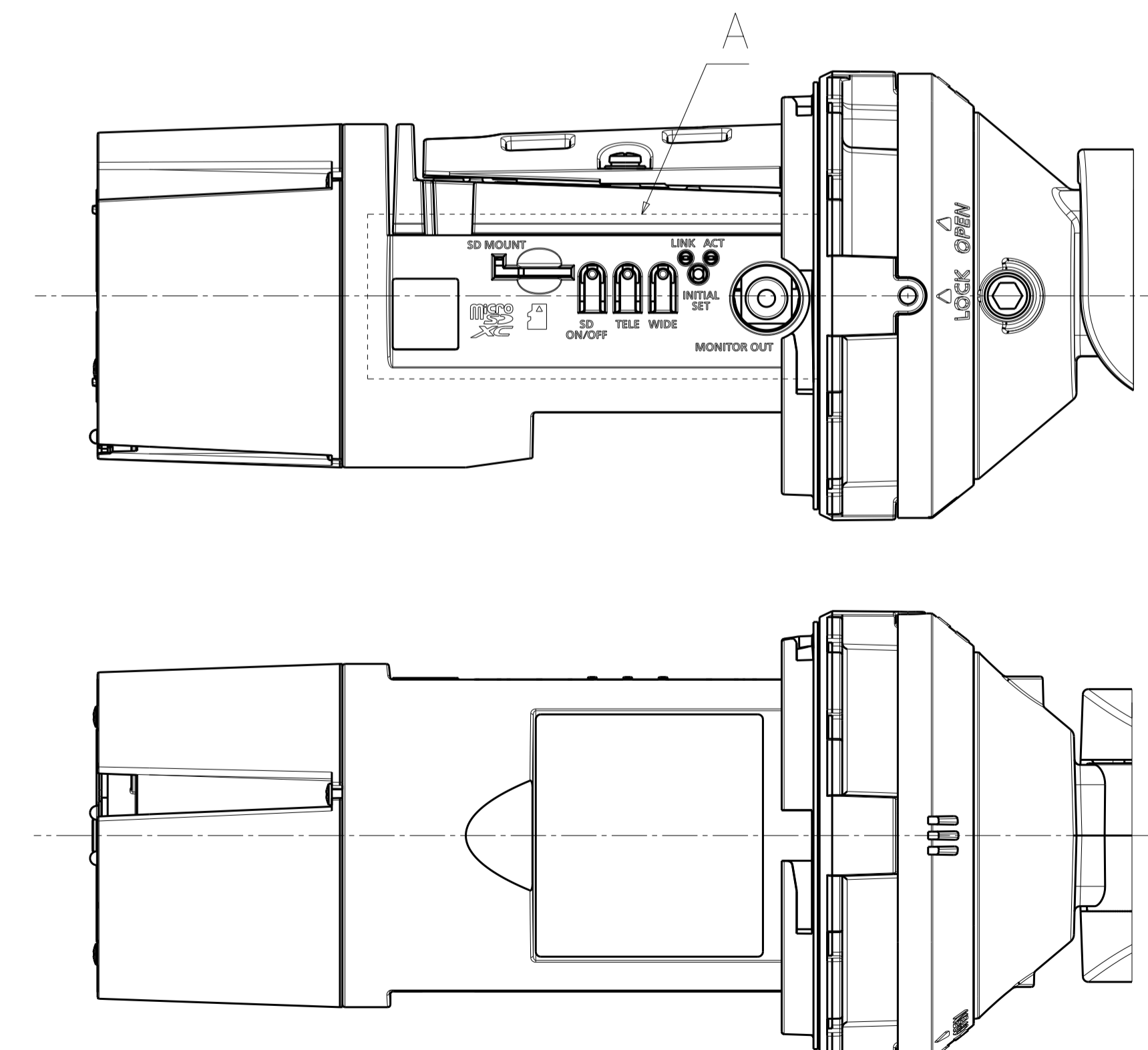
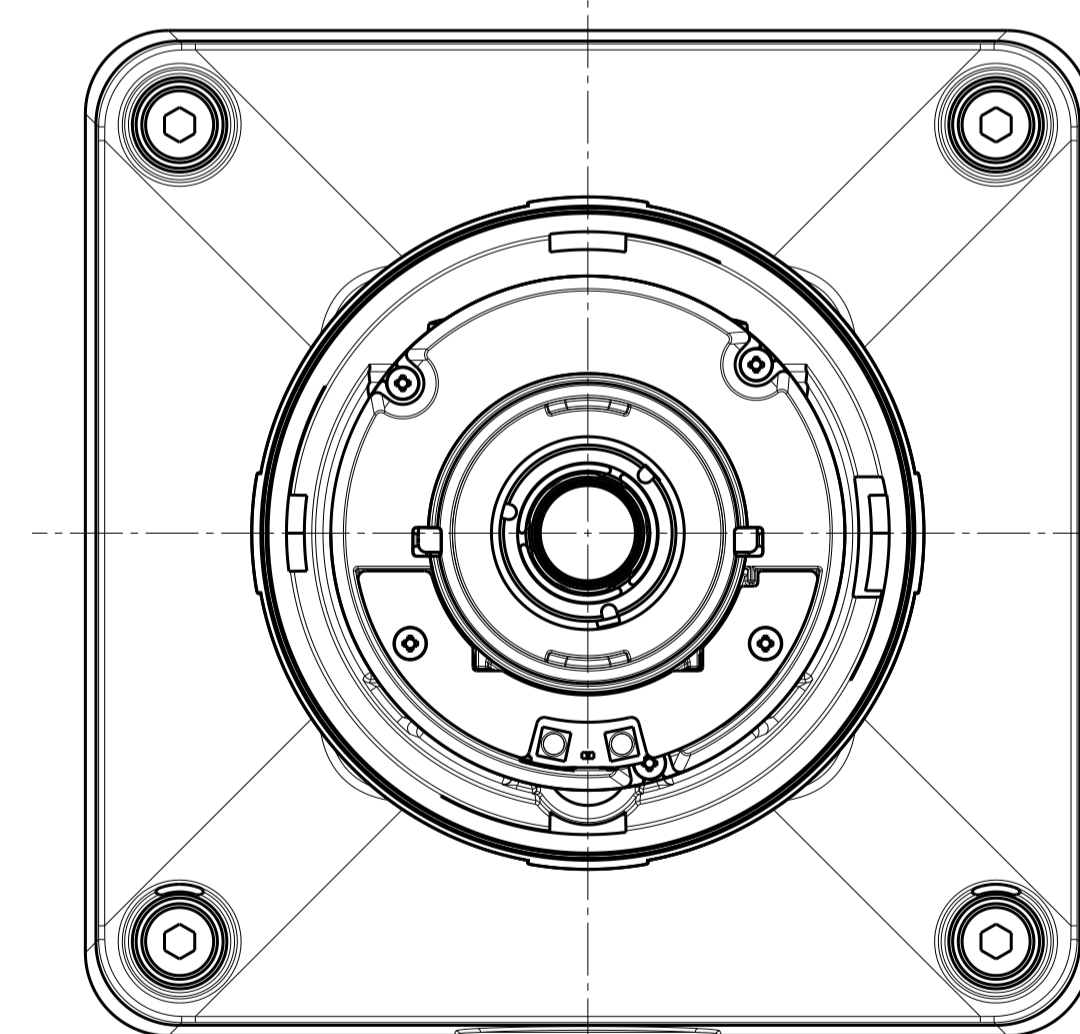
Mounting hole layout

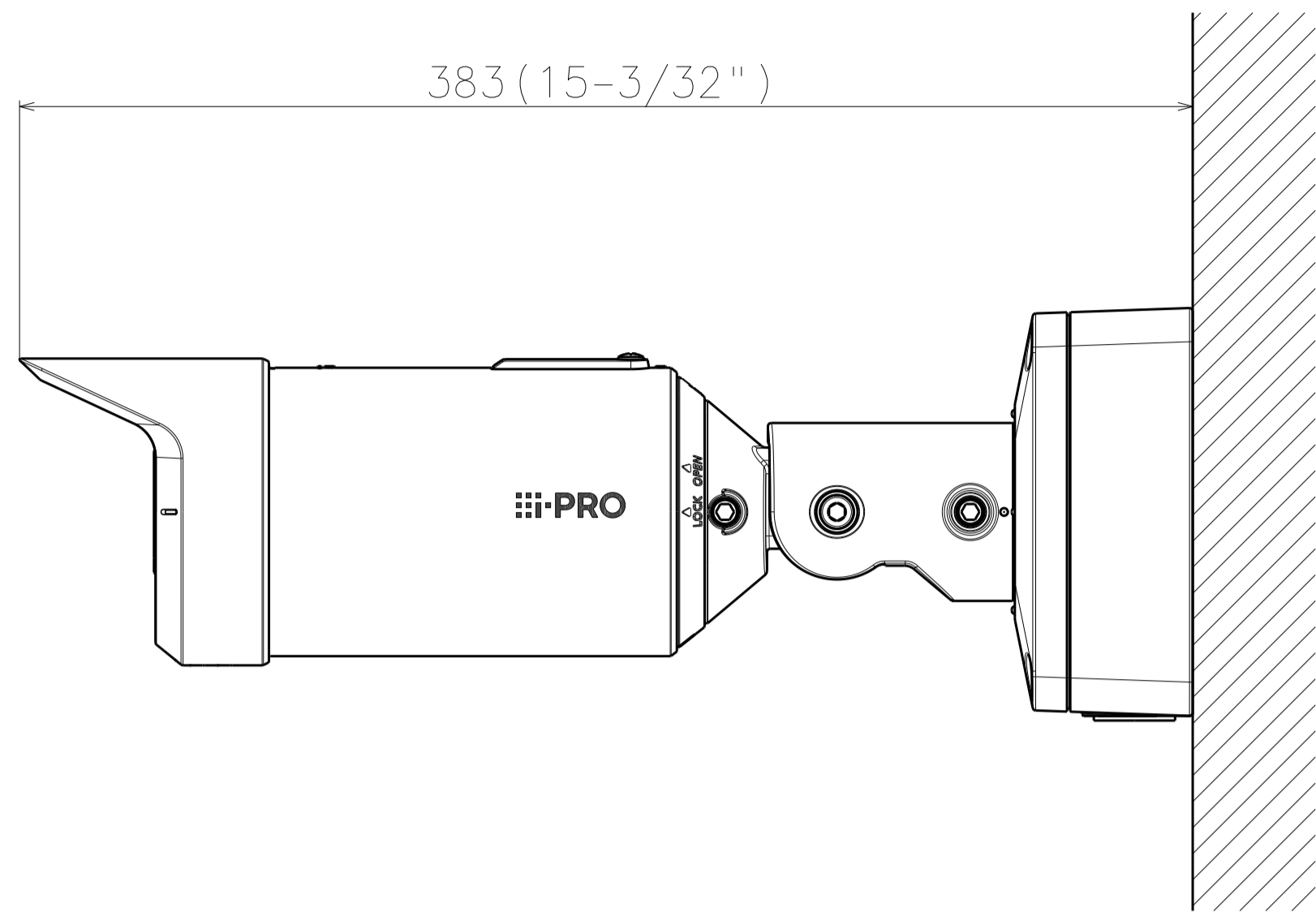


SecB-B

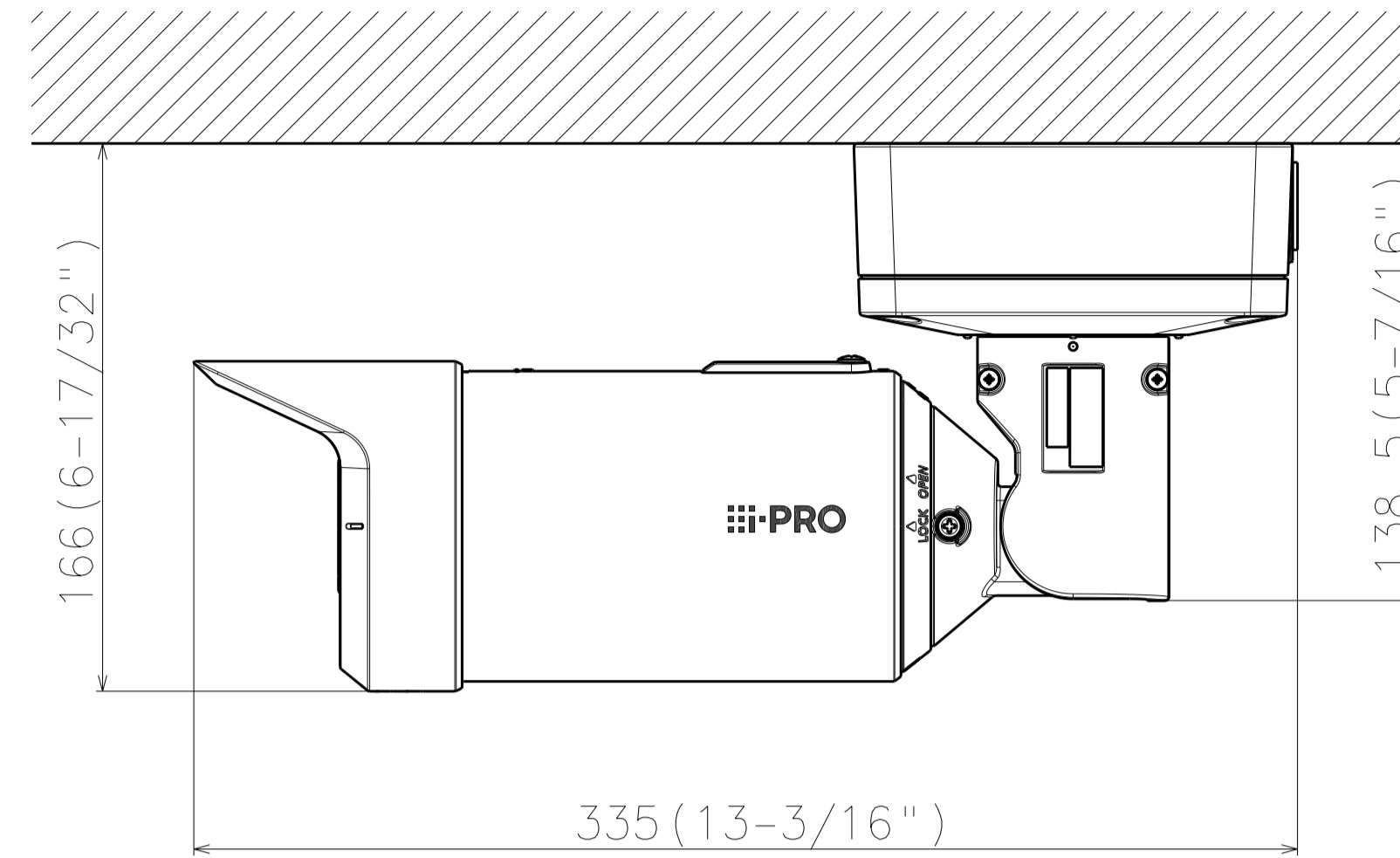
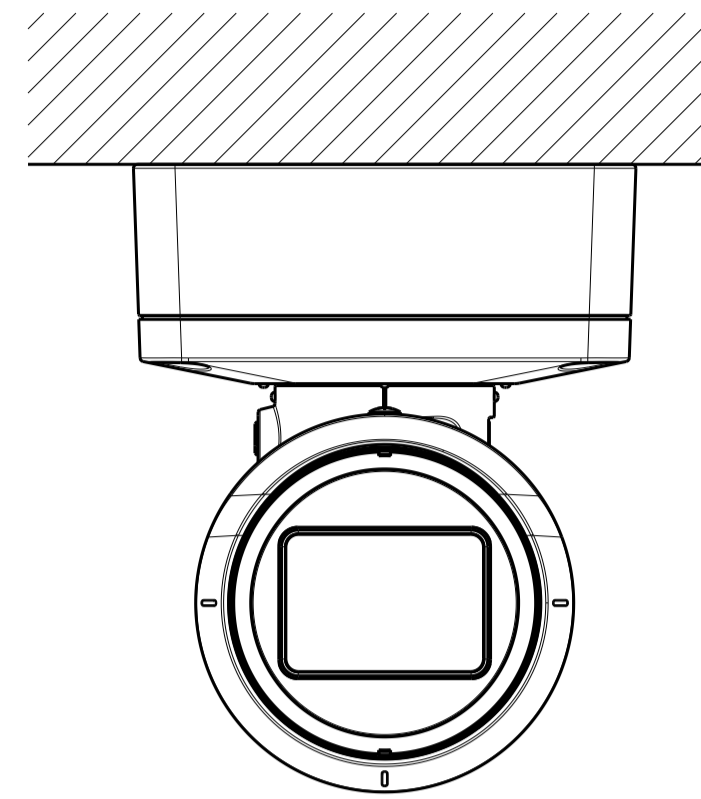


Detail A (2:1)

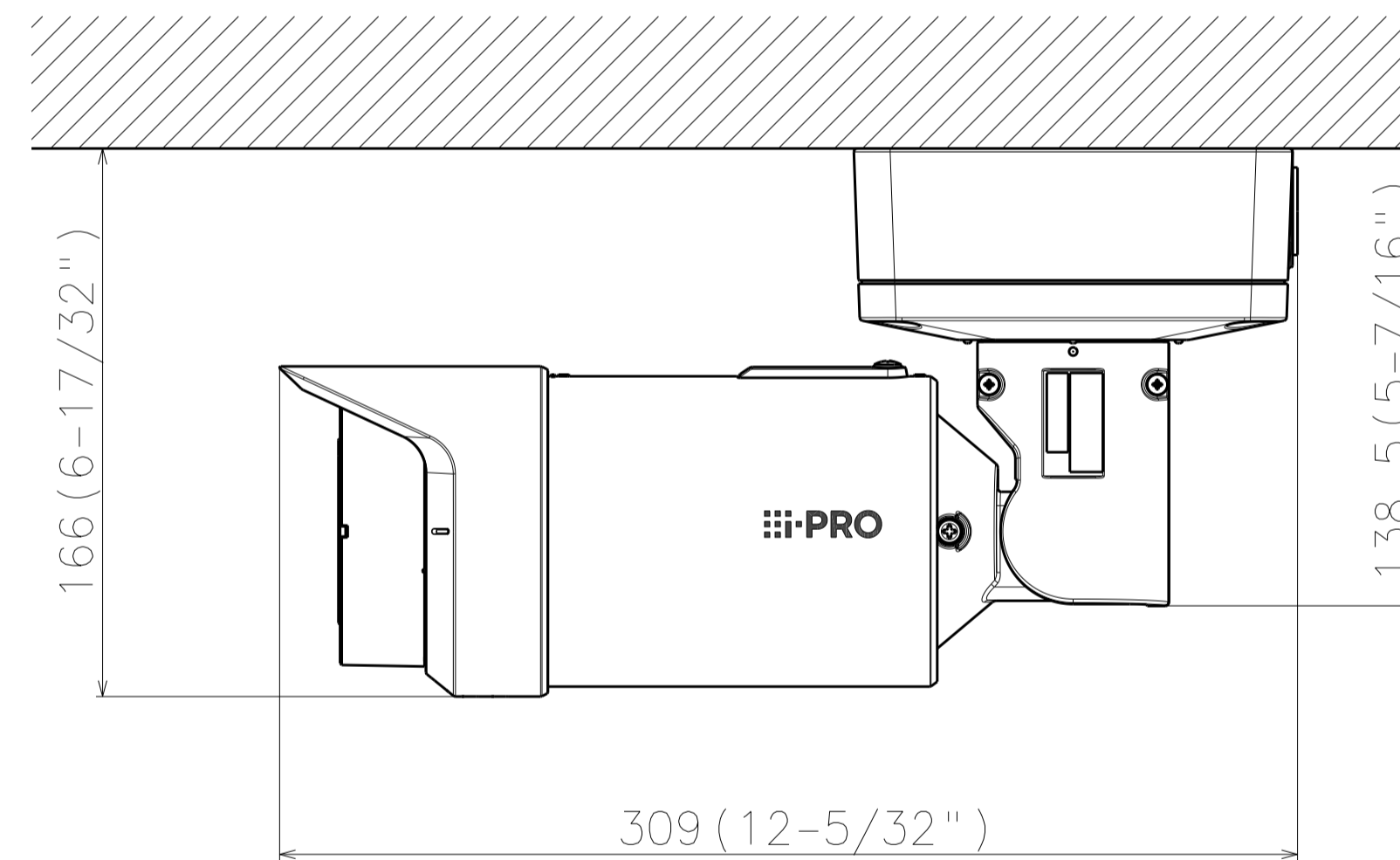
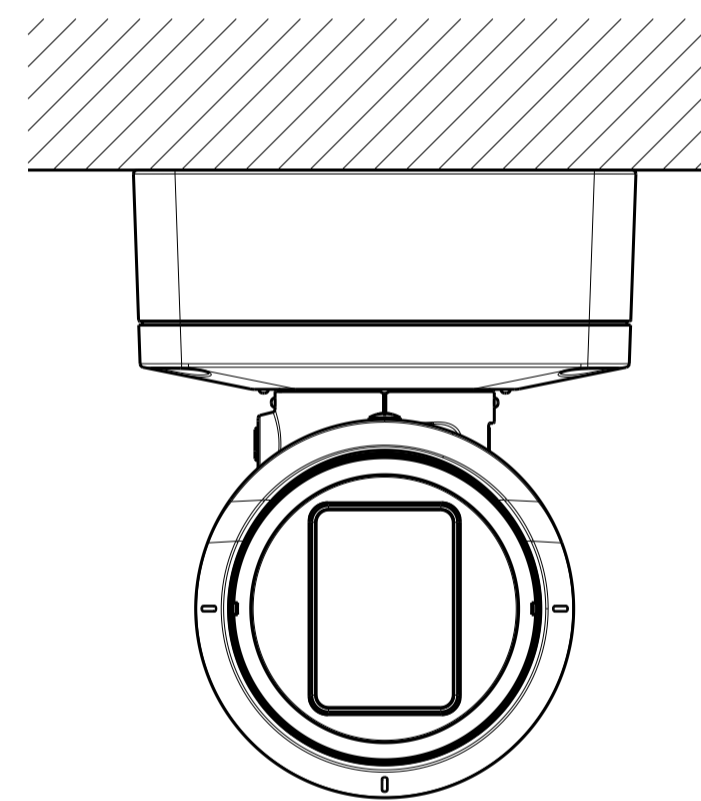
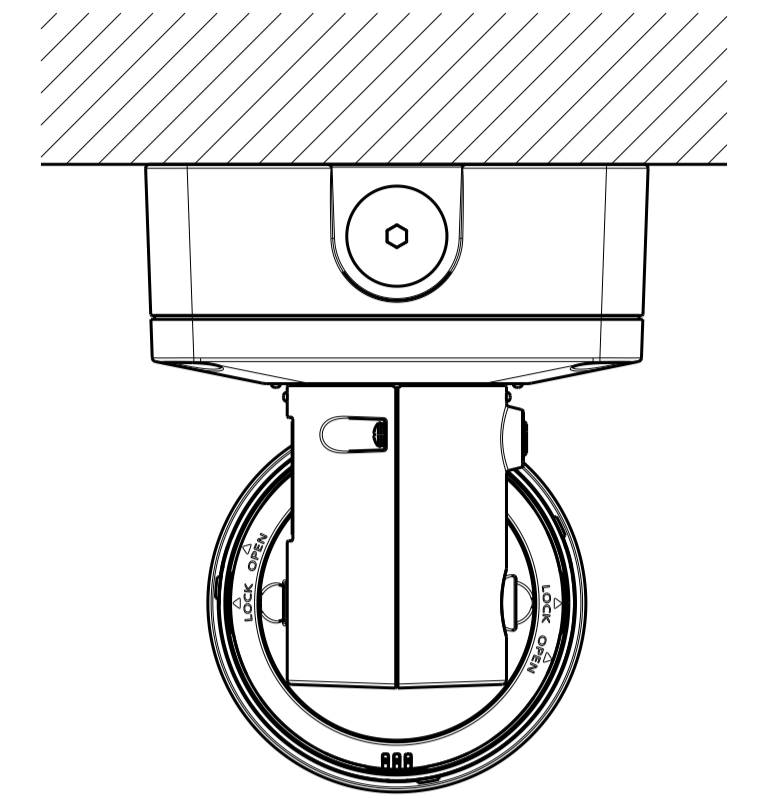




工事後の取付状態
Mounted state after construction



工事後の取付状態
Mounted state after construction



サンシェードを回転させた場合の設置状態
Installation condition for rotating the sunshade

