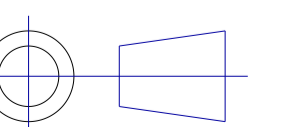


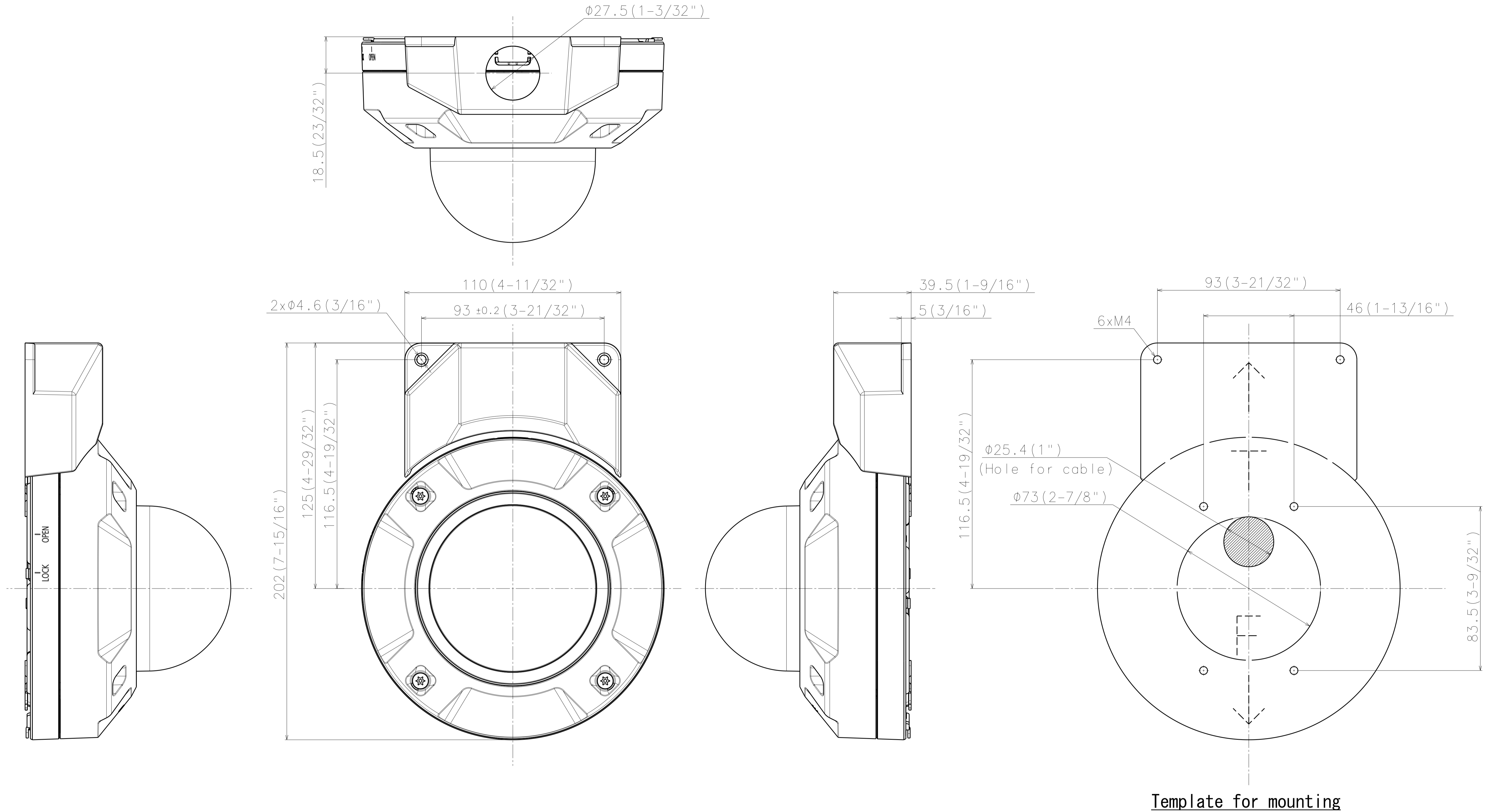
**With Attachment plate**

側面図/Side-view	投影面積/Projected area 0.011 (m <sup>2</sup> )
---------------	--

Mass : Approx. 1.1 kg {2.43 lbs} (Excluding attachment for the conduit portion)

Unit:mm





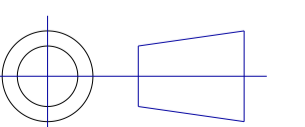
With Attachment for the conduit

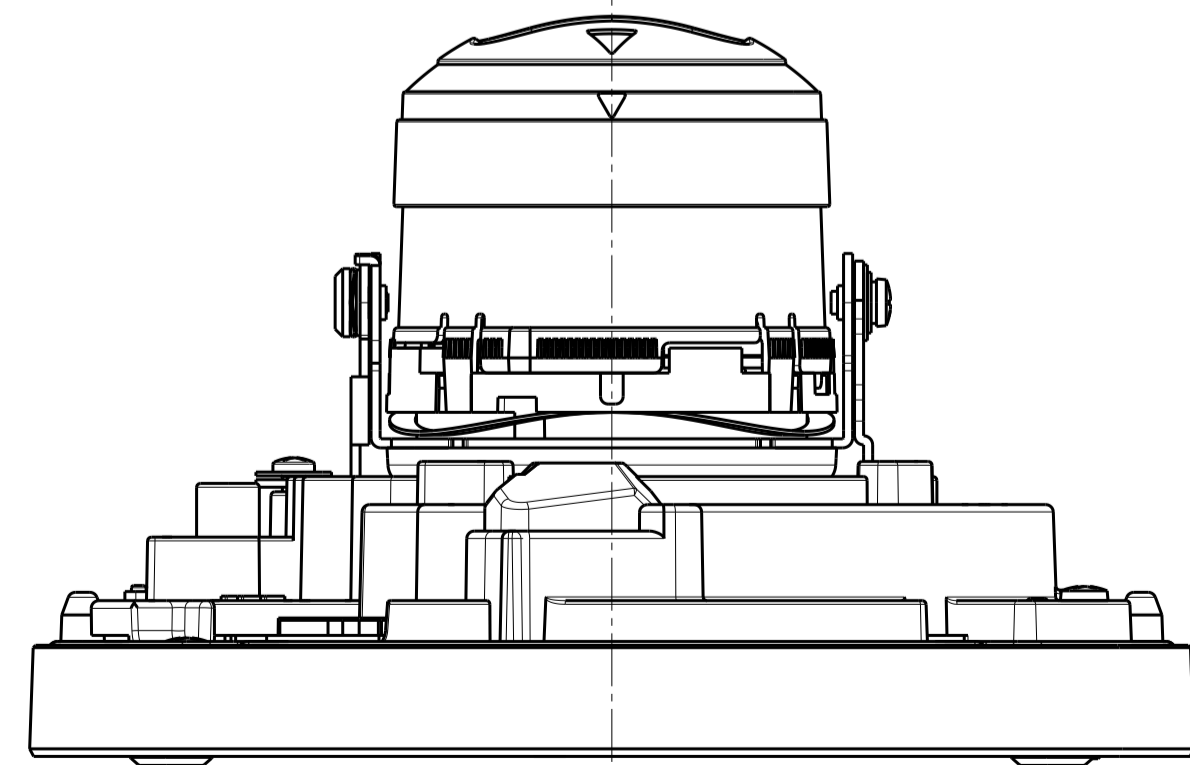
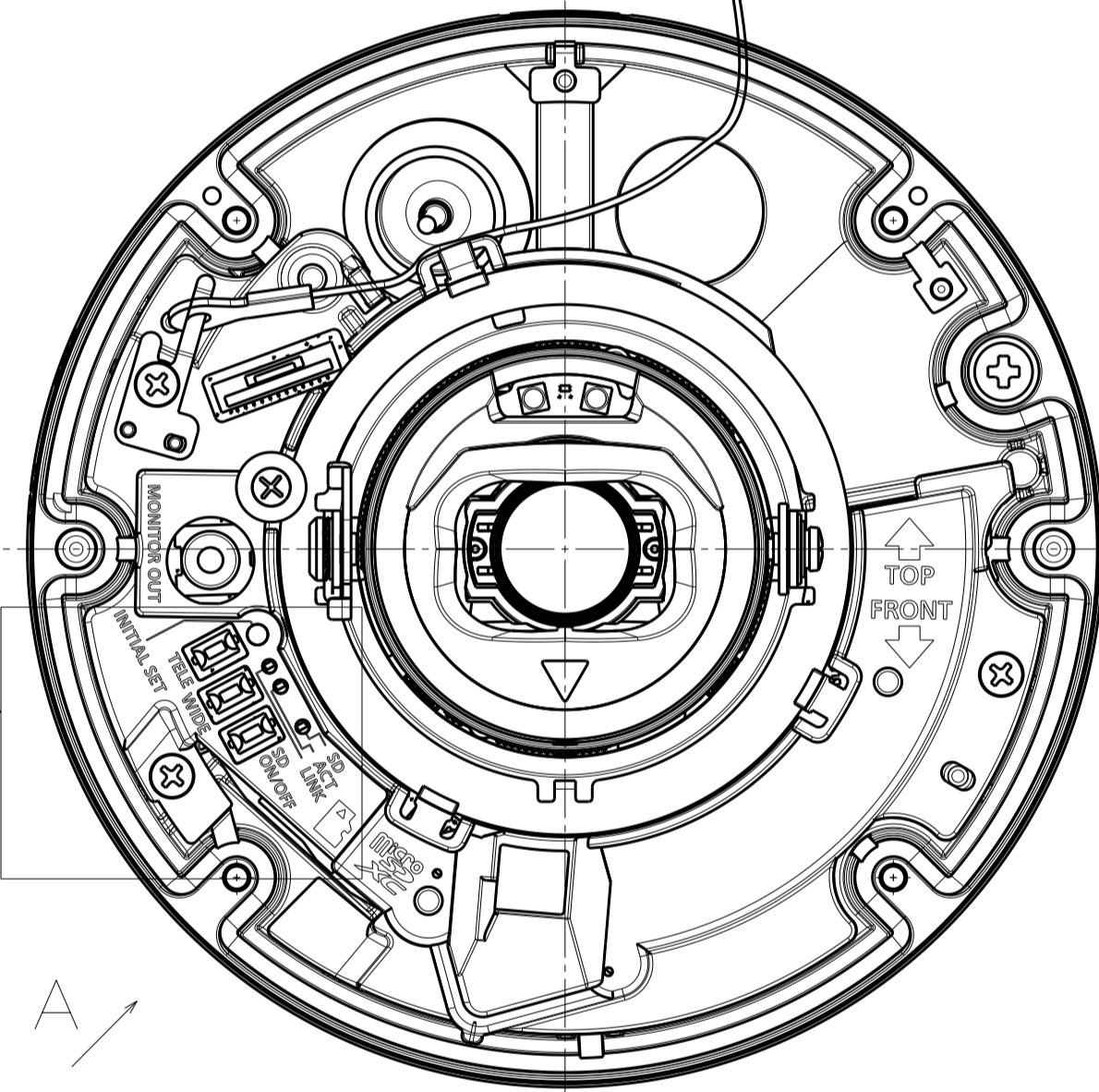
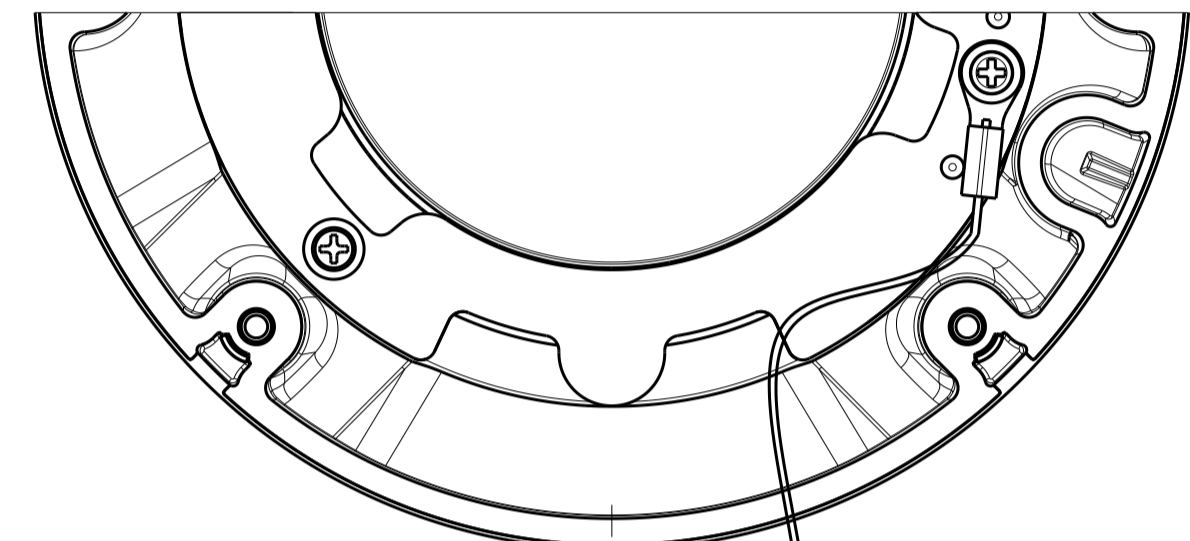
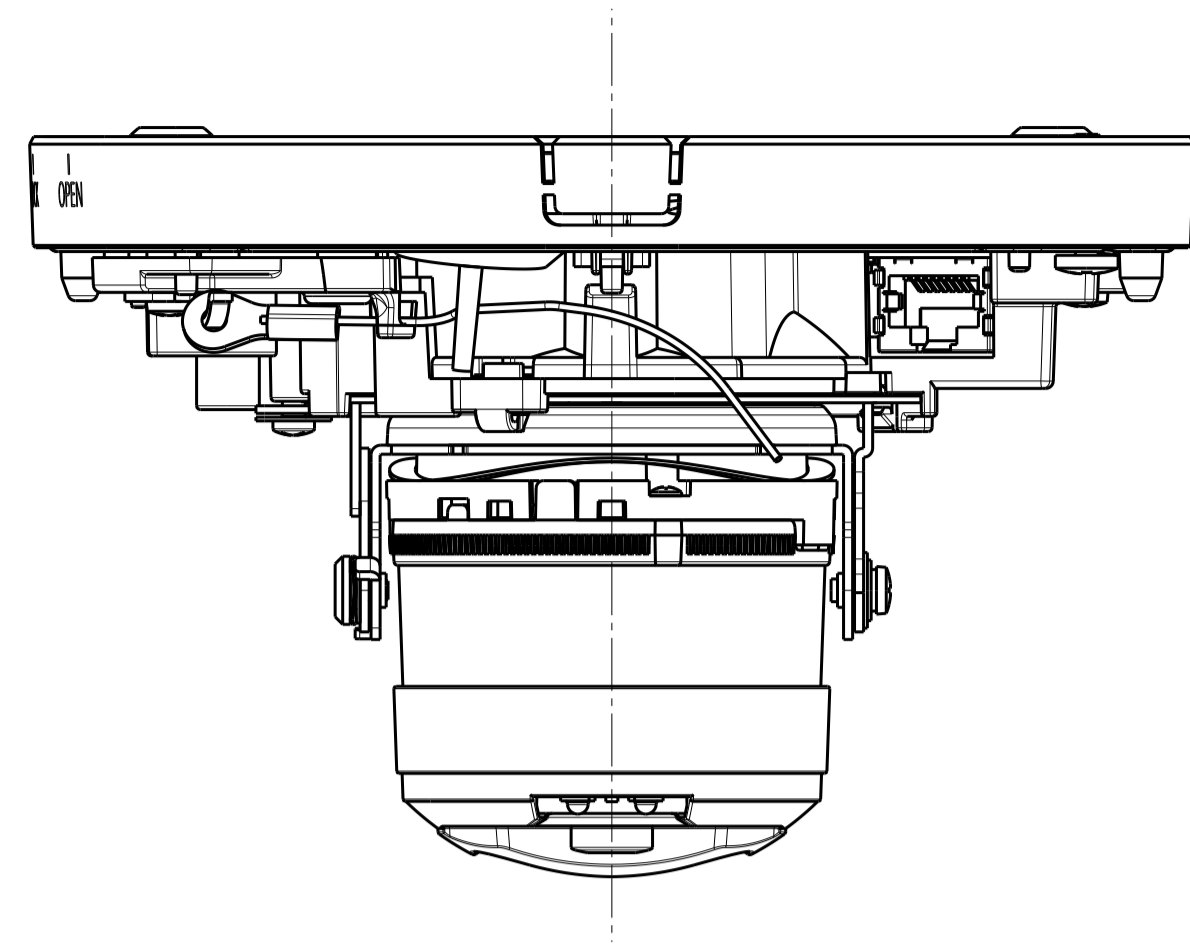
Template for mounting

側面図/Side-view	投影面積/Projected area
	0.013 (m <sup>2</sup> )

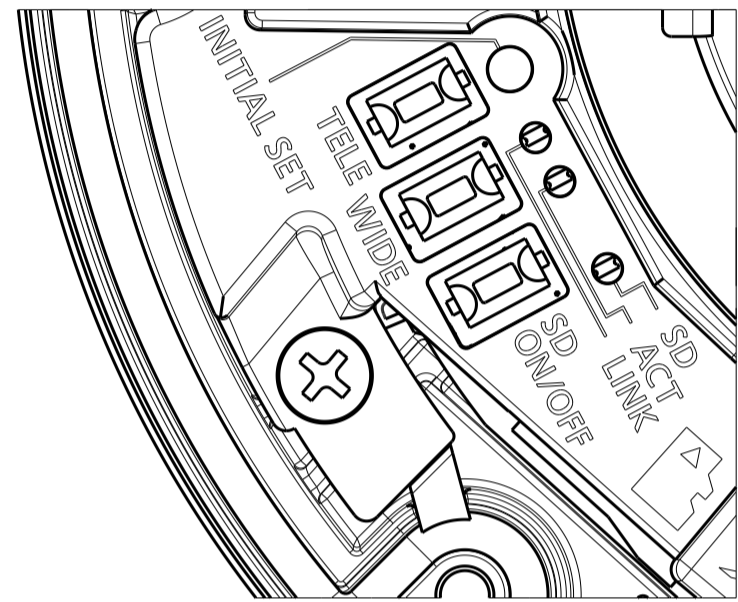
Mass : Approx. 1.15 kg {2.54 lbs} (With Attachment for the conduit)

Unit:mm

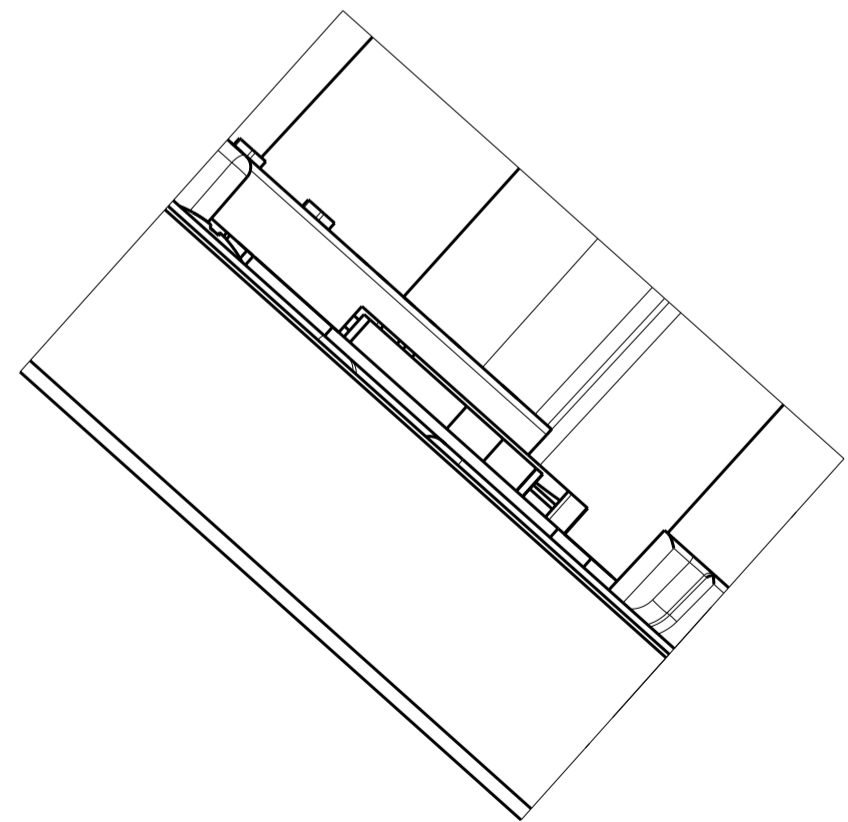




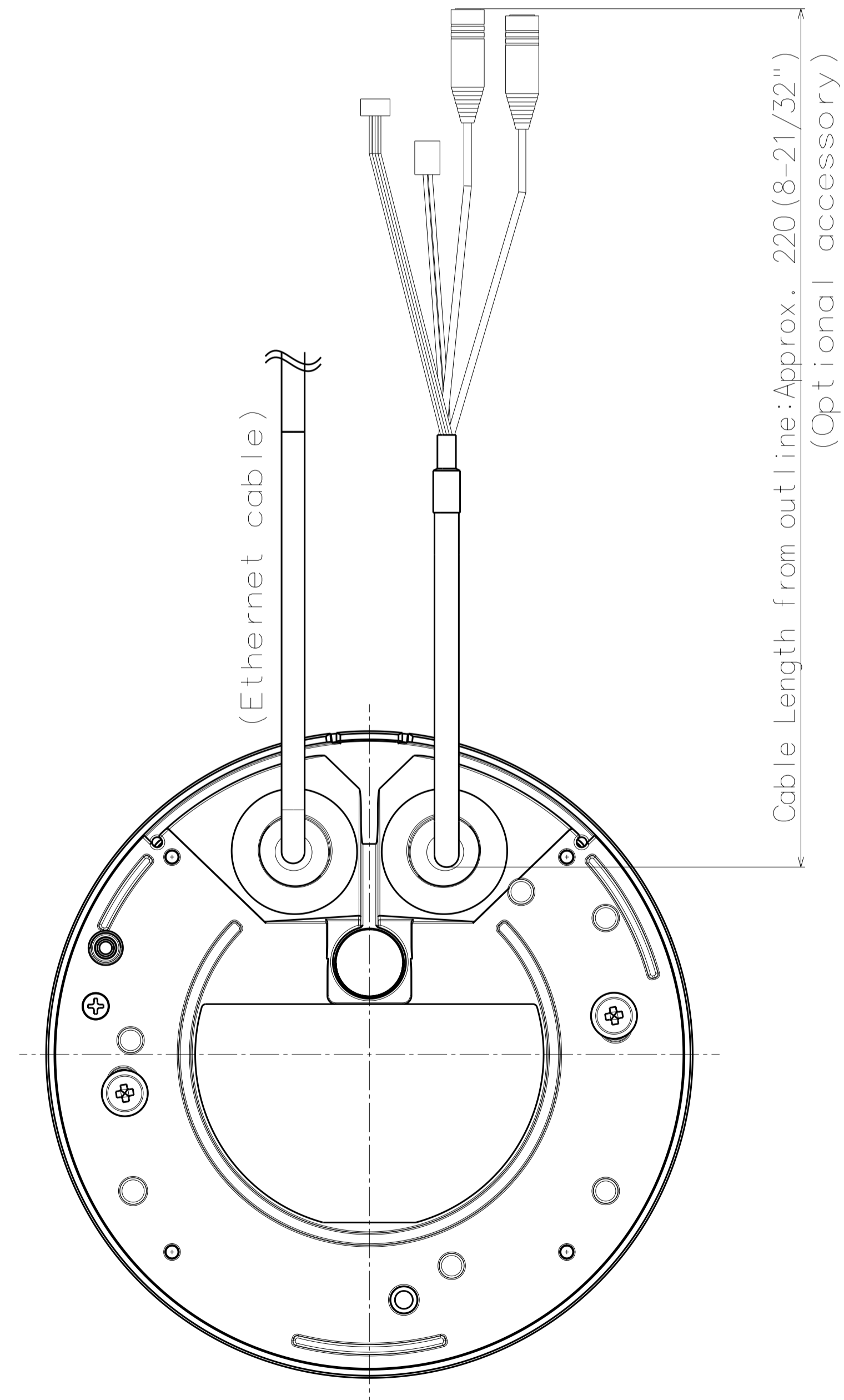
Without Enclosure



Detail B (2:1)

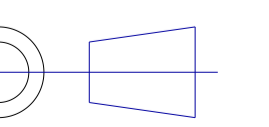


View A (2:1)

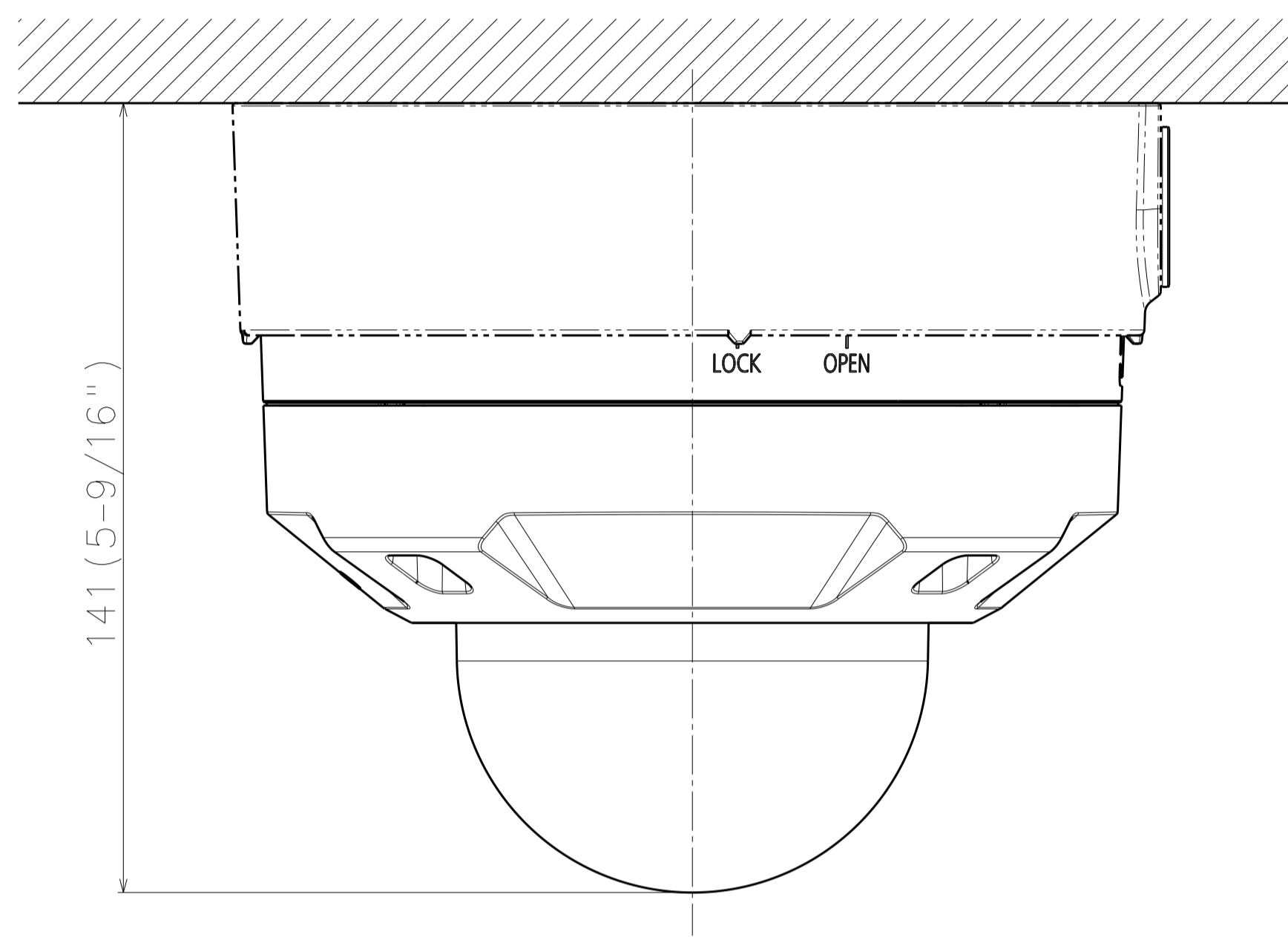


Cable Length from outline: Approx. 220 (8-21/32")  
(Optional accessory)

Unit:mm

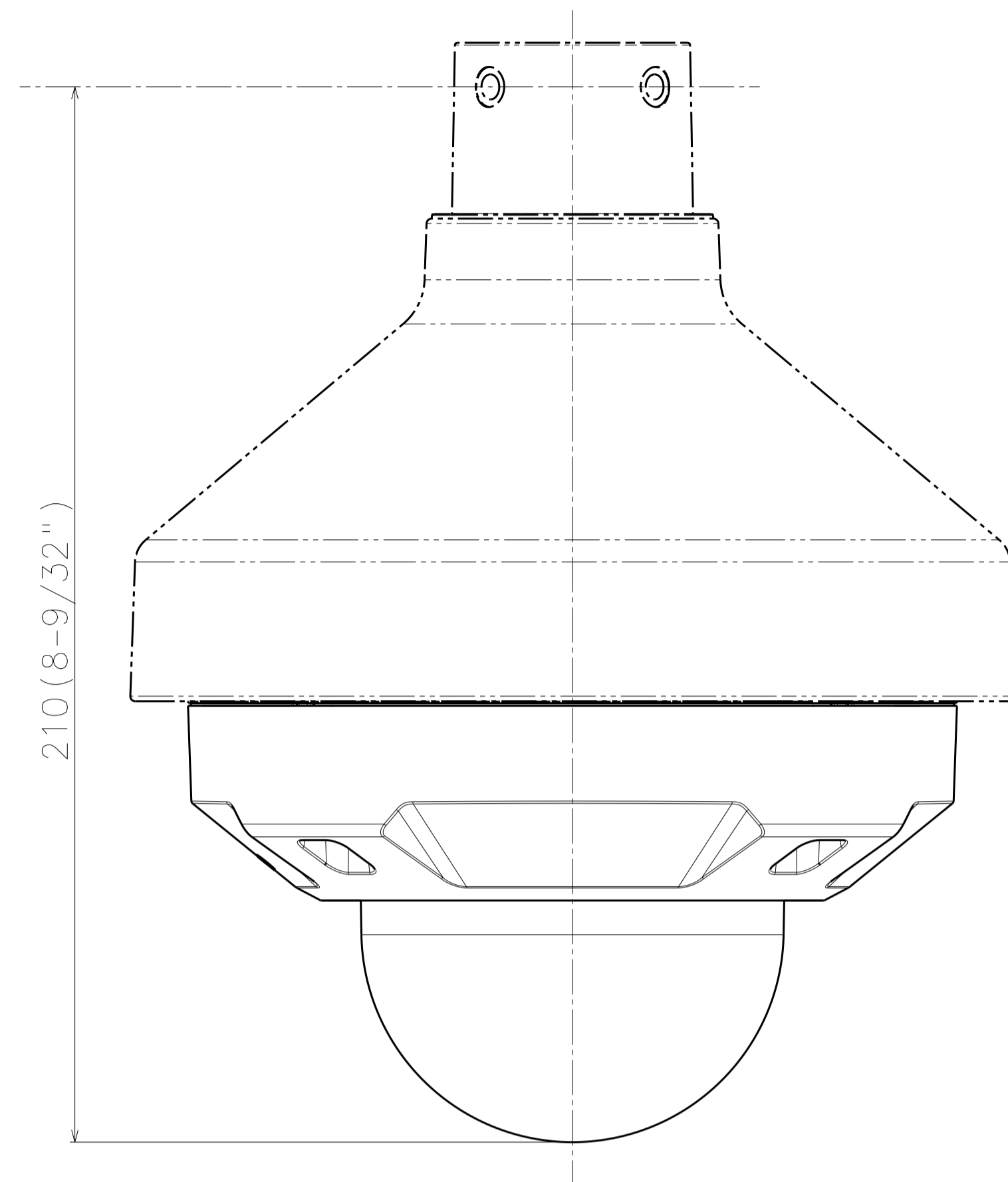


金具との組み合わせ例  
Example of combination with bracket



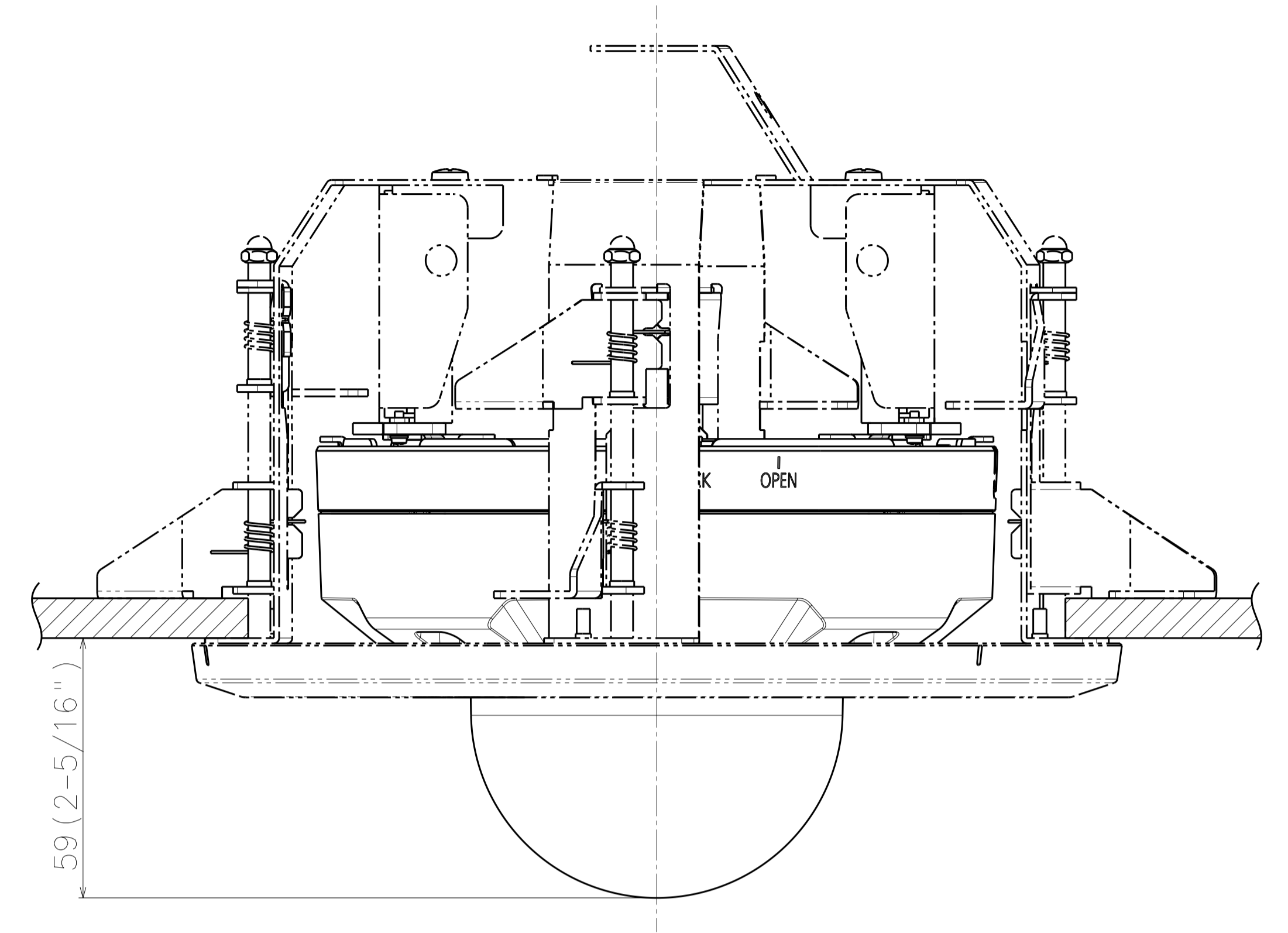
Attach to WV-QJB501-W

側面図/Side-view	投影面積/Projected area 0.017 (m <sup>2</sup> )
---------------	--

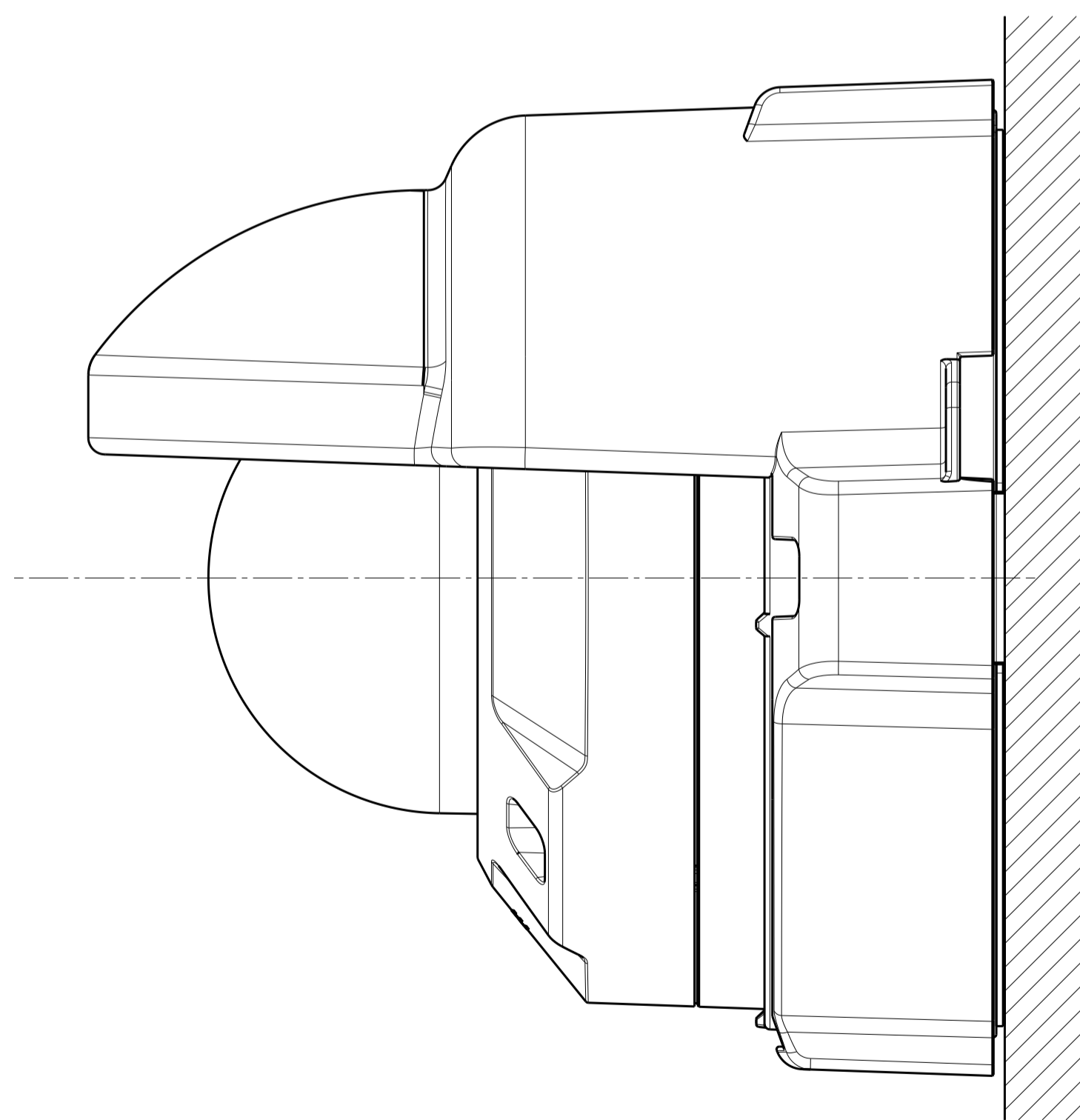


Attach to WV-QSR501-W

側面図/Side-view	投影面積/Projected area 0.021 (m <sup>2</sup> )
---------------	--

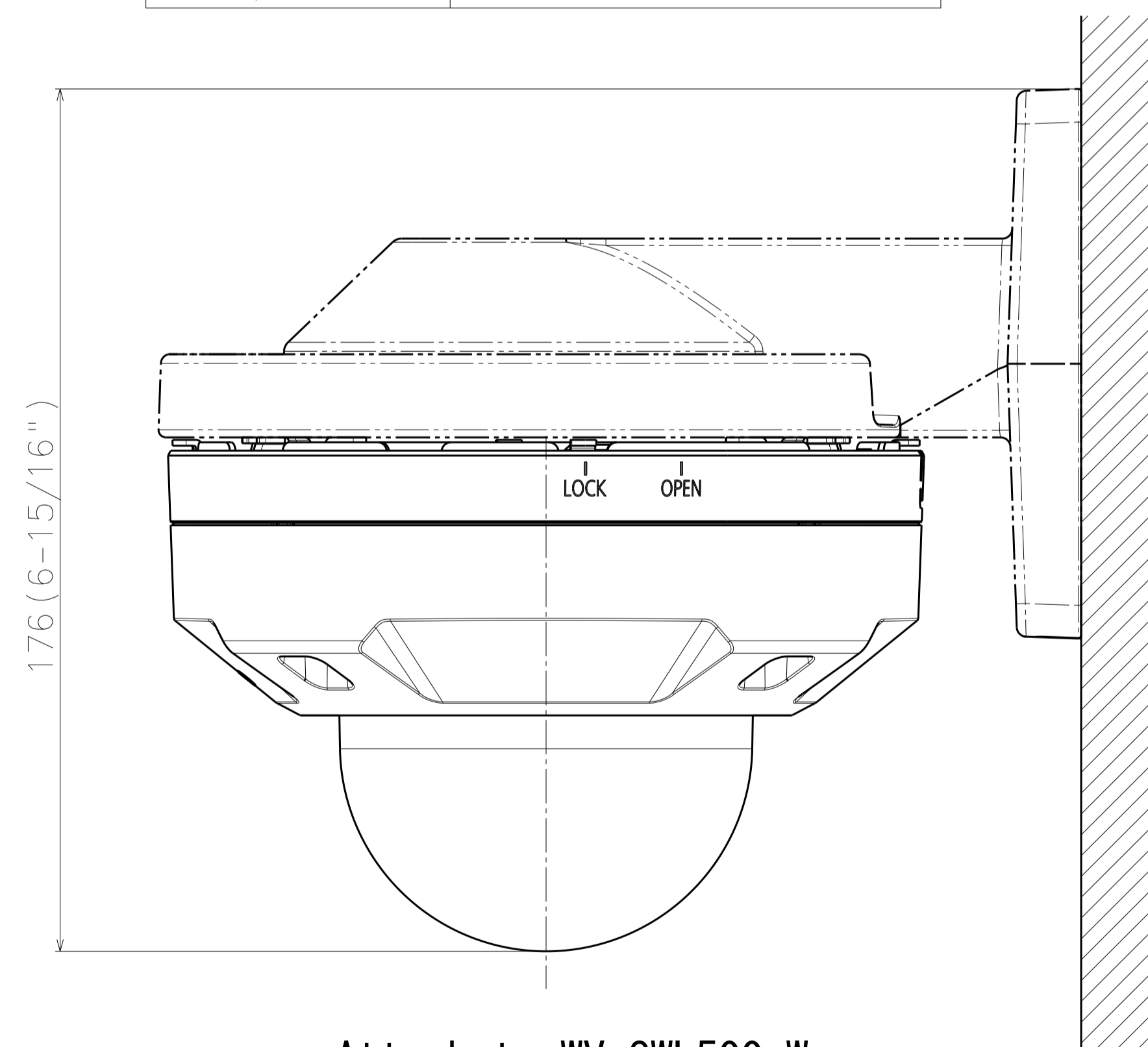


Attach to WV-QEM500-W



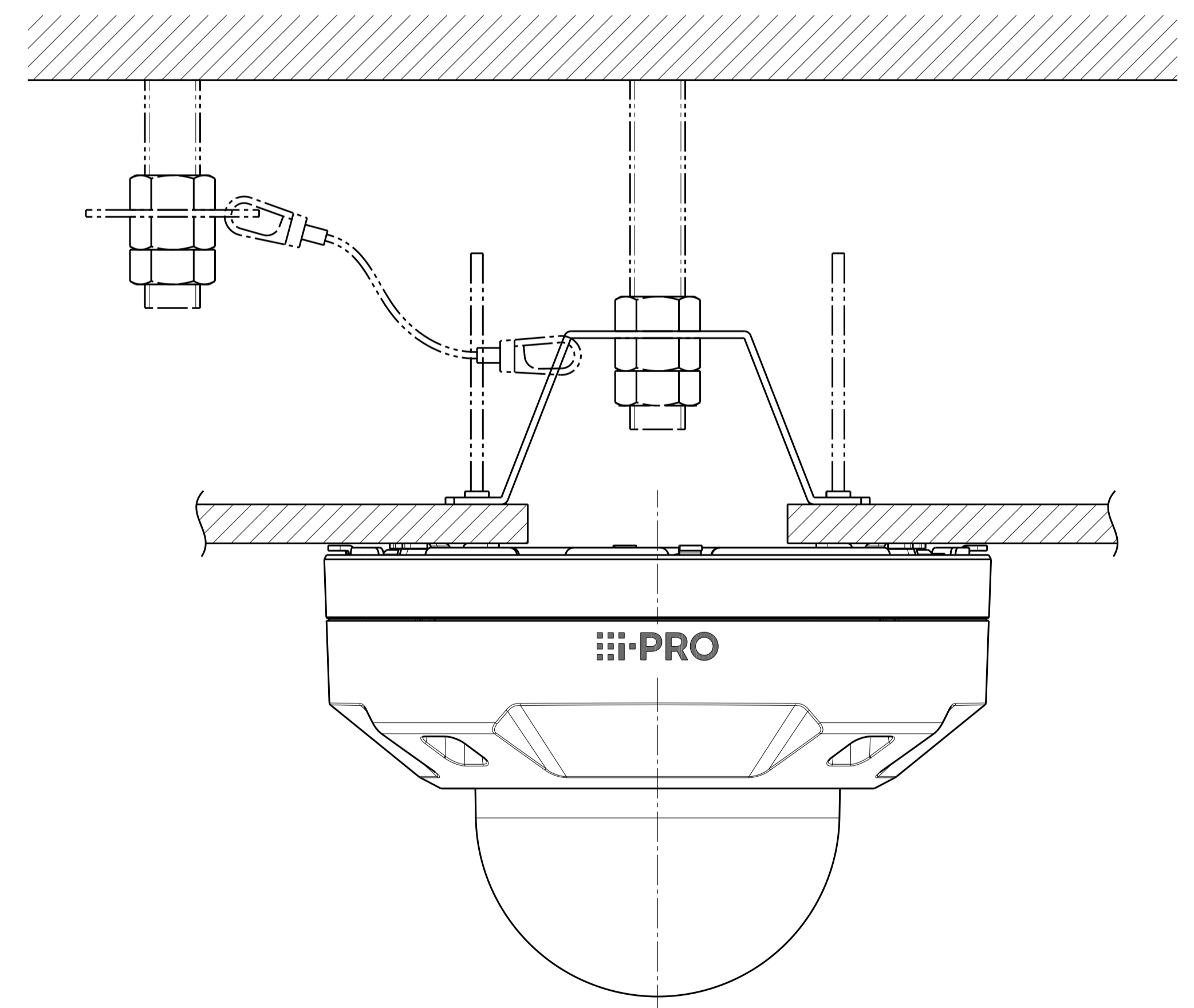
Attach to WV-QJB501-W & WV-QSR500-W

側面図/Side-view	投影面積/Projected area 0.021 (m <sup>2</sup> )
---------------	--



Attach to WV-QWL500-W

側面図/Side-view	投影面積/Projected area 0.019 (m <sup>2</sup> )
---------------	--



Attach to WV-Q105A

Unit:mm

