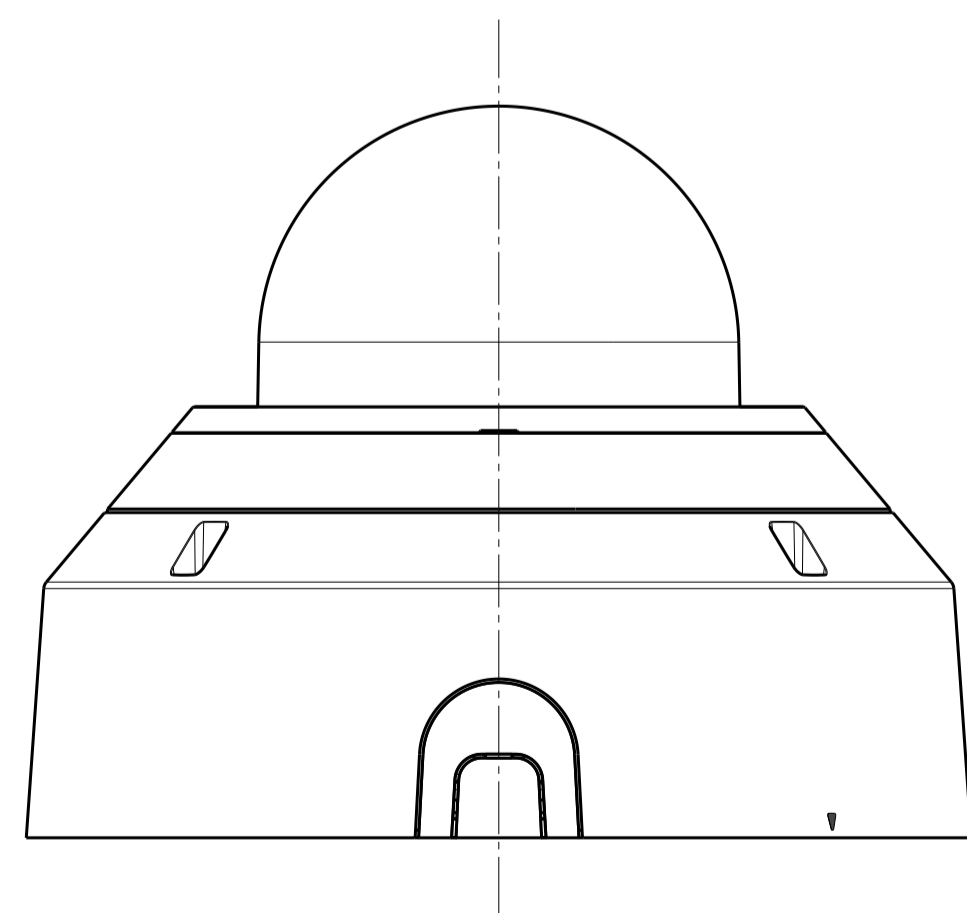
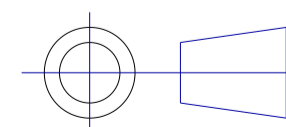


With attachment plate

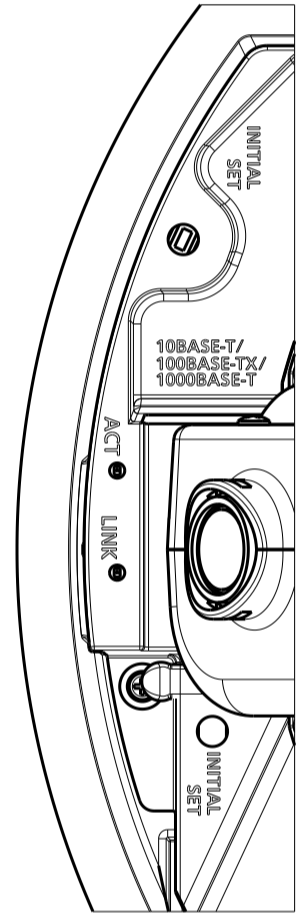


Unit:mm

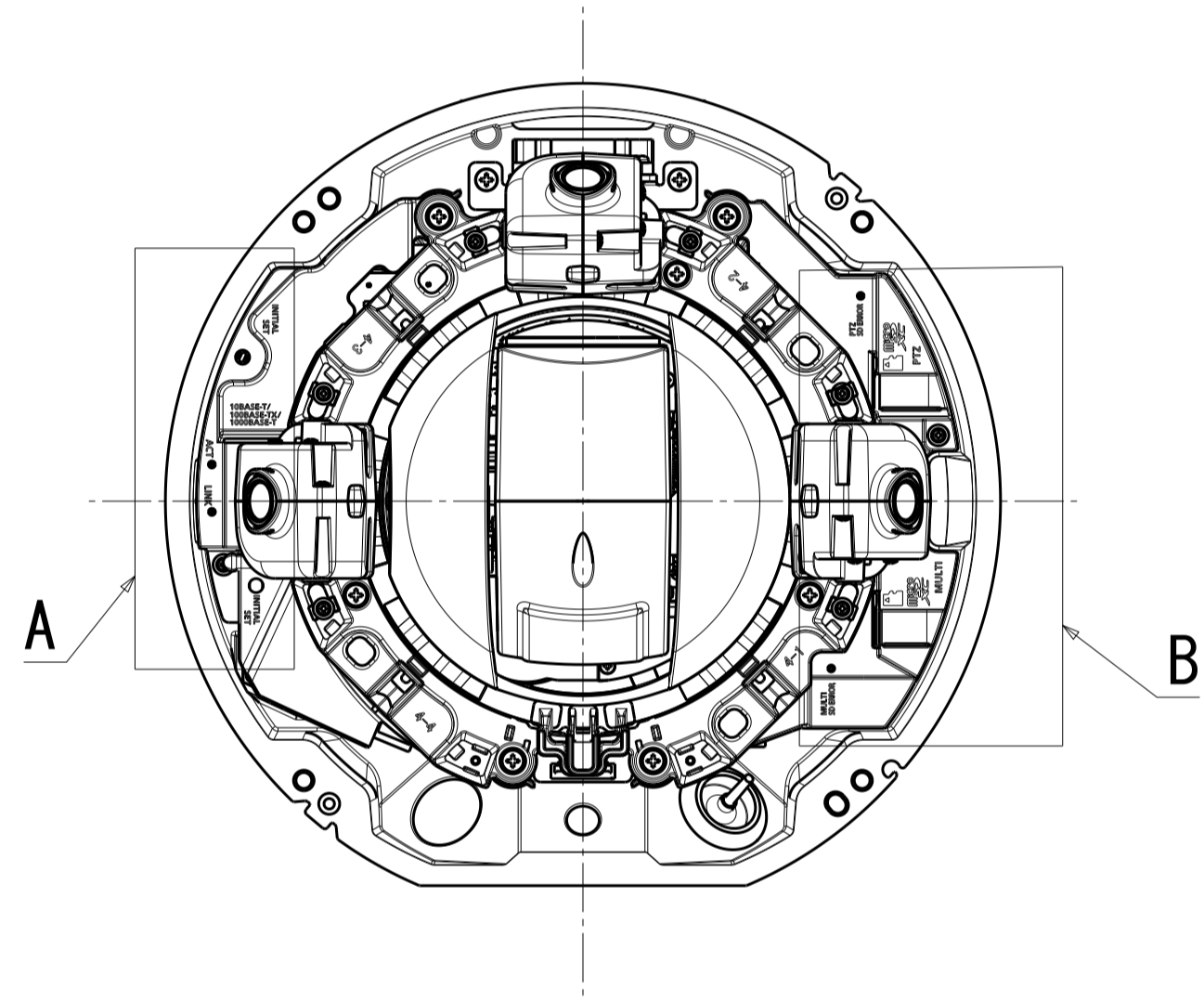


	投影面積/Projected area
側面図/Side-view	0.034 (m ²)

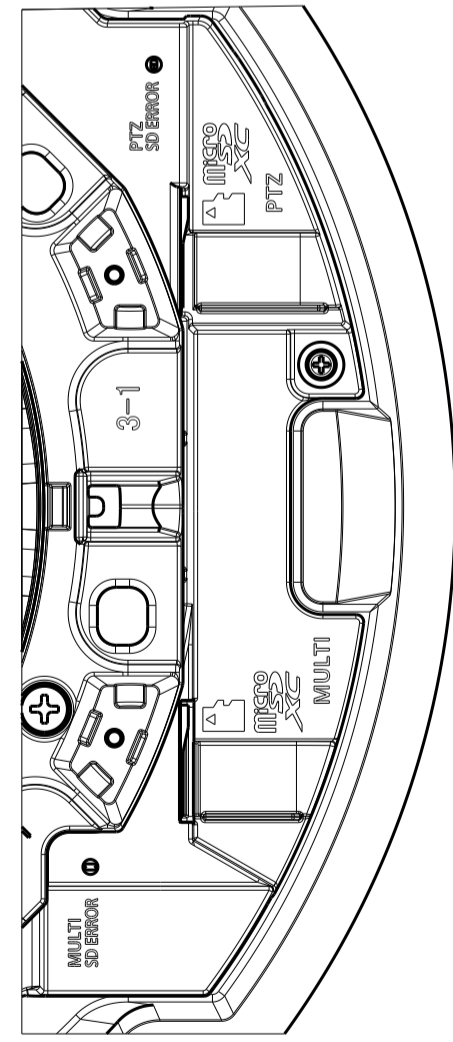
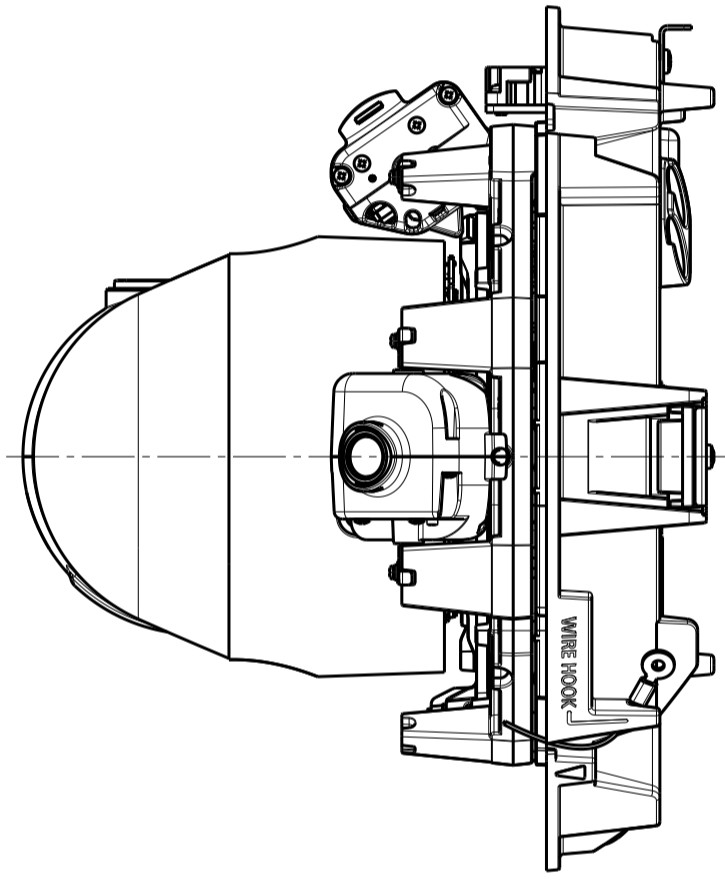
Mass : Approx. 4.0 kg {8.83 lbs} (When using the attachment plate)



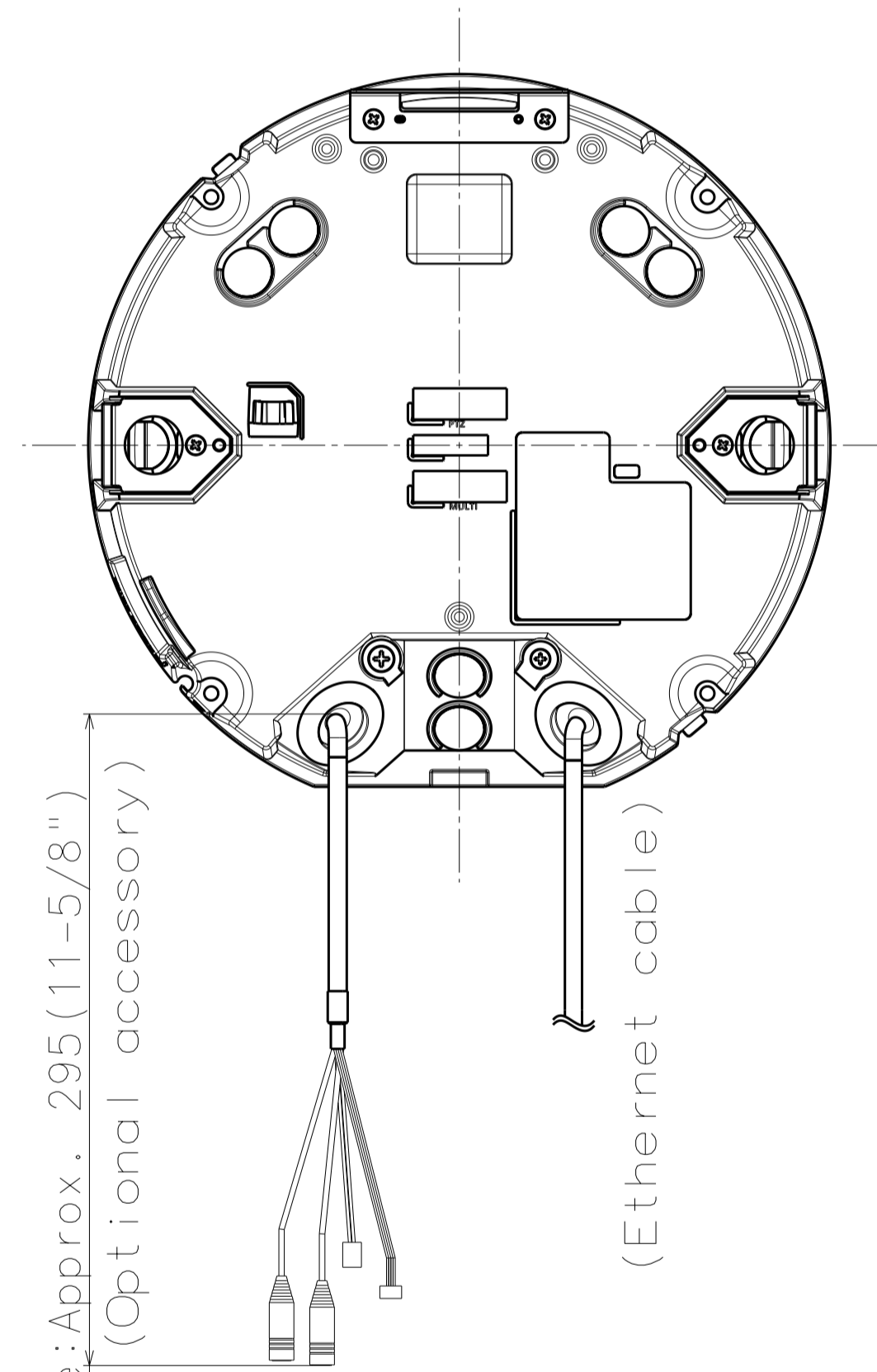
Detail A (1:1)



Removing enclosure



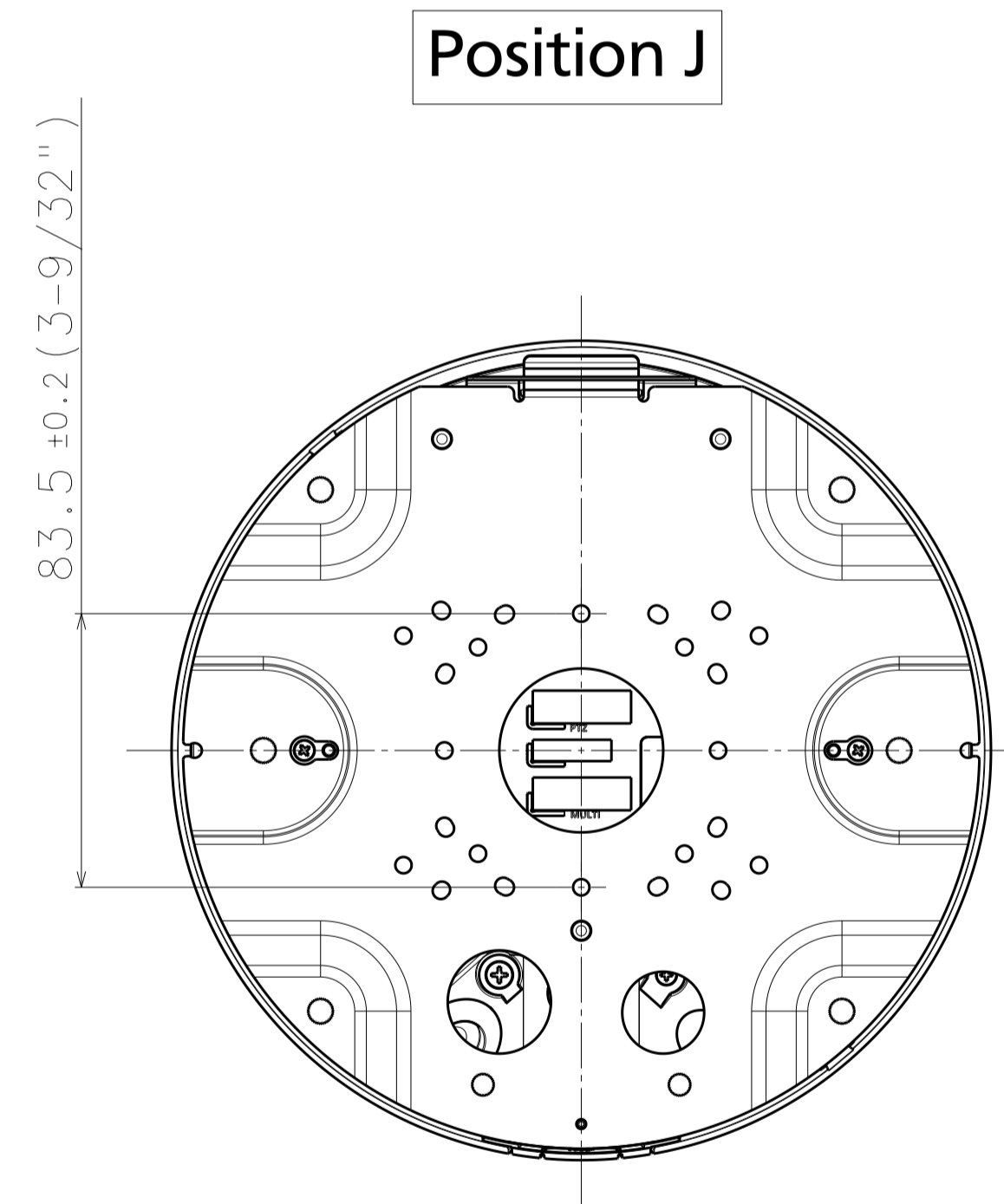
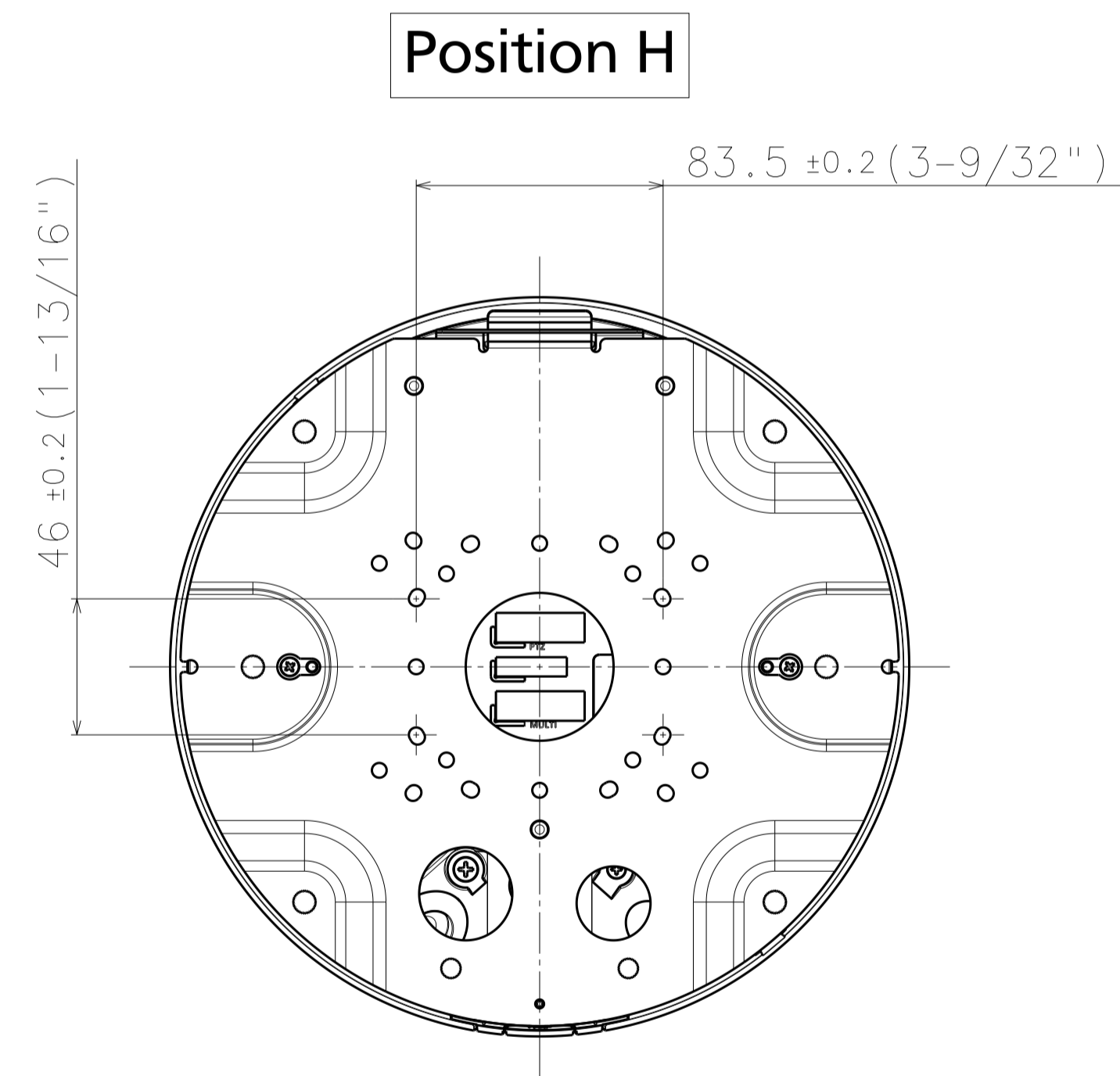
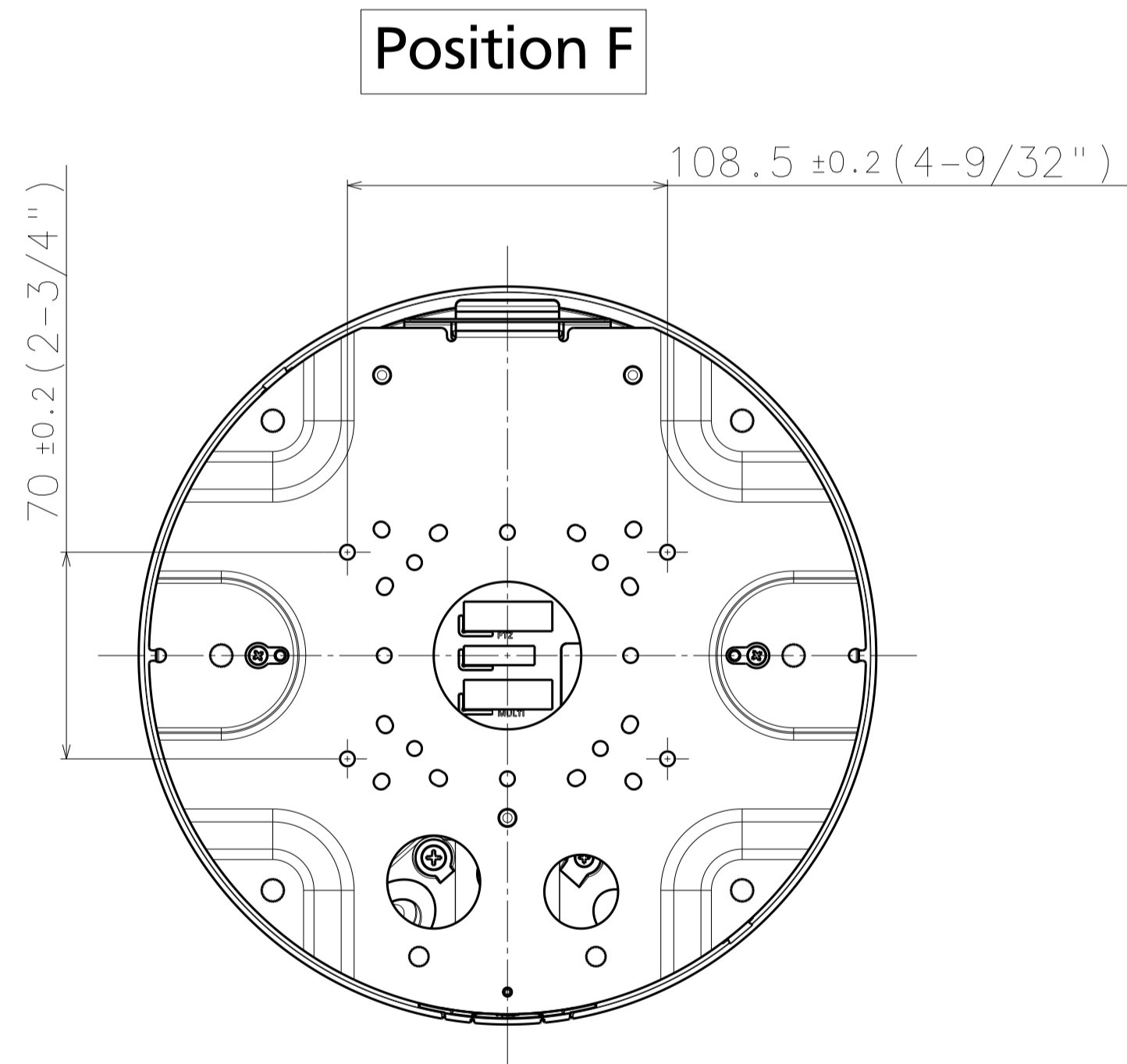
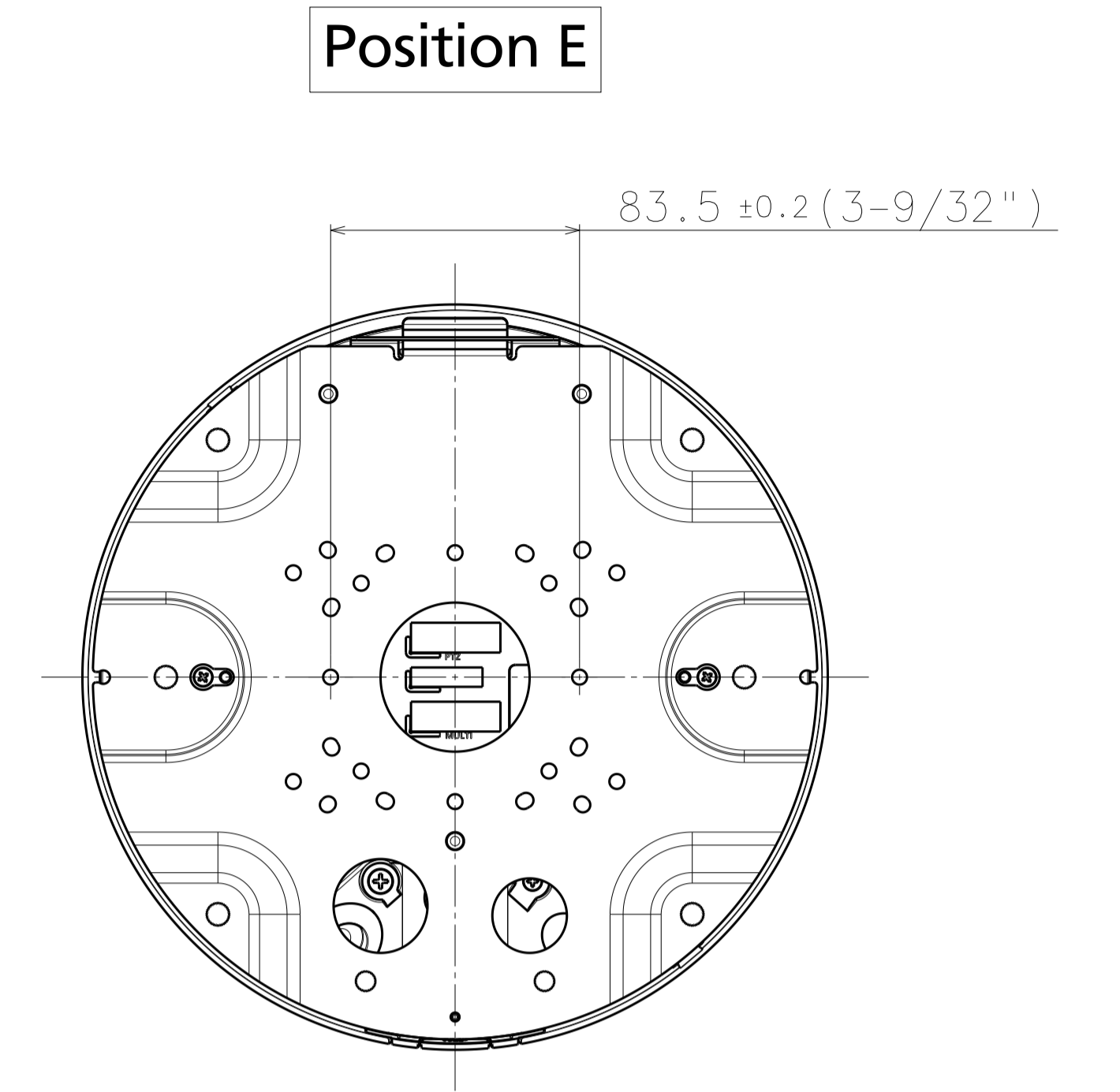
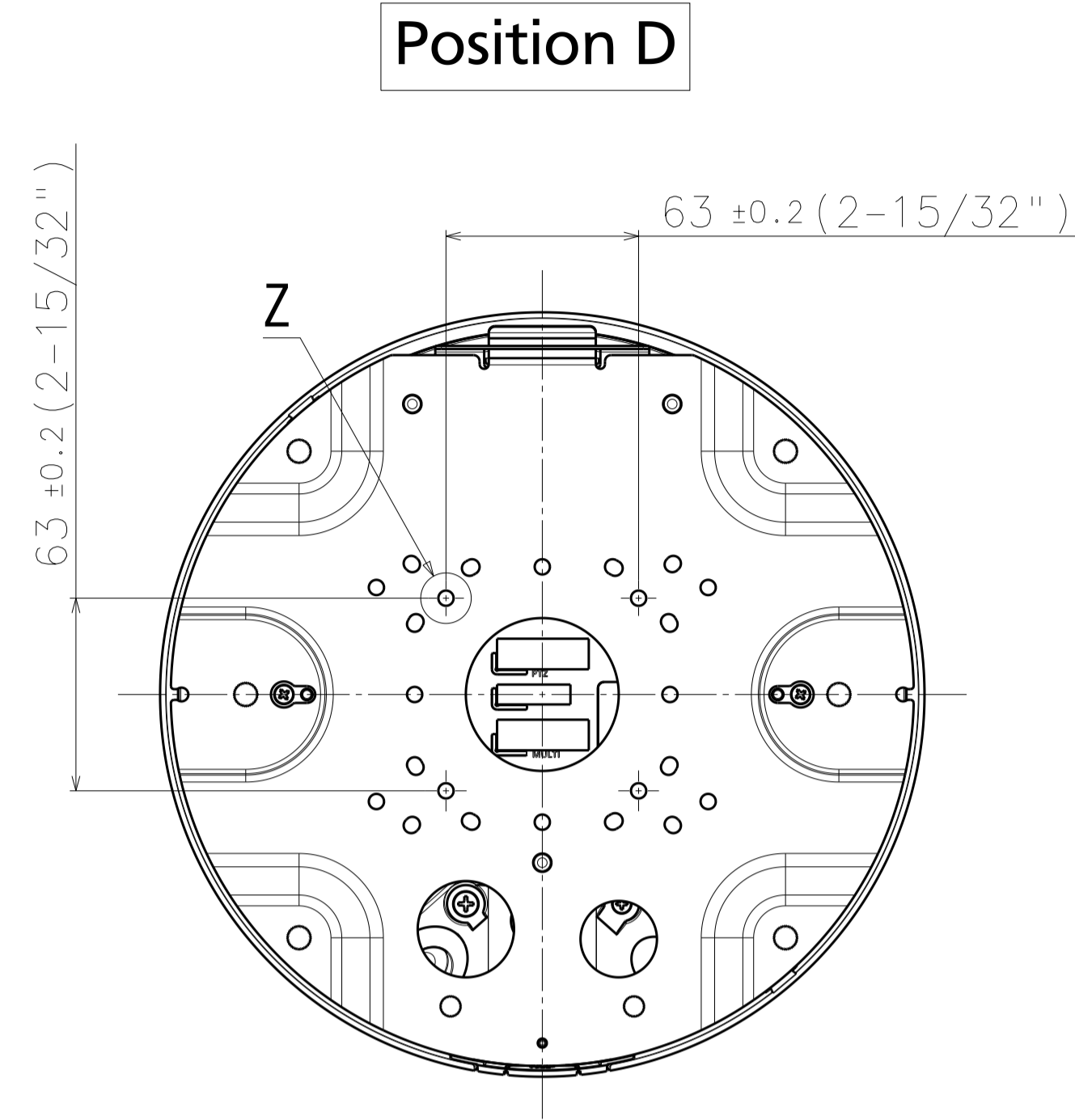
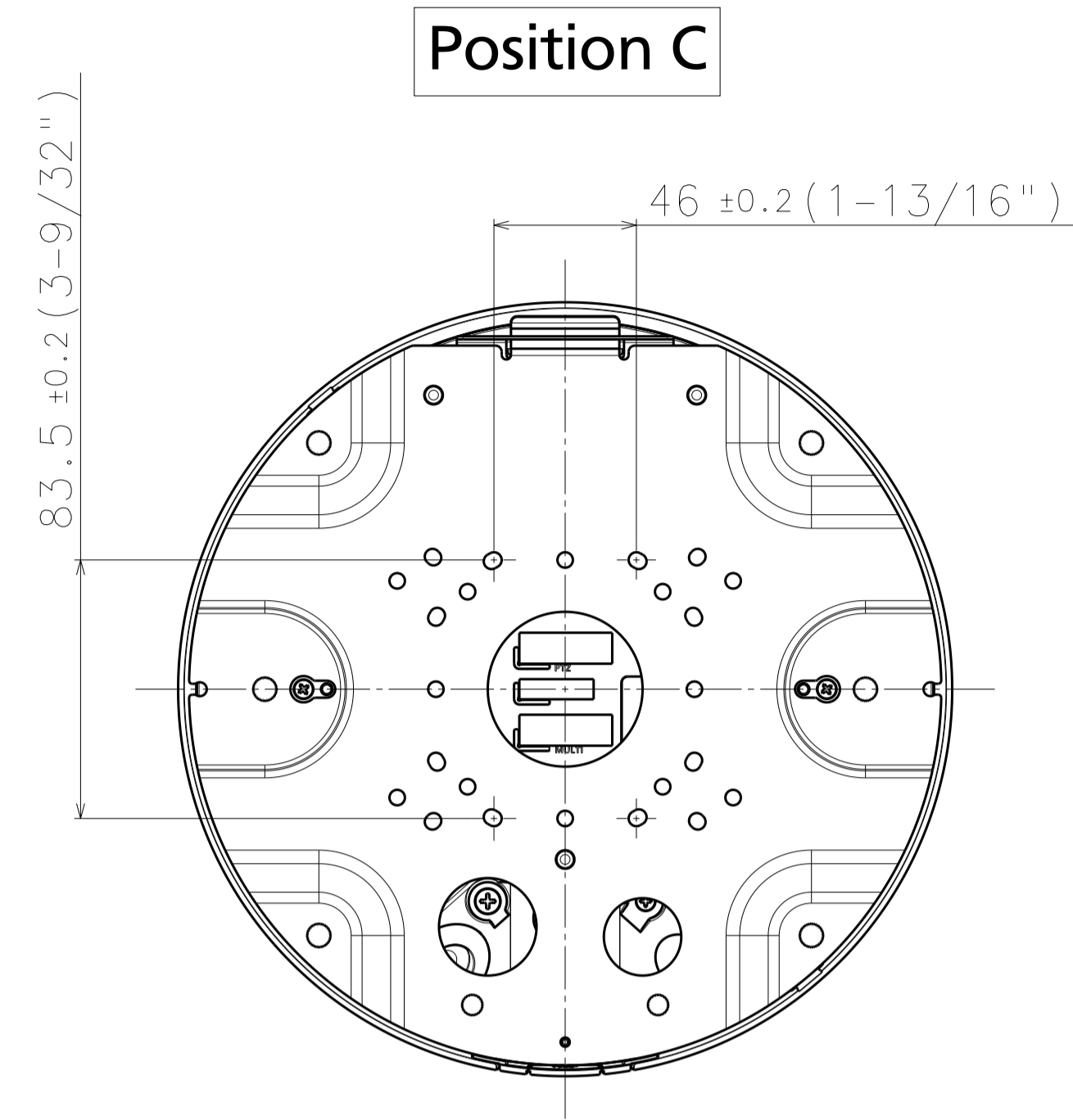
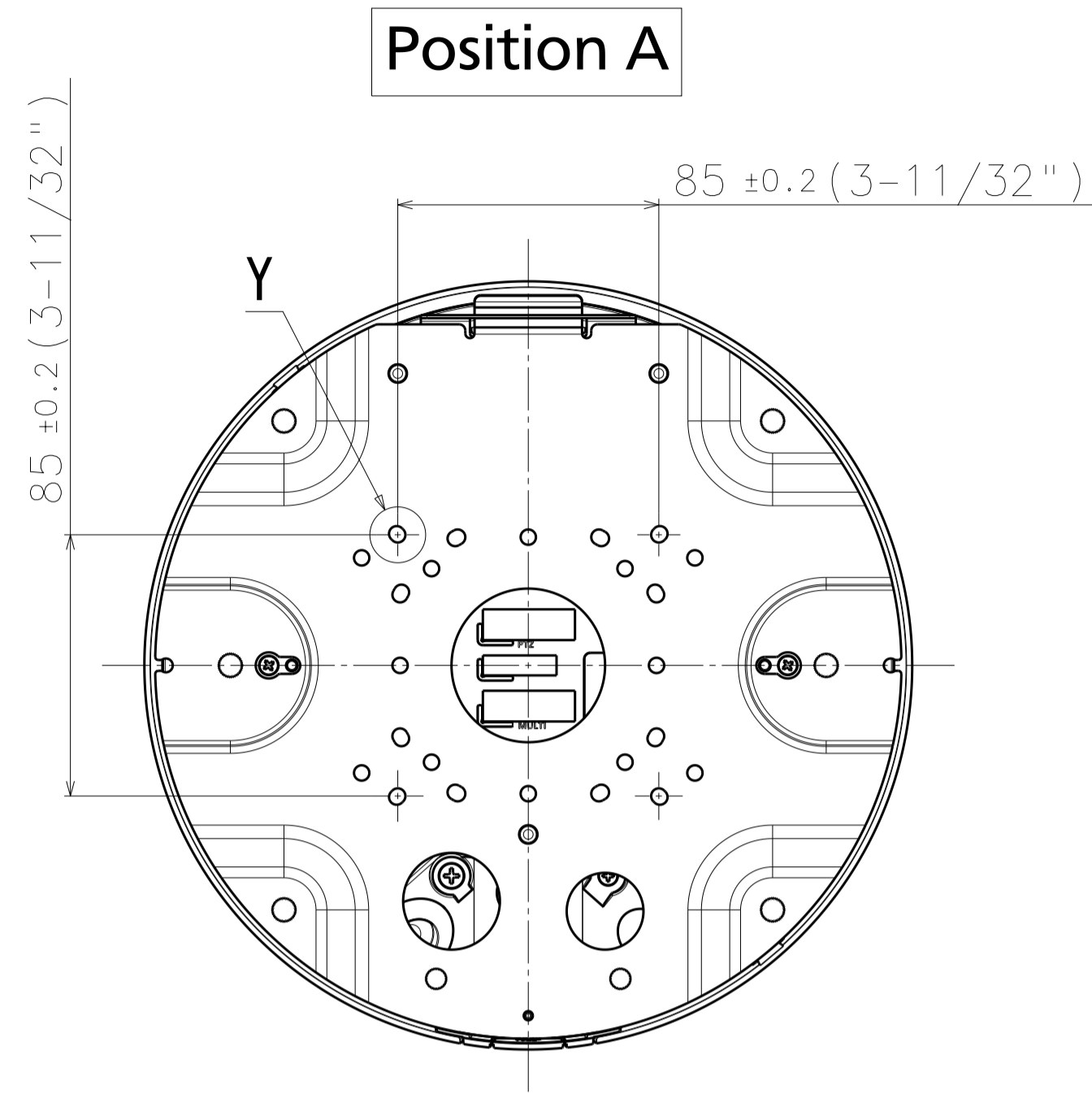
Detail B (1:1)



Cable Length from outline: Approx. 295 (11-5/8")
(Optional accessory)

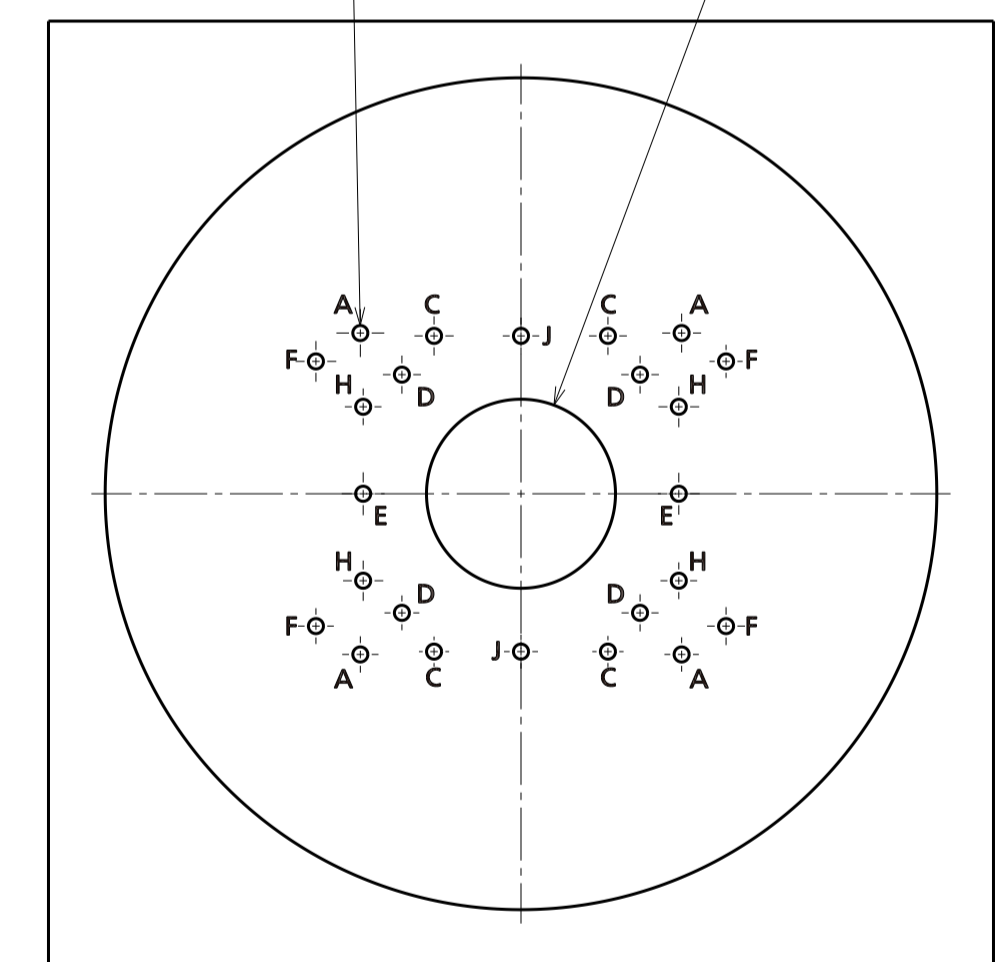
(Ethernet cable)

Mounting hole layout

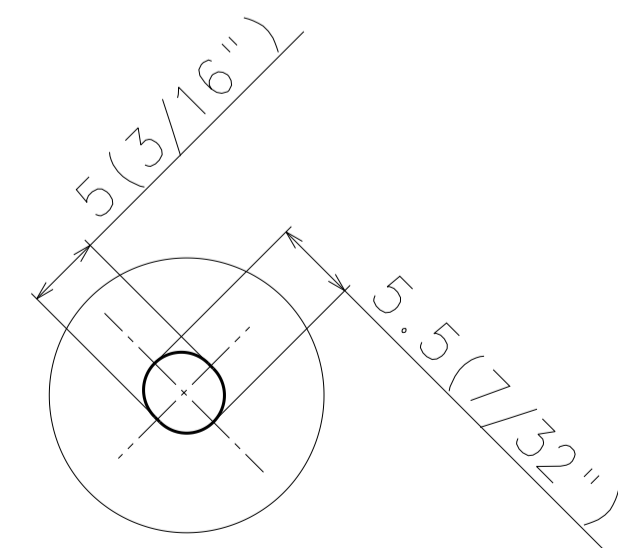


24xM4
(Recommended screw)

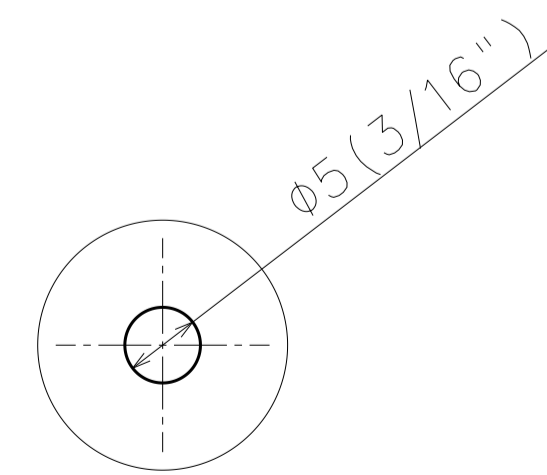
∅50 (1-31/32")
(Cable access hole)



Template for mounting

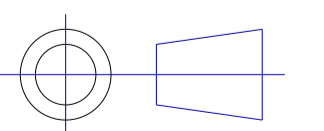


Detail Y (2:1)
Hole size (Position A, C, H)

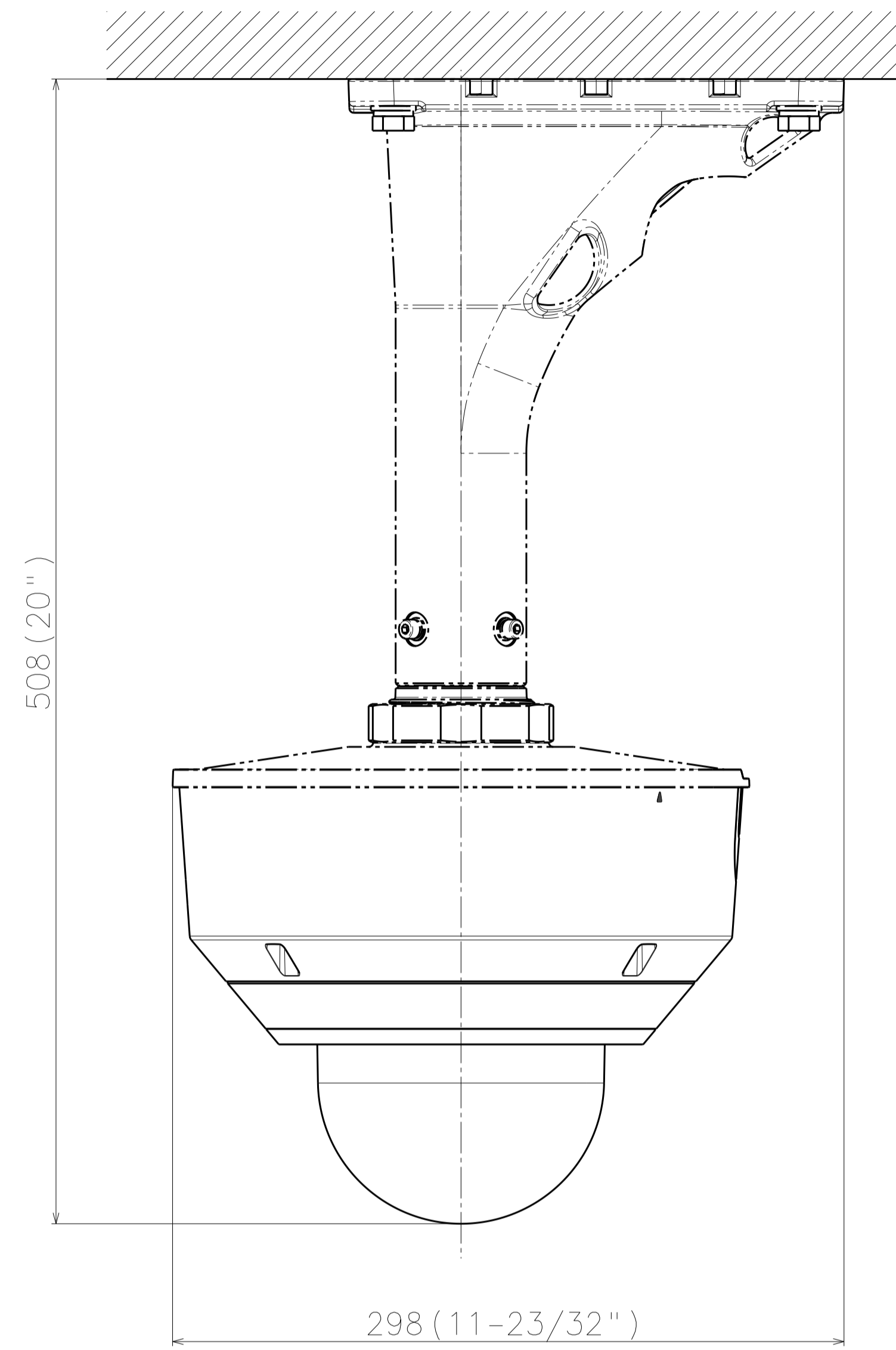


Detail Z (2:1)
Hole size (Position D, E, F, J)

Unit:mm

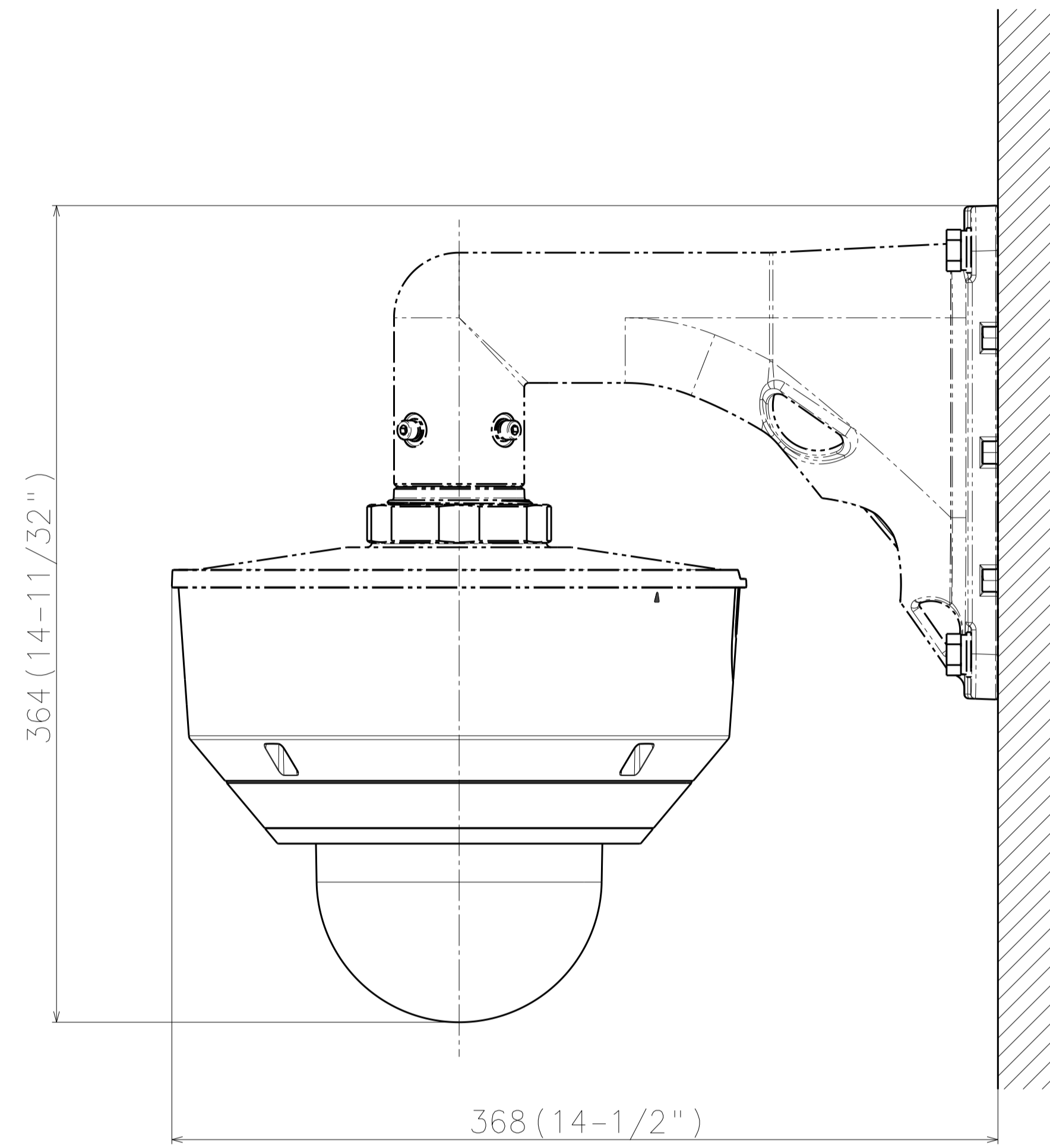


金具との組み合わせ例
Example of combination with bracket



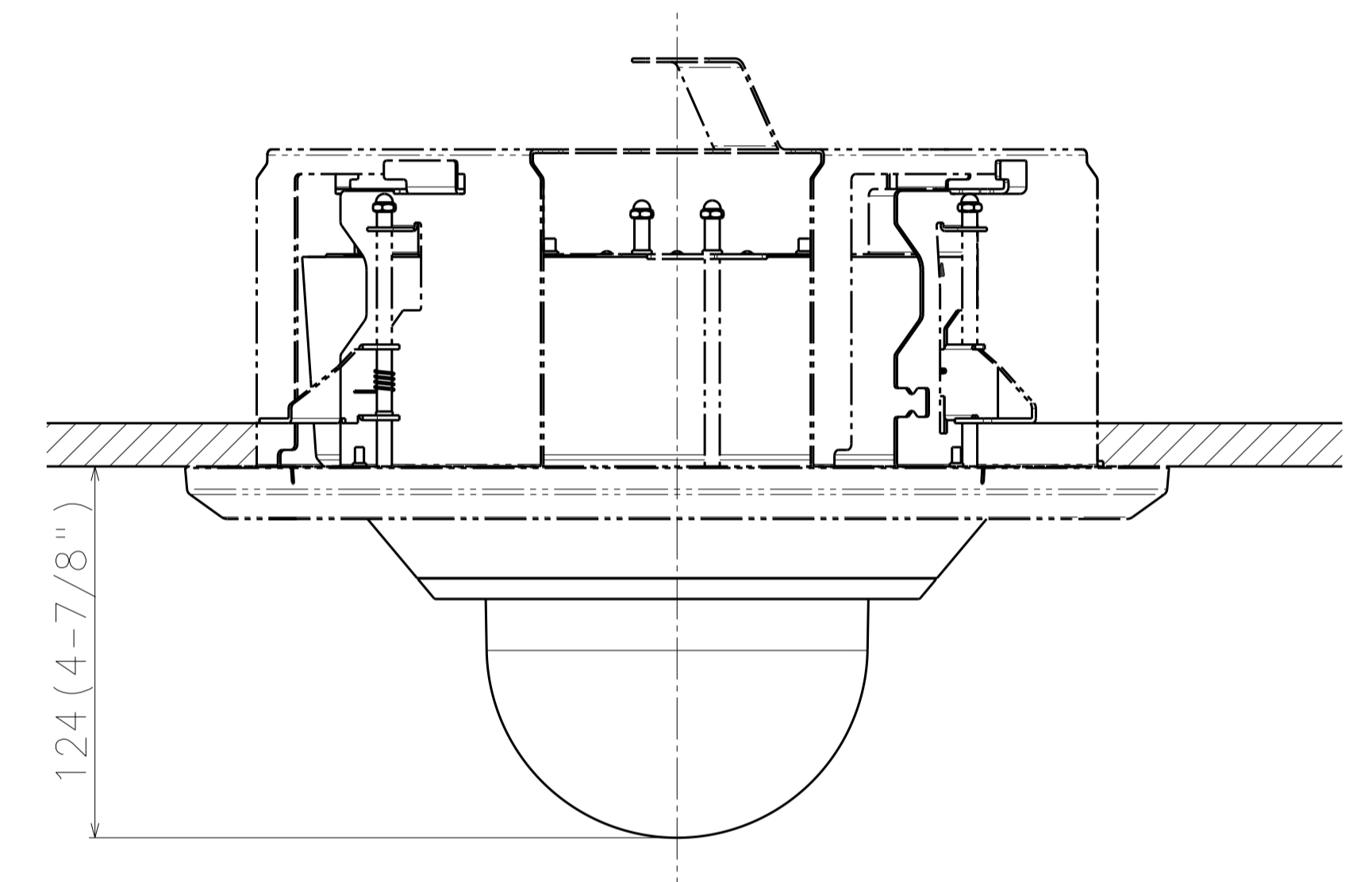
Attach to WV-QSR508** & WV-QCL501**

	投影面積/Projected area
正面図/Front-view	0.057 (m ²)
側面図/Side-view	0.064 (m ²)



Attach to WV-QSR508** & WV-QWL501**

	投影面積/Projected area
正面図/Front-view	0.056 (m ²)
側面図/Side-view	0.067 (m ²)



Attach to WV-QEM506**

Unit:mm

