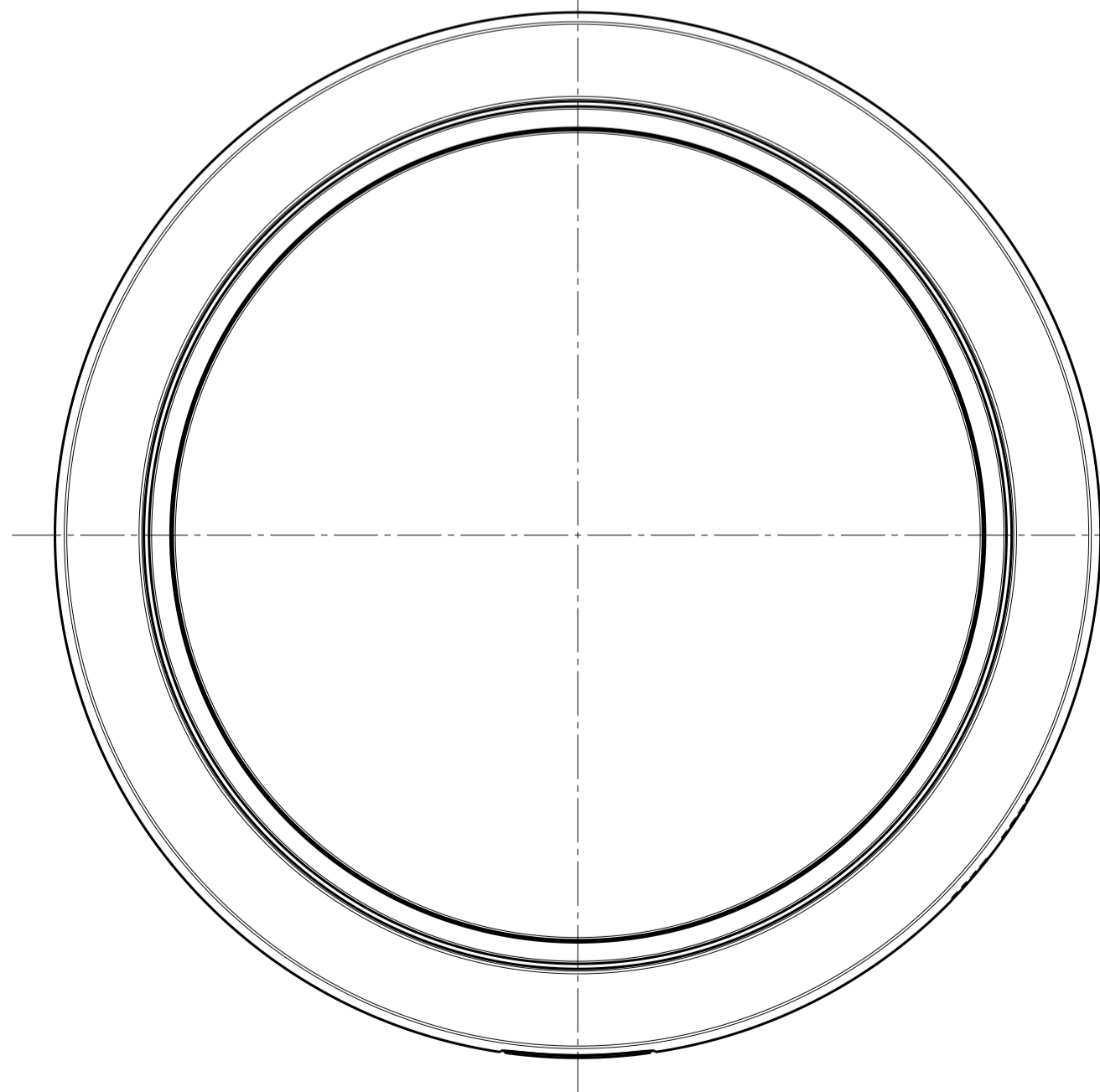
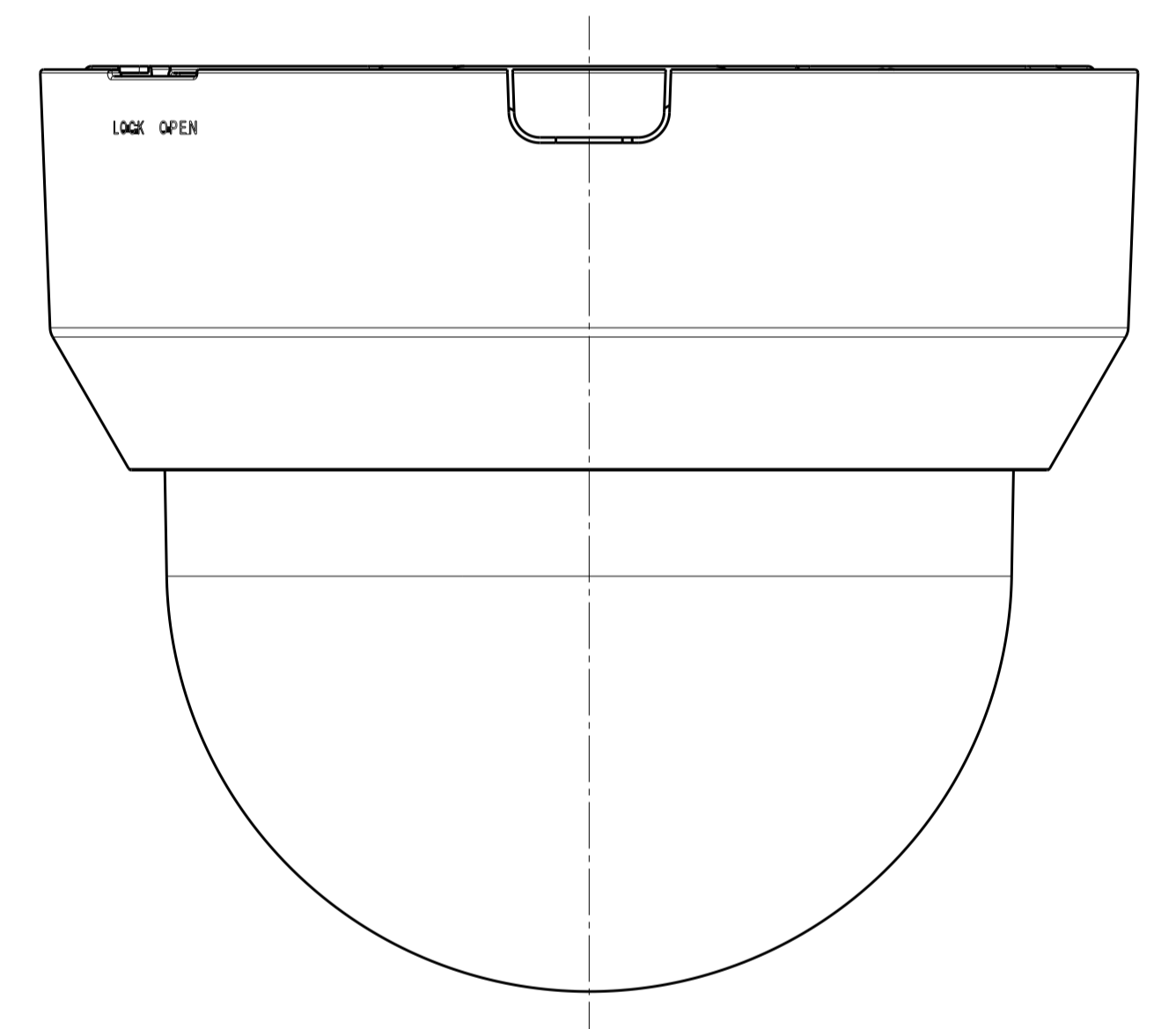
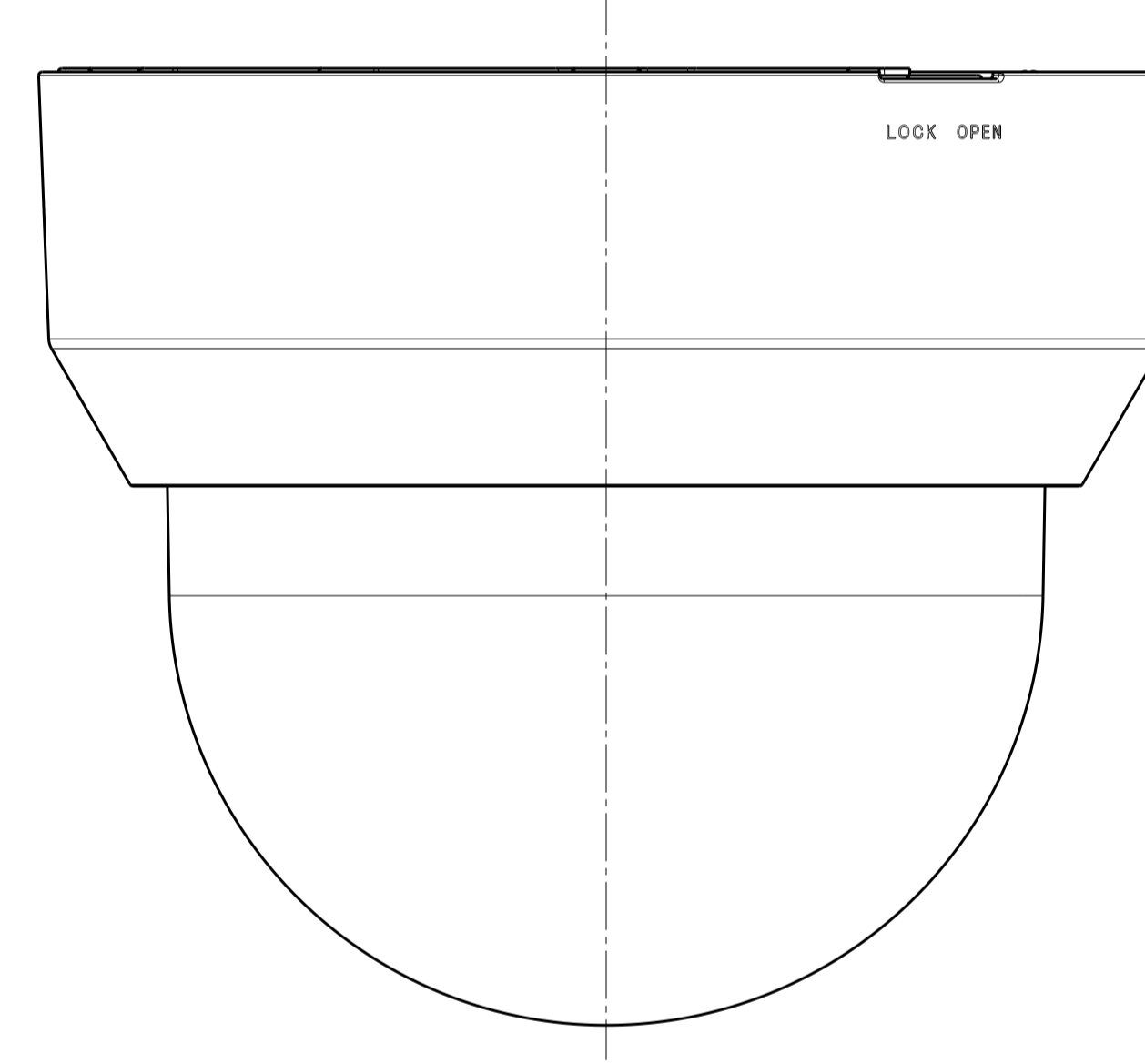
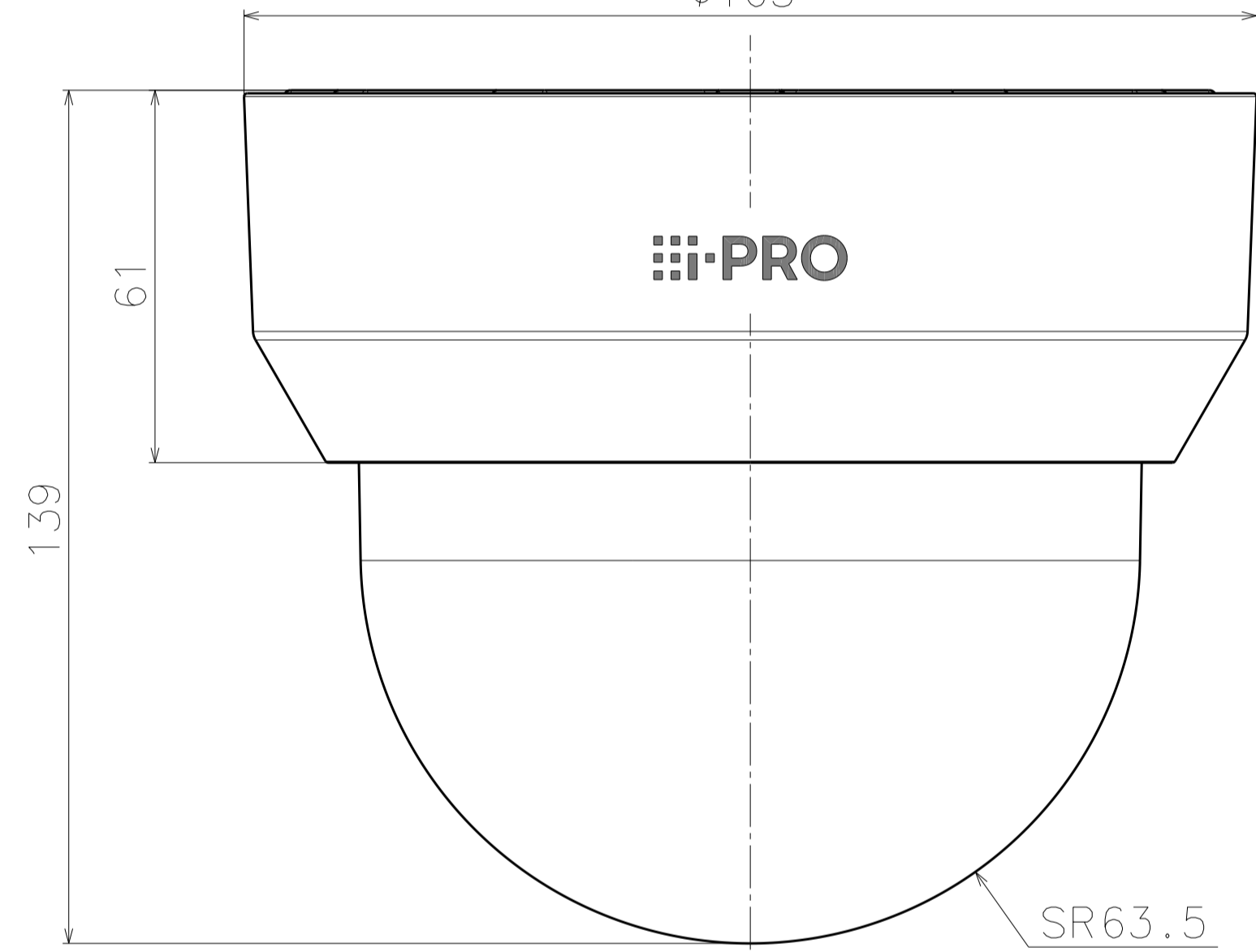
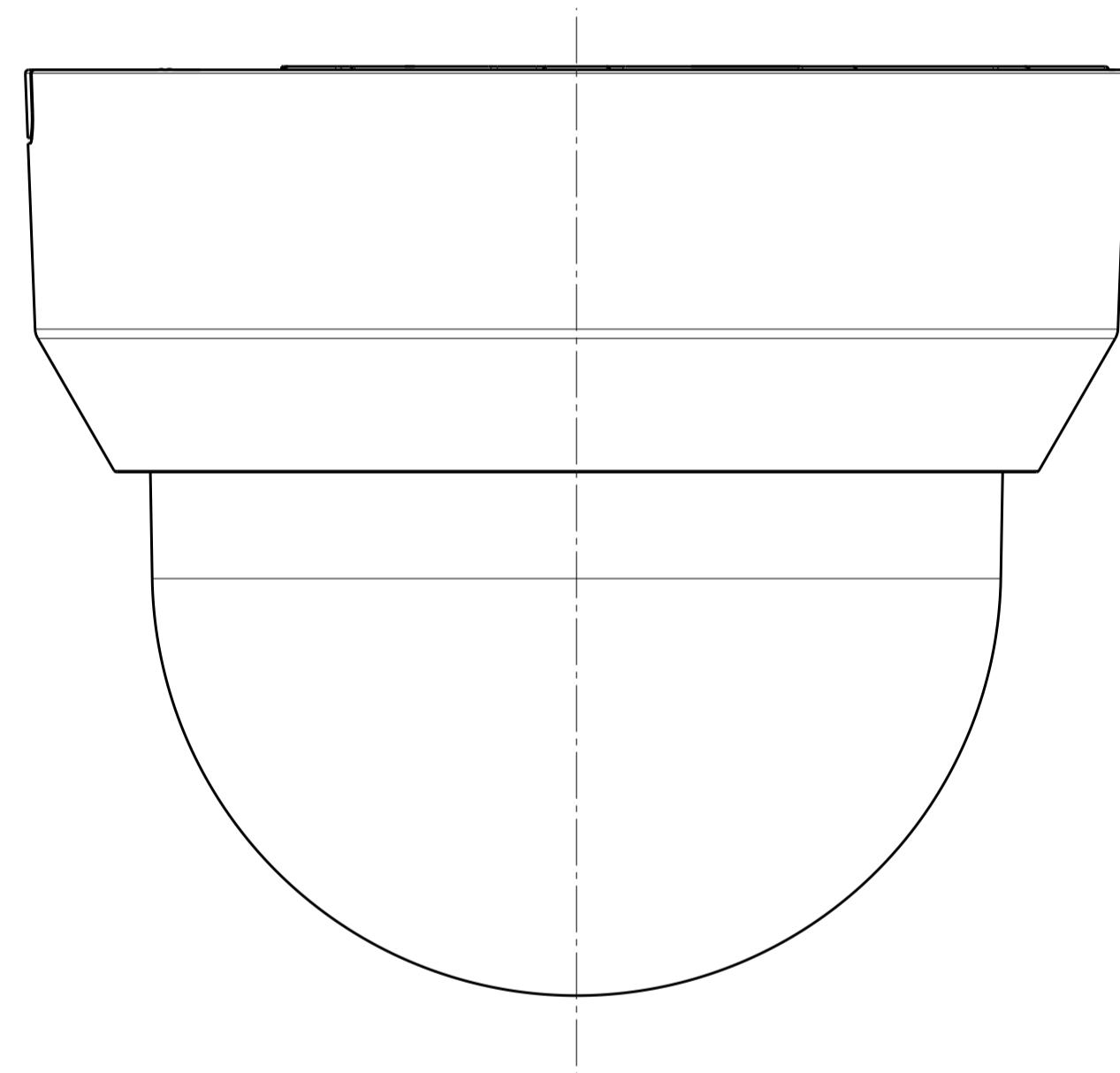
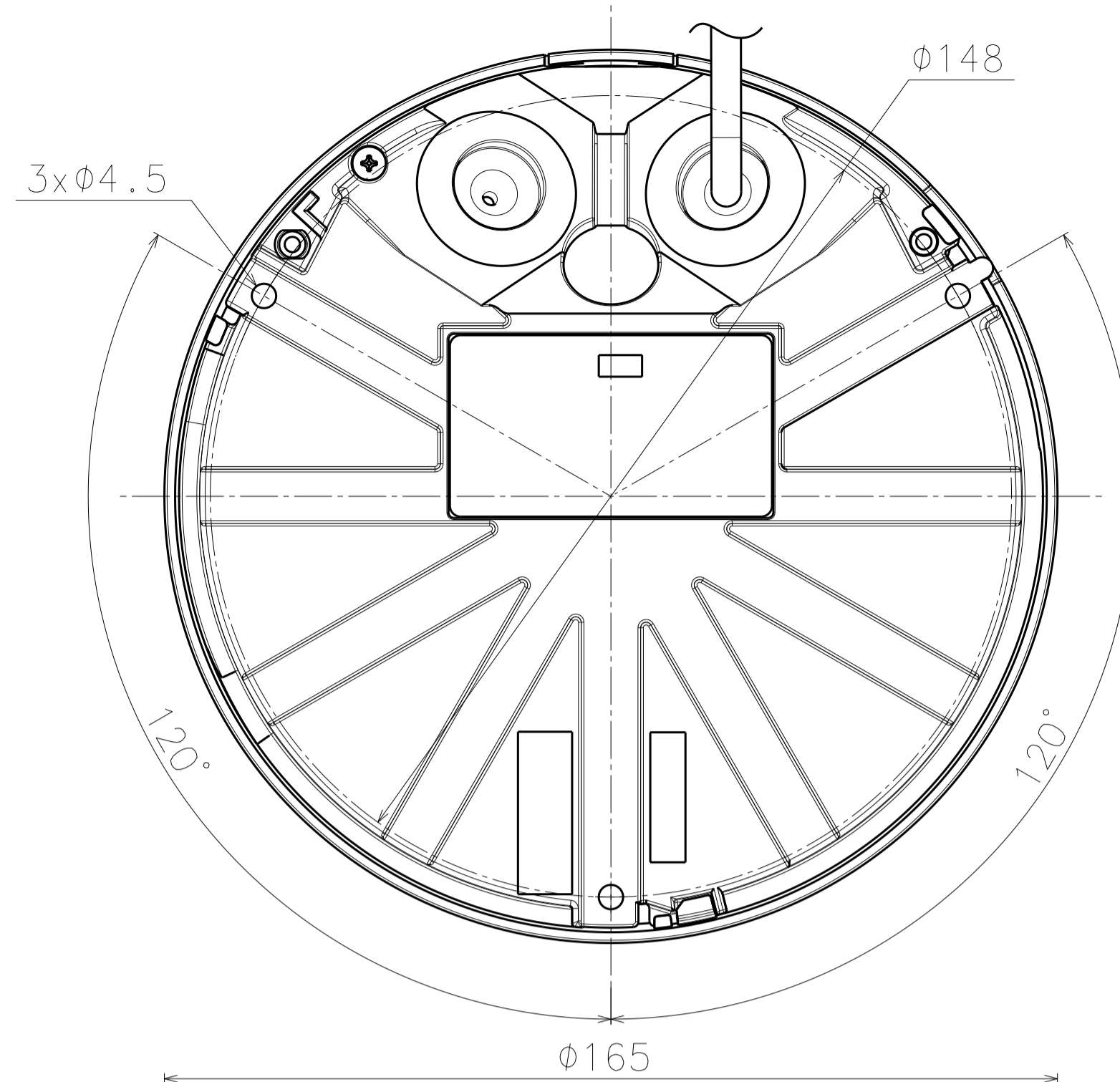


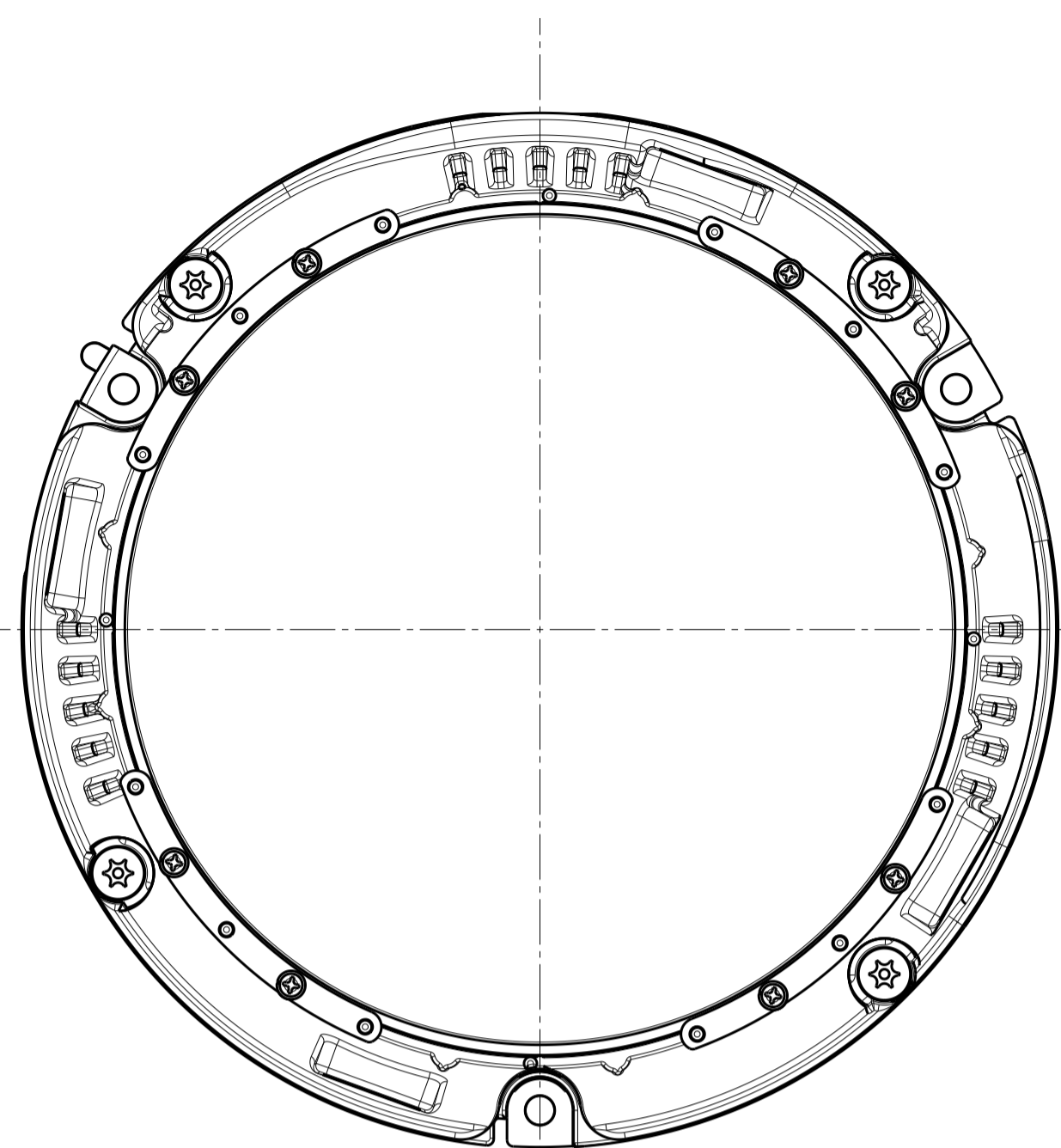
Object model: WV-B65301-Z1



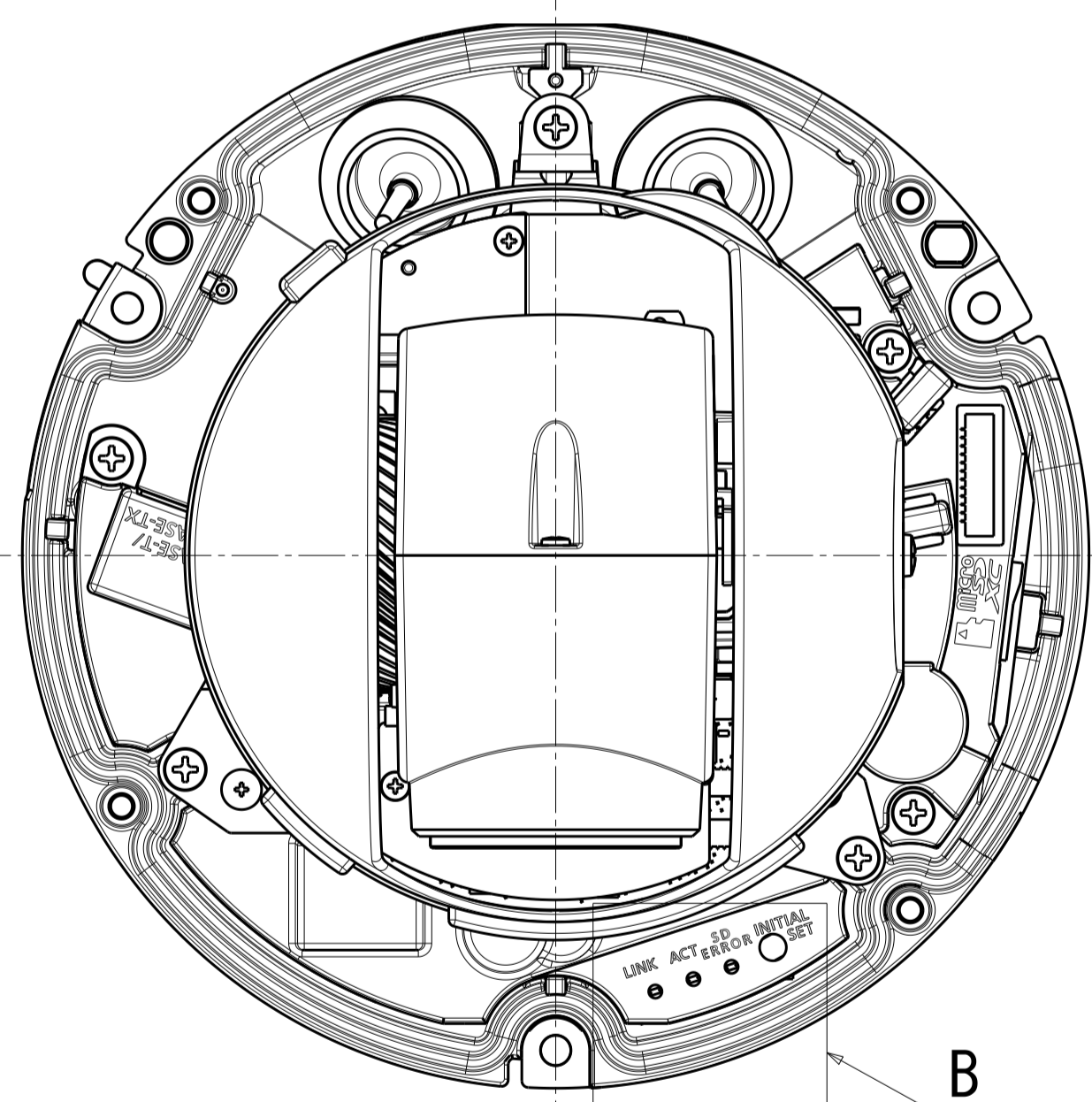
Model number	Dome type	Coating	
		Decorative cover	Lower cover
WV-U65301-Z1	Clear dome	i-PRO white	Black
WV-U65301-Z1G	Smoke dome		
WV-B65301-Z1	Clear dome	Black	Metallic black (Heavy salt damage resistance)
WV-S65301-Z1	Clear dome		
WV-S65301-Z1G	Smoke dome	i-PRO white (Heavy salt damage resistance)	Black
WV-S65301-Z1J			
WV-S65301-Z1-1		i-PRO white (Heavy salt damage resistance)	Black
WV-S65301-Z1-1J	Clear dome		
WV-S65301-Z1S		i-PRO white (Heavy salt damage resistance)	Black
WV-S65301-Z1SJ			
WV-S65501-Z1	Clear dome	i-PRO white	Black
WV-S65501-Z1G	Smoke dome		
WV-S65501-Z1J	Clear dome	i-PRO white	Black
WV-U65301-Z1V	Clear dome		
WV-U65301-Z1GV	Smoke dome	i-PRO white	Black
WV-S65301-Z1V	Clear dome		

	投影面積/Projected area
側面圖/Side-view	0.018 (m ²)

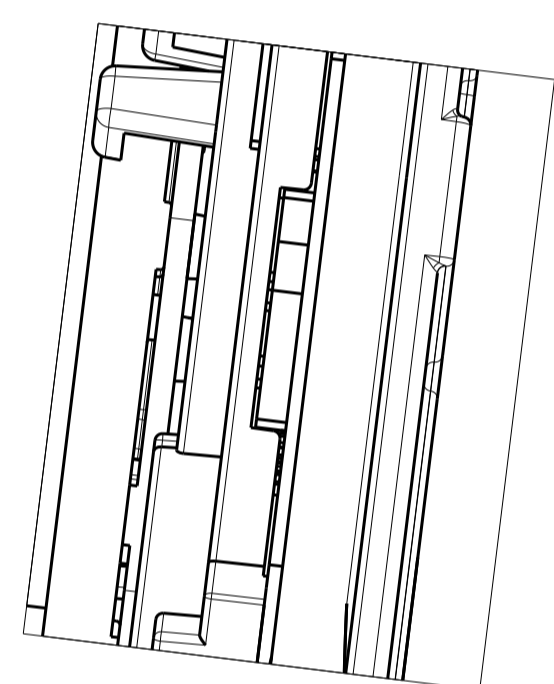
Mass : Approx. 1.3 kg {2.87 lbs}



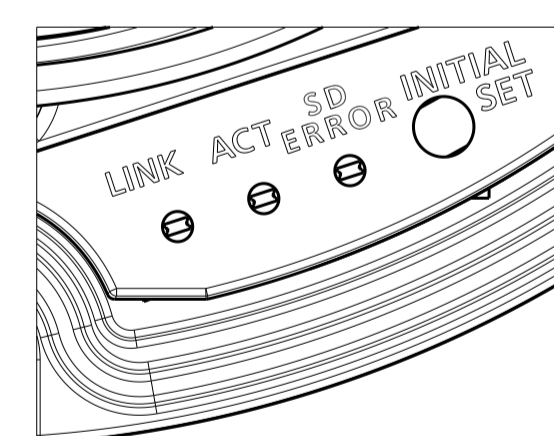
Without Decorative cover



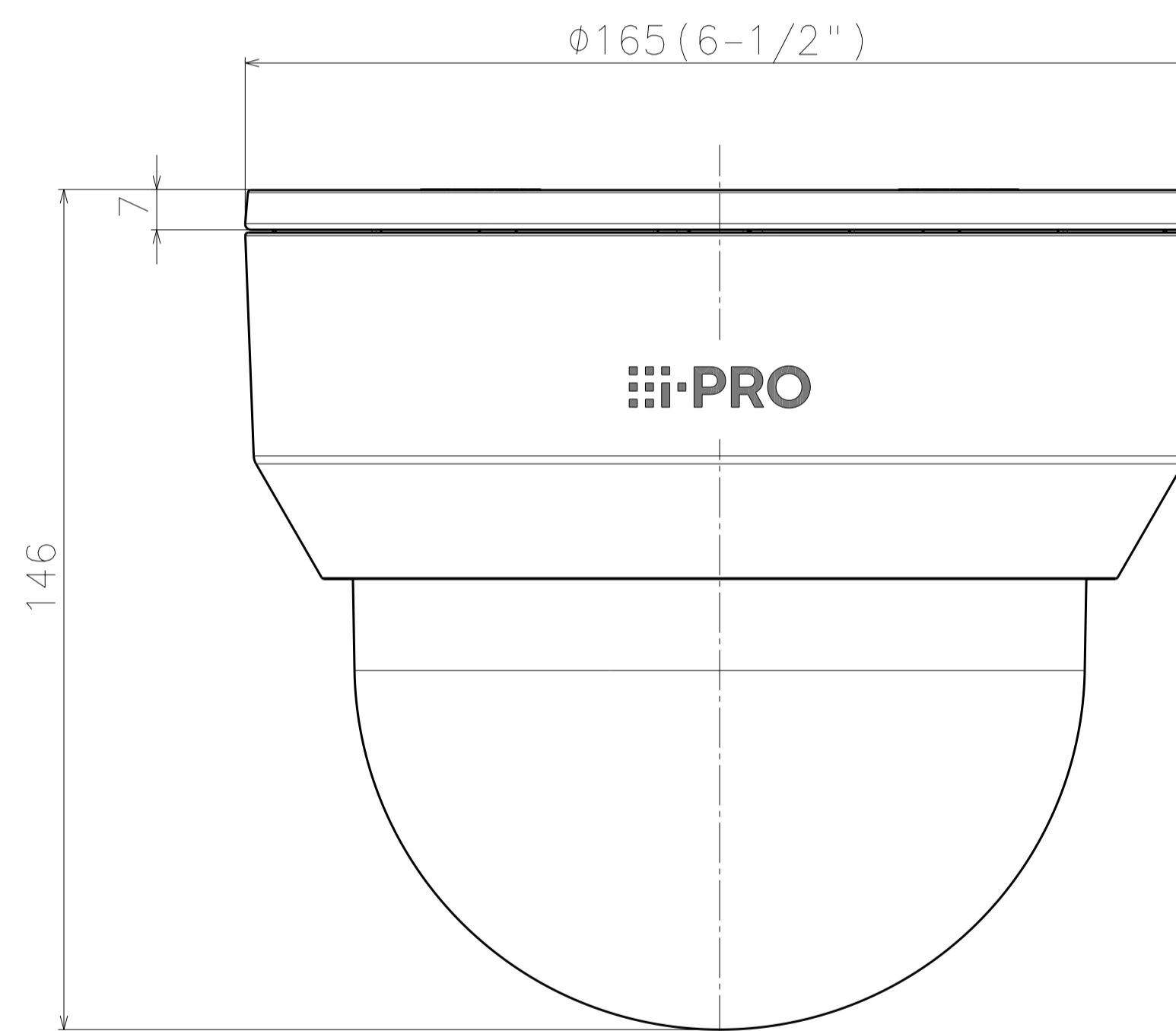
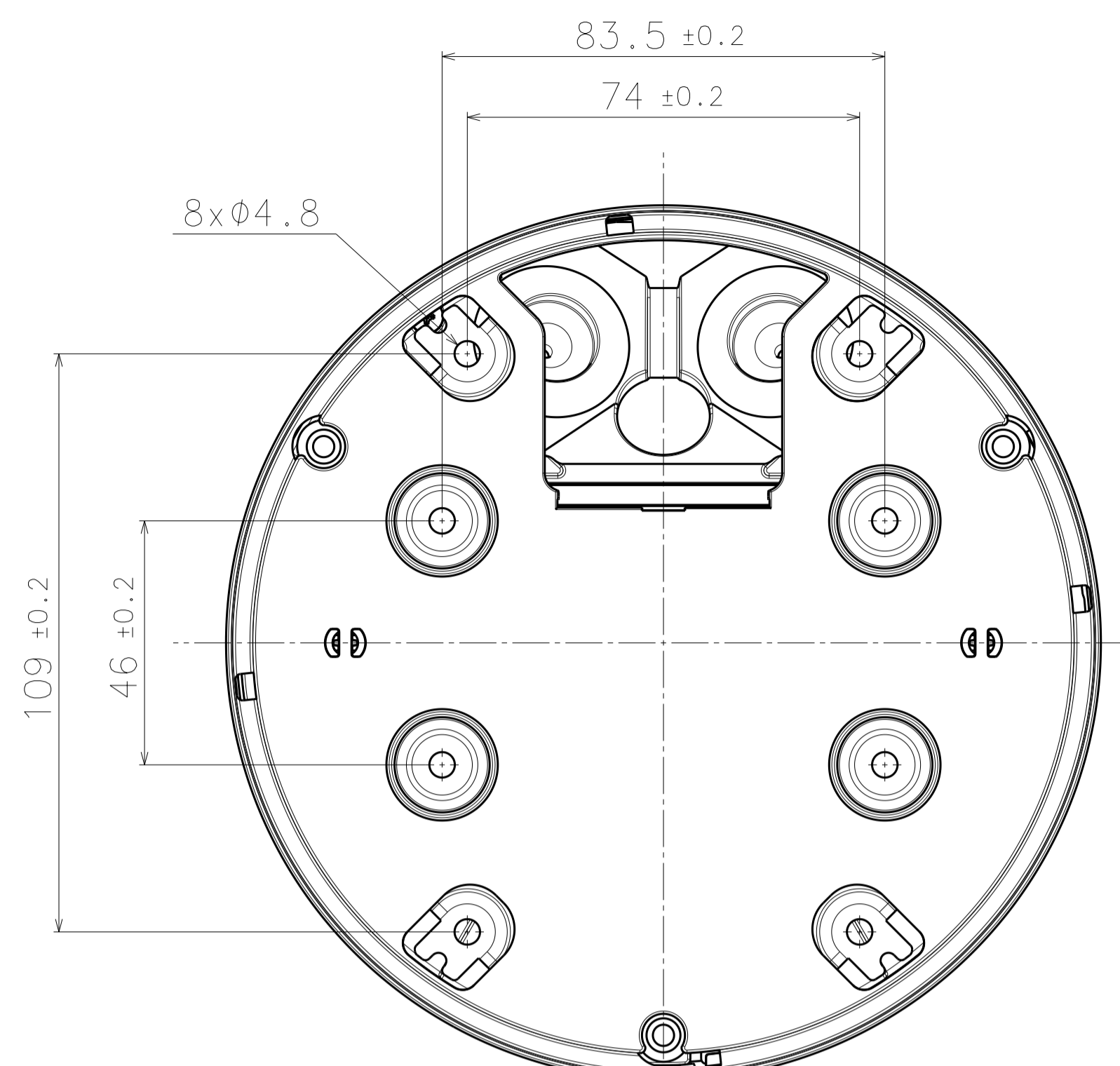
Without Enclosure



View A (2:1)



Detail B (2:1)

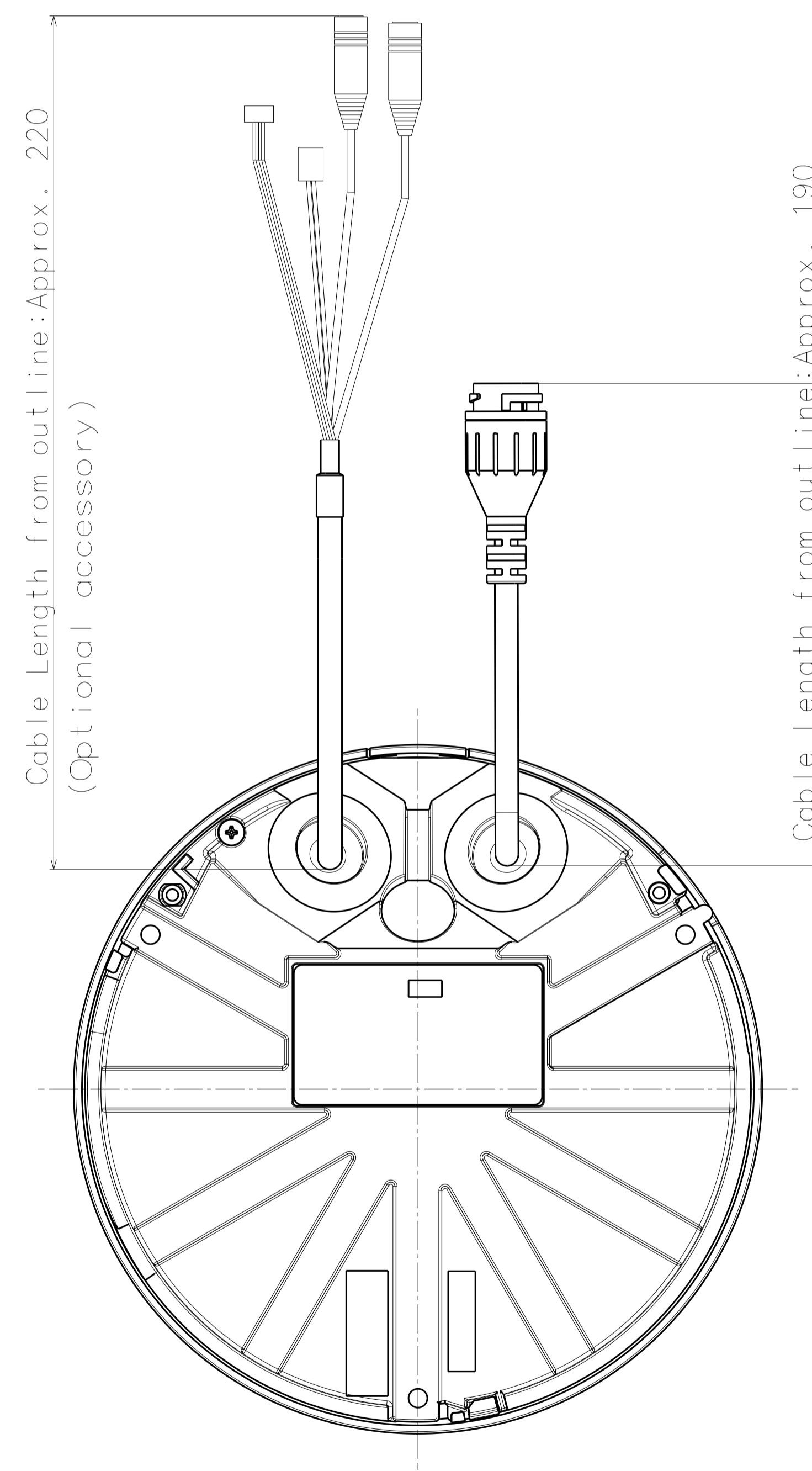


With Attachment plate & Attachment cover

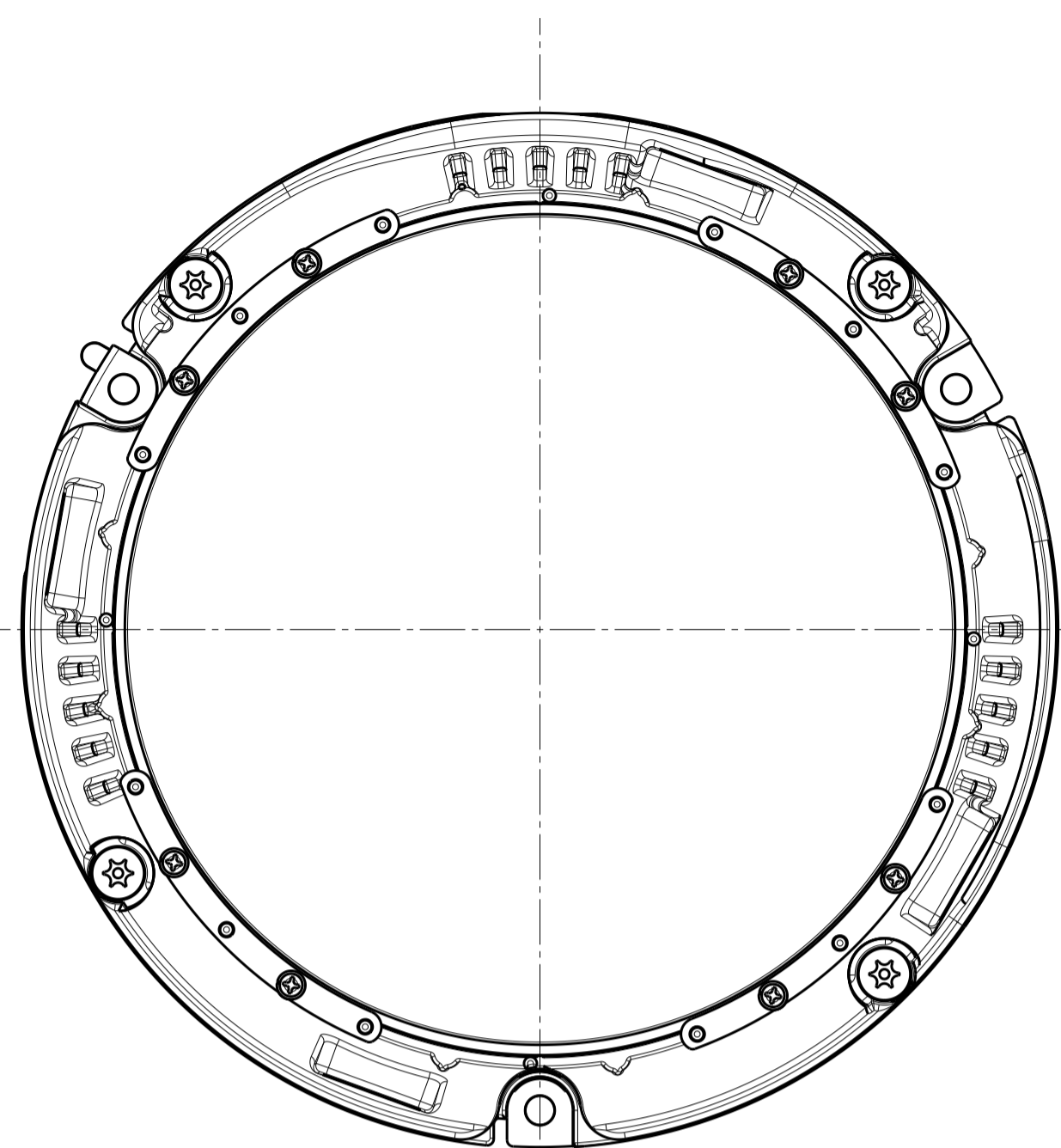
側面図/Side-view	投影面積/Projected area 0.019 (m ²)
---------------	--

Model number	Upper cover coating
WV-U65301-Z1	Black
WV-U65301-Z1G	
WV-B65301-Z1	
WV-S65301-Z1	
WV-S65301-Z1G	
WV-S65301-Z1J	
WV-S65301-Z1-1	
WV-S65301-Z1-1J	Metallic black (Heavy salt damage resistance)
WV-S65301-Z1S	
WV-S65301-Z1SJ	

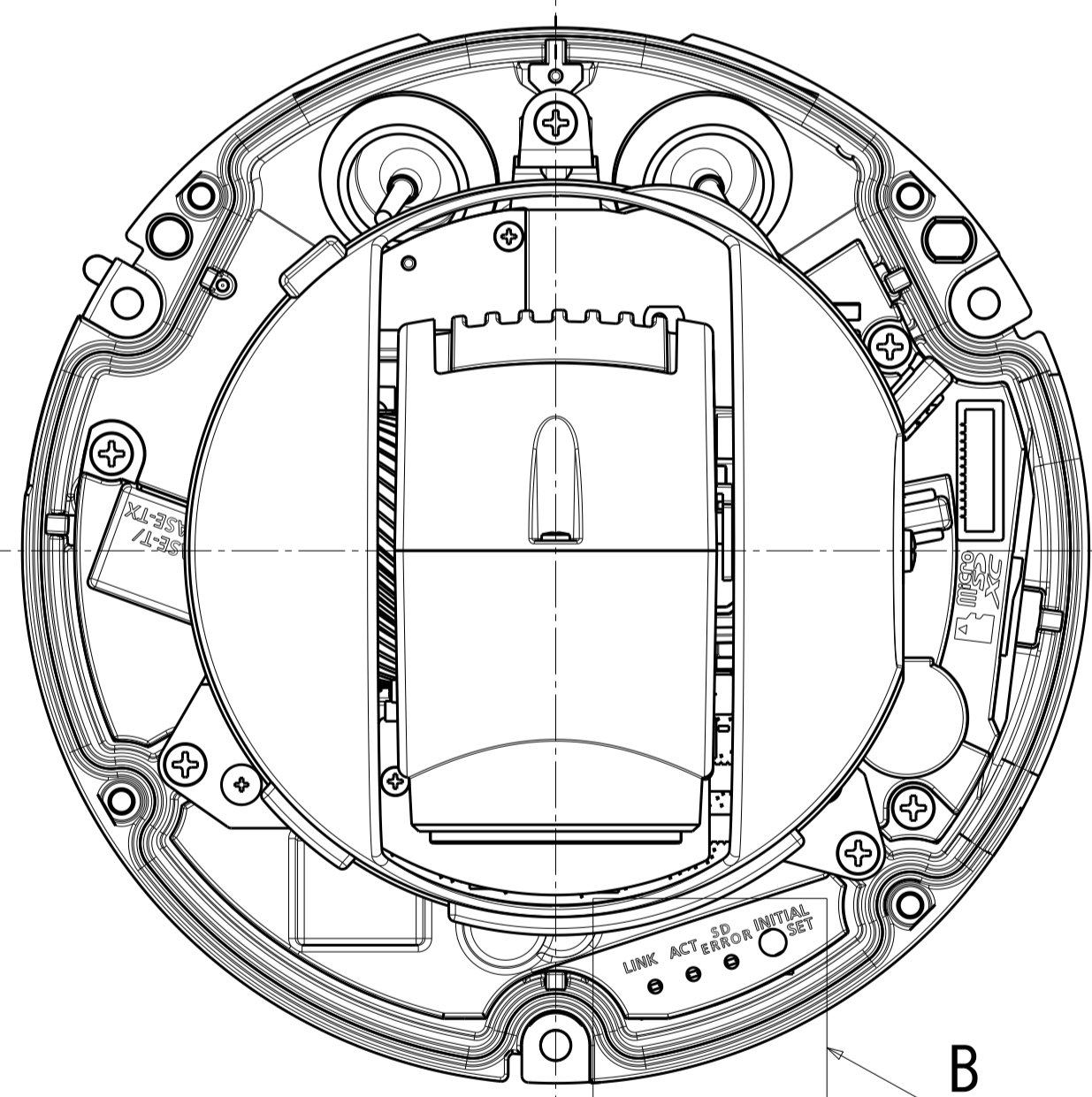
Model number	Upper cover coating
WV-U65301-Z1V	Black
WV-U65301-Z1GV	
WV-S65301-Z1V	



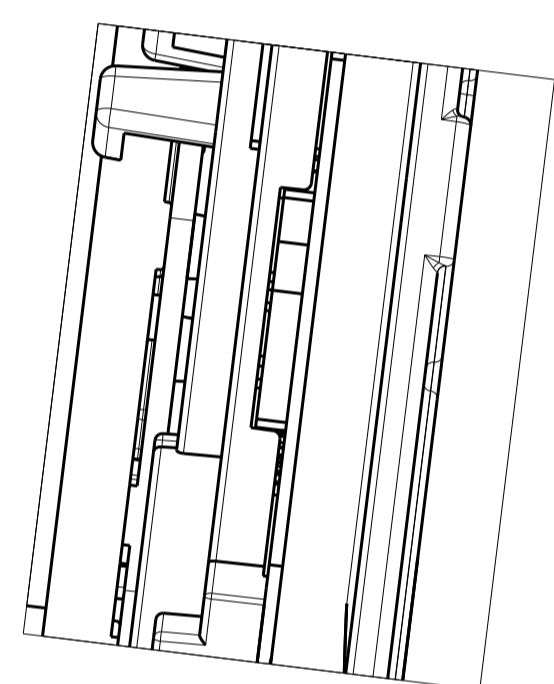
Mass : Approx. 1.6 kg {3.53 lbs}
(When using the attachment plate and attachment cover)



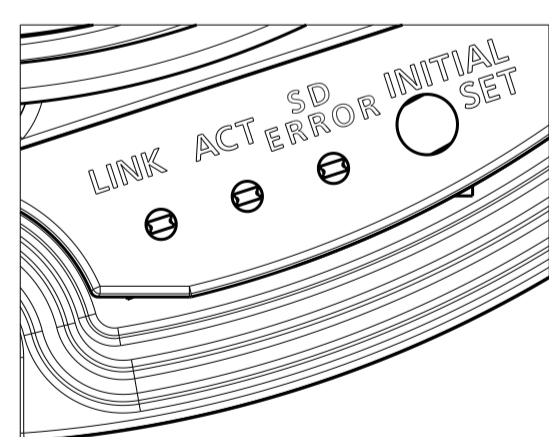
Without Decorative cover



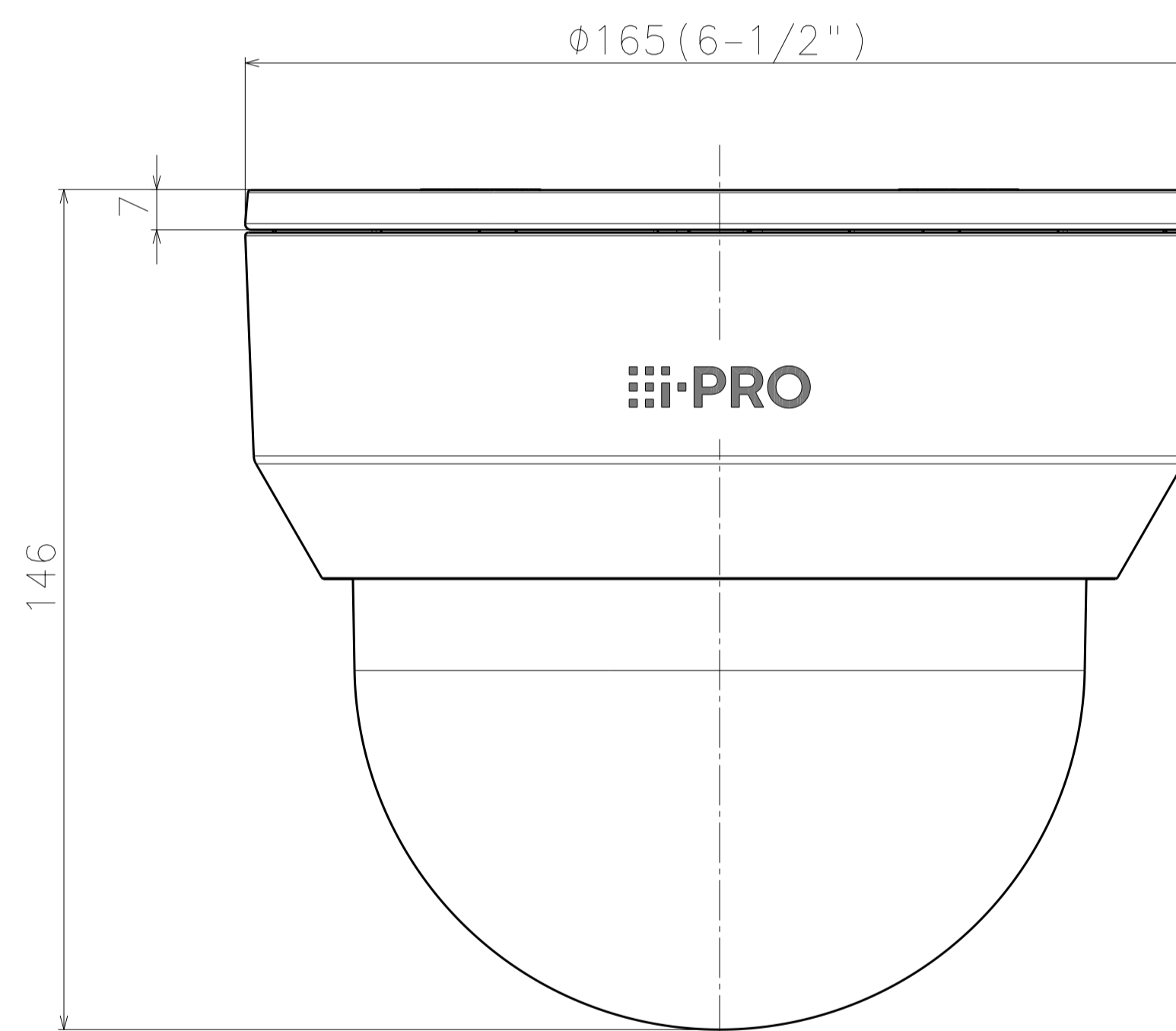
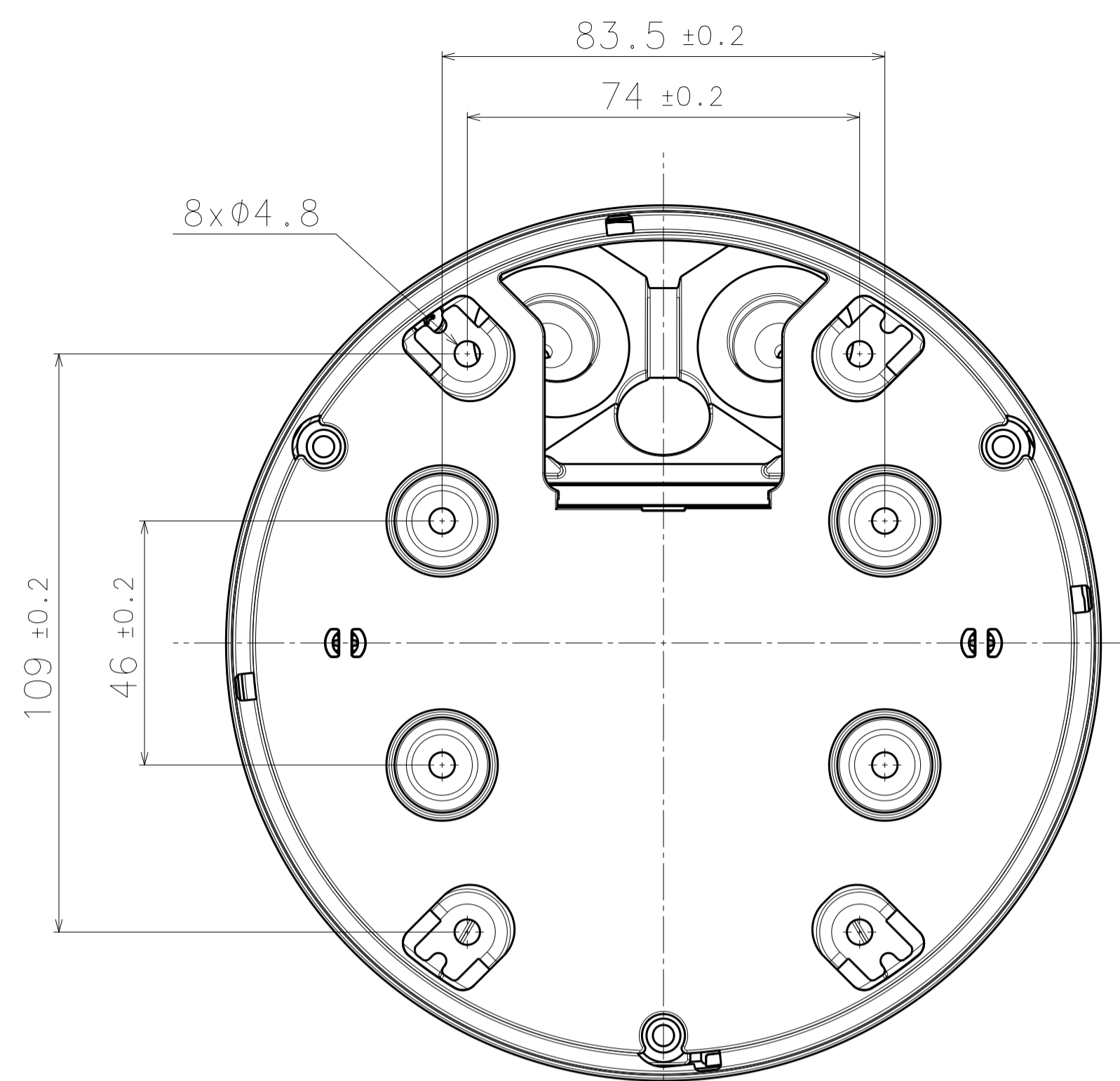
Without Enclosure



View A (2:1)

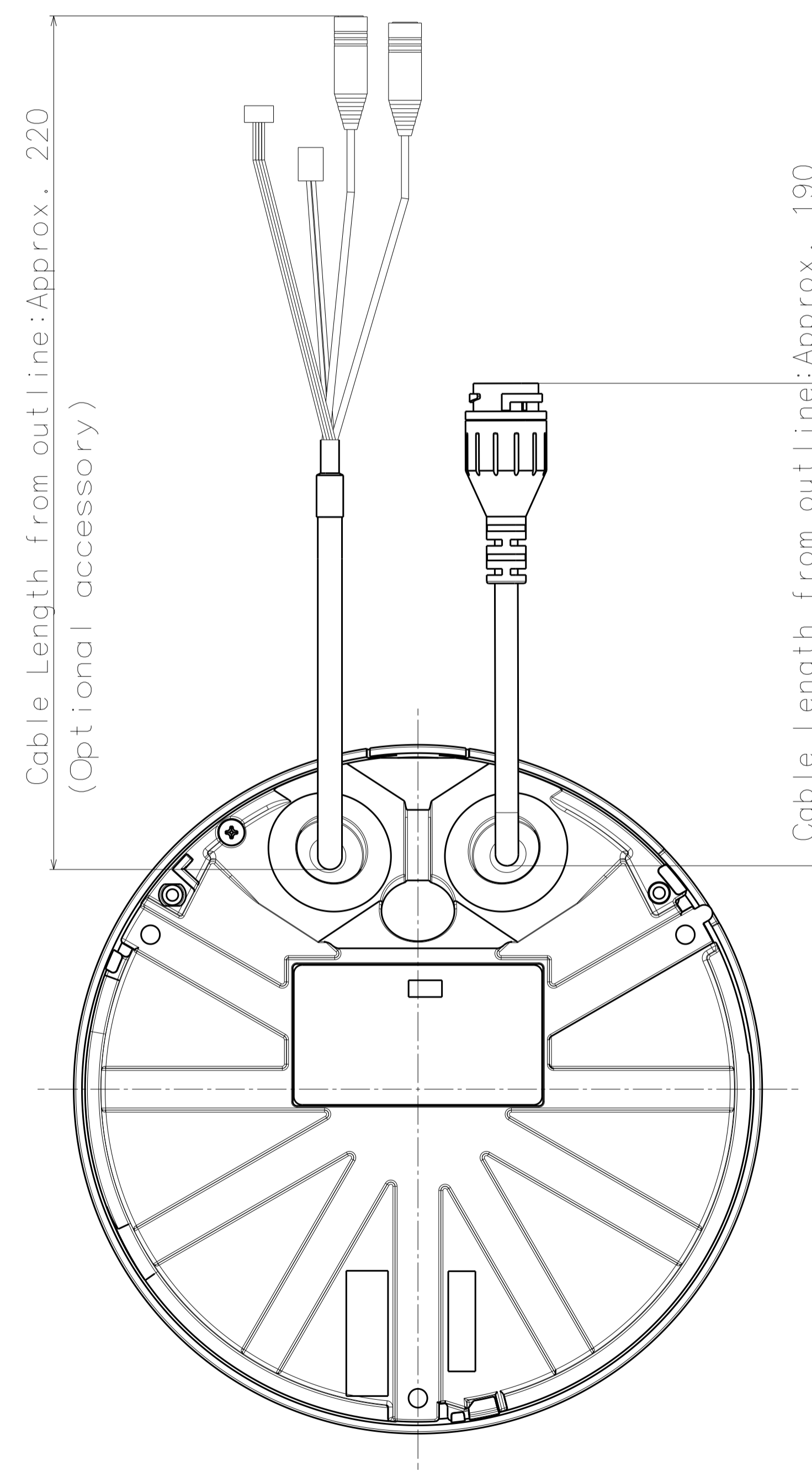


Detail B (2:1)



With Attachment plate & Attachment cover

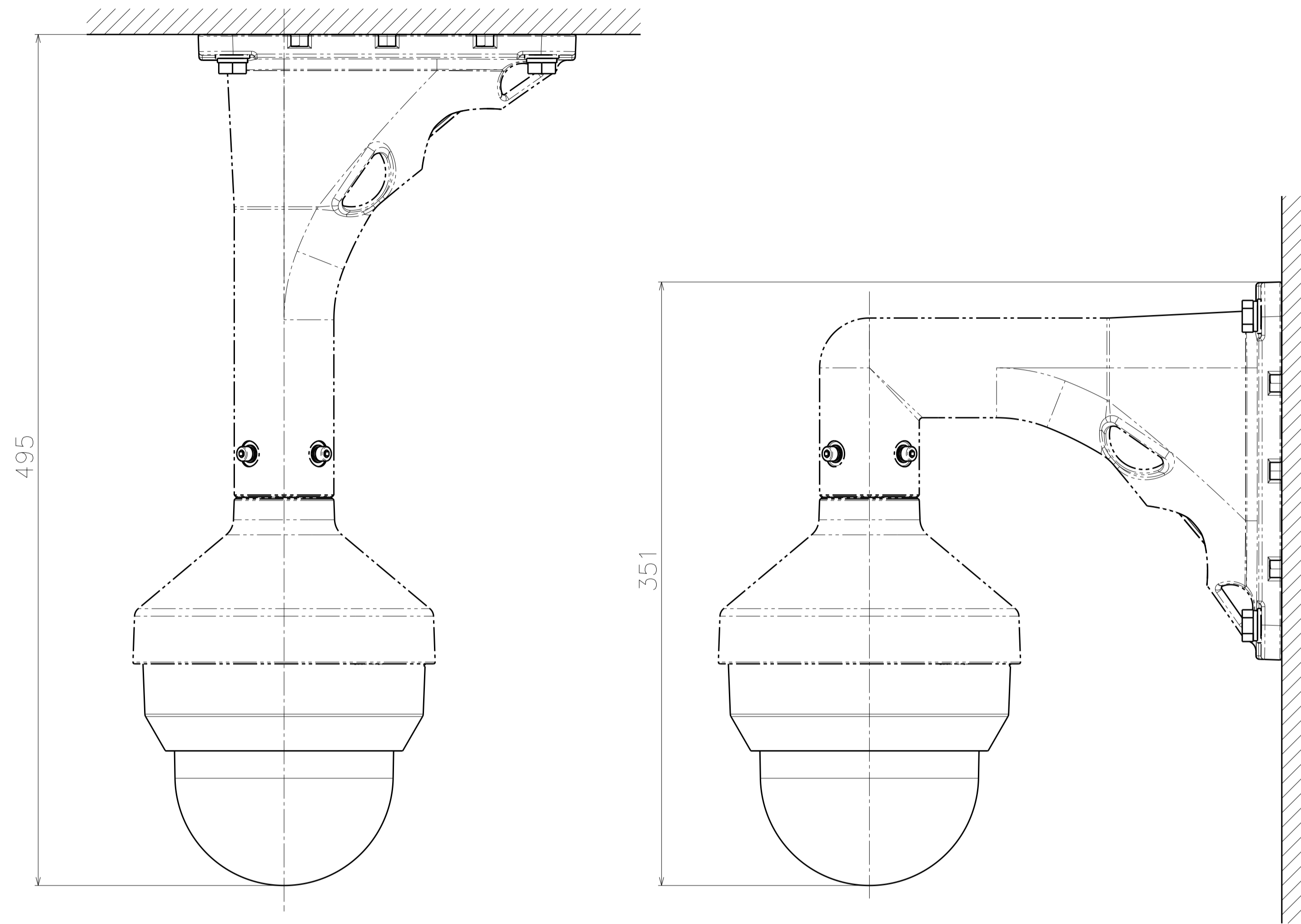
側面図/Side-view	投影面積/Projected area 0.019 (m ²)
---------------	--



Model number	Upper cover coating
WV-S65501-Z1	Black
WV-S65501-Z1G	
WV-S65501-Z1J	

Mass : Approx. 1.6 kg {3.53 lbs}
(When using the attachment plate and attachment cover)

金具との組み合わせ例
Example of combination with bracket

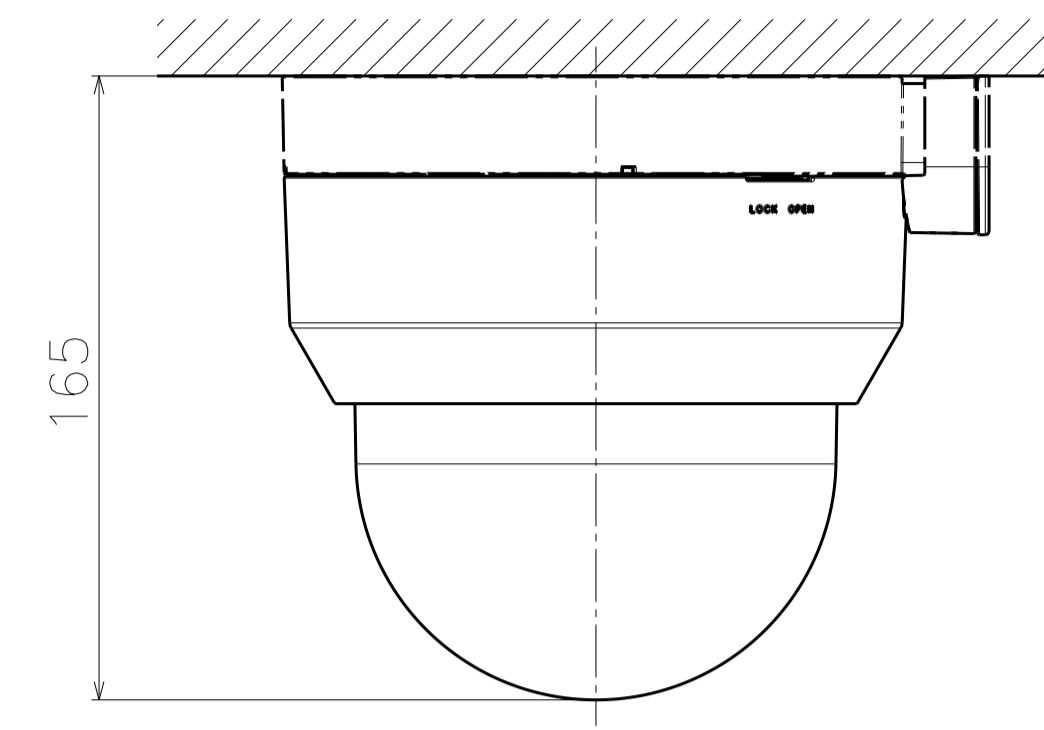


Attach to WV-QCL501** & WV-QSR501**

投影面積/Projected area	
側面図/Side-view	0.053 (m ²)
平面図/TOP-view	0.035 (m ²)

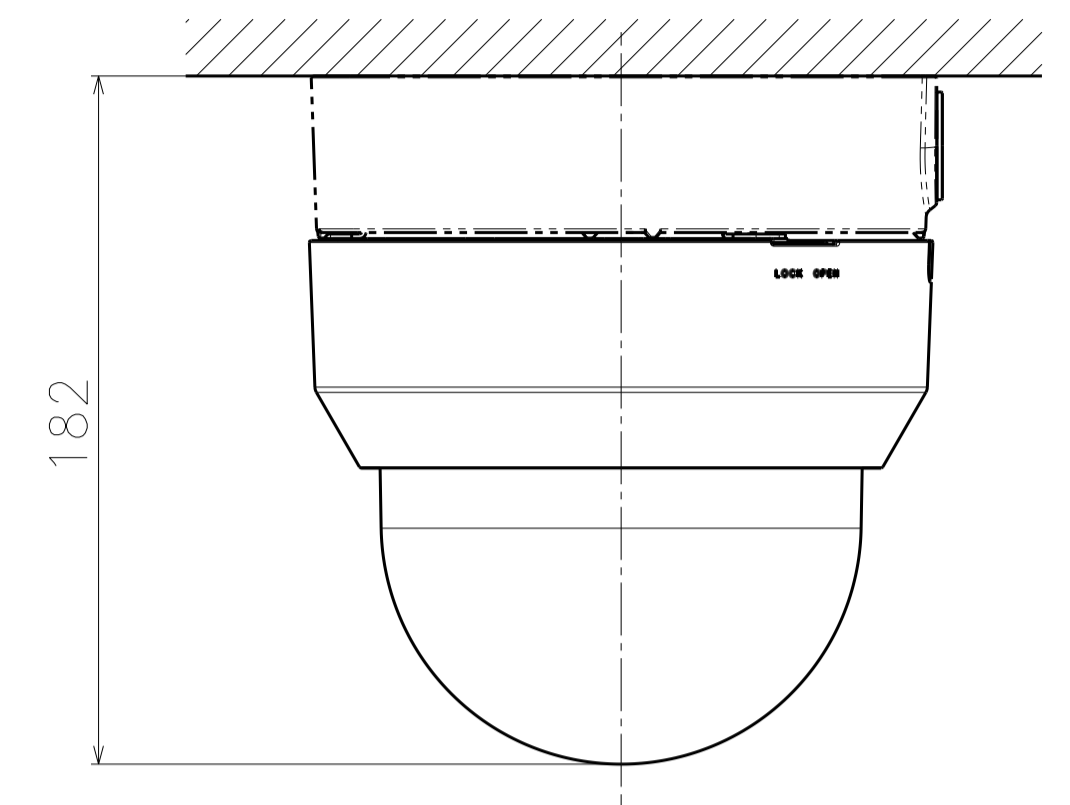
Attach to WV-QWL501** & WV-QSR501**

投影面積/Projected area	
側面図/Side-view	0.056 (m ²)
平面図/TOP-view	0.034 (m ²)



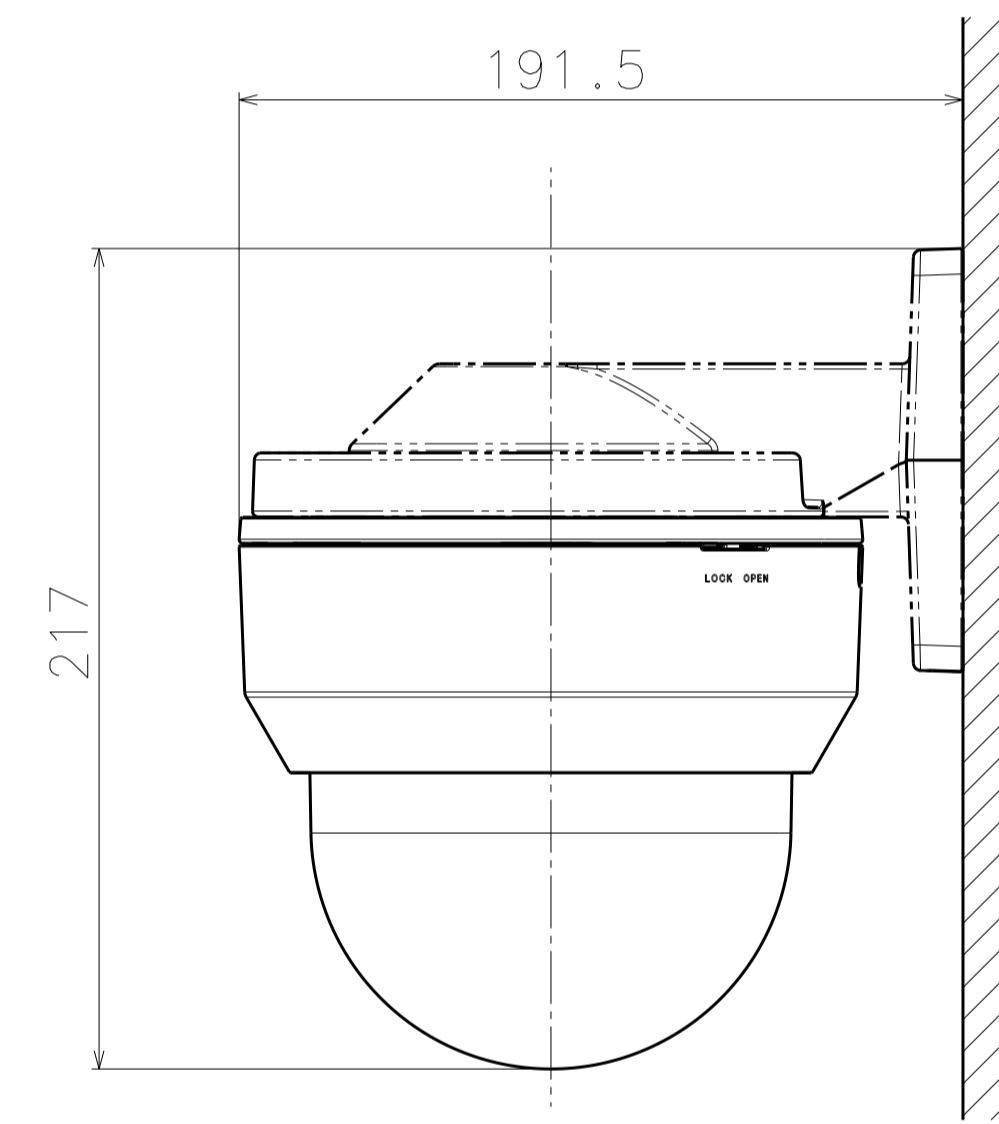
Attach to WV-QJB504**

投影面積/Projected area	
側面図/Side-view	0.023 (m ²)



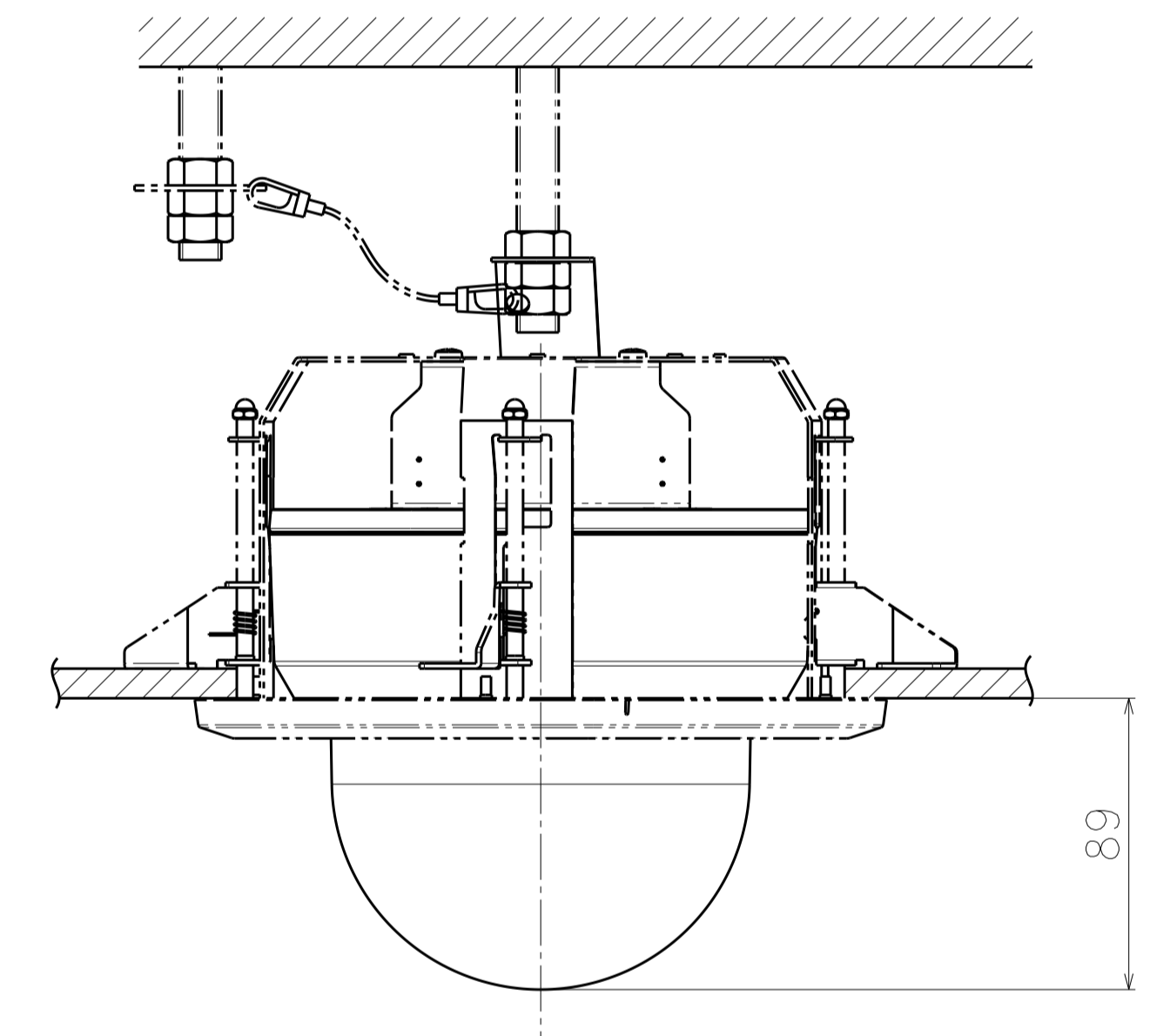
Attach to WV-QJB501**

投影面積/Projected area	
側面図/Side-view	0.025 (m ²)

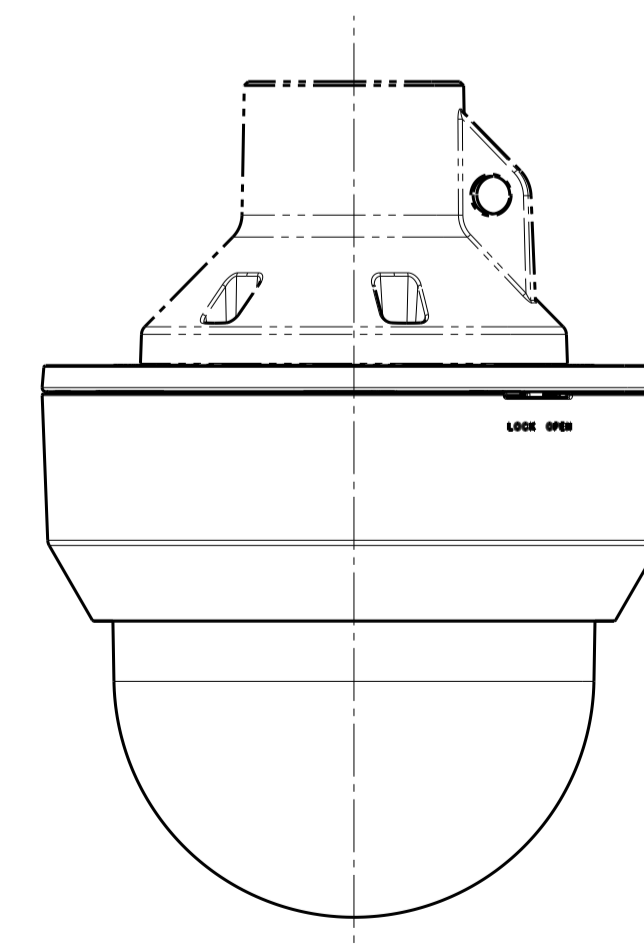


Attach to WV-QWL500**

投影面積/Projected area	
側面図/Side-view	0.027 (m ²)



Attach to WV-QEM503**

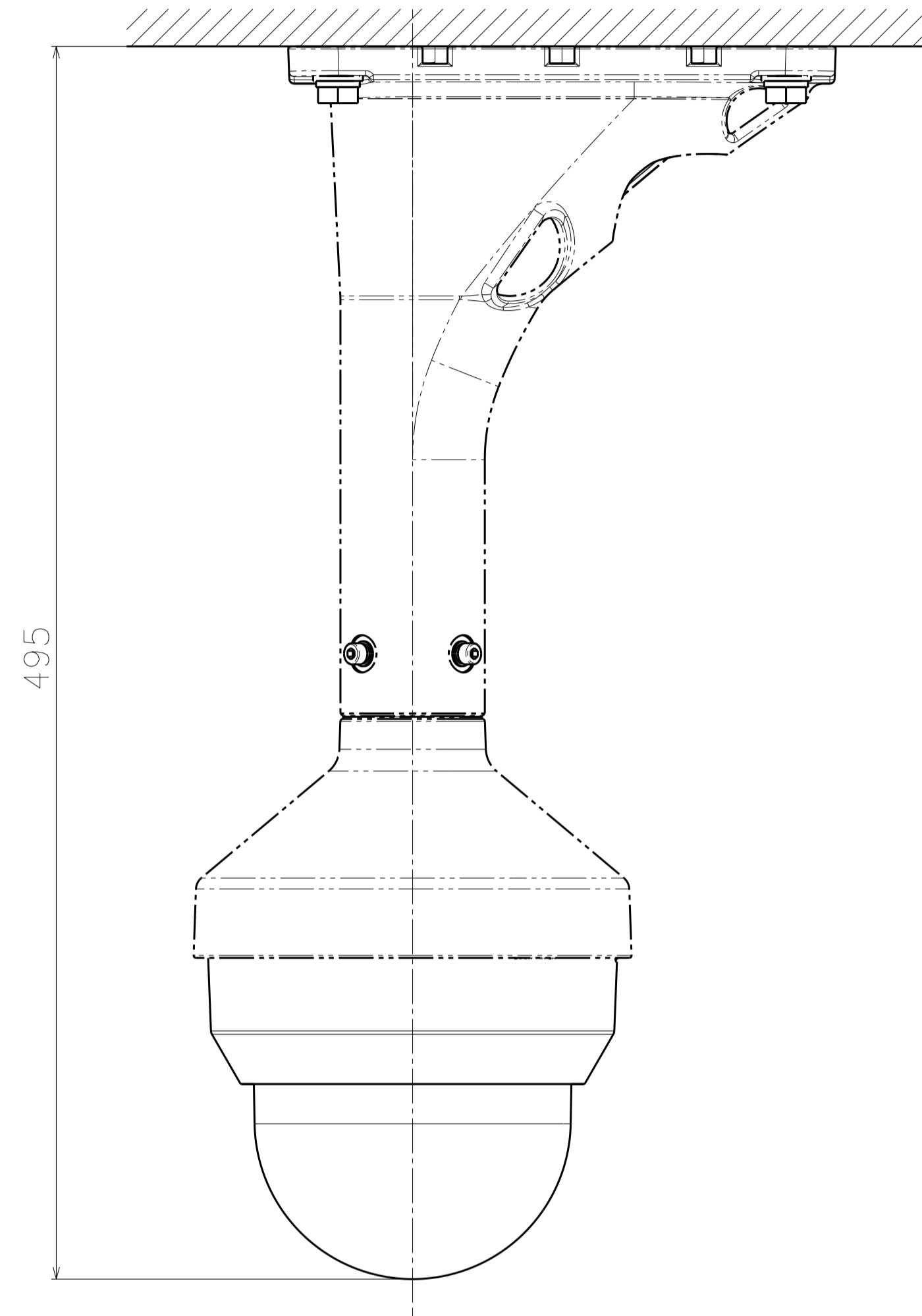


Attach to WV-QCL100**

Model number
WV-U65301-Z1
WV-U65301-Z1G
WV-B65301-Z1
WV-S65301-Z1
WV-S65301-Z1G
WV-S65301-Z1J
WV-S65301-Z1-1
WV-S65301-Z1-1J
WV-S65501-Z1J
WV-S65501-Z1-1
WV-S65501-Z1-1J
WV-U65301-Z1V
WV-U65301-Z1GV
WV-S65301-Z1V

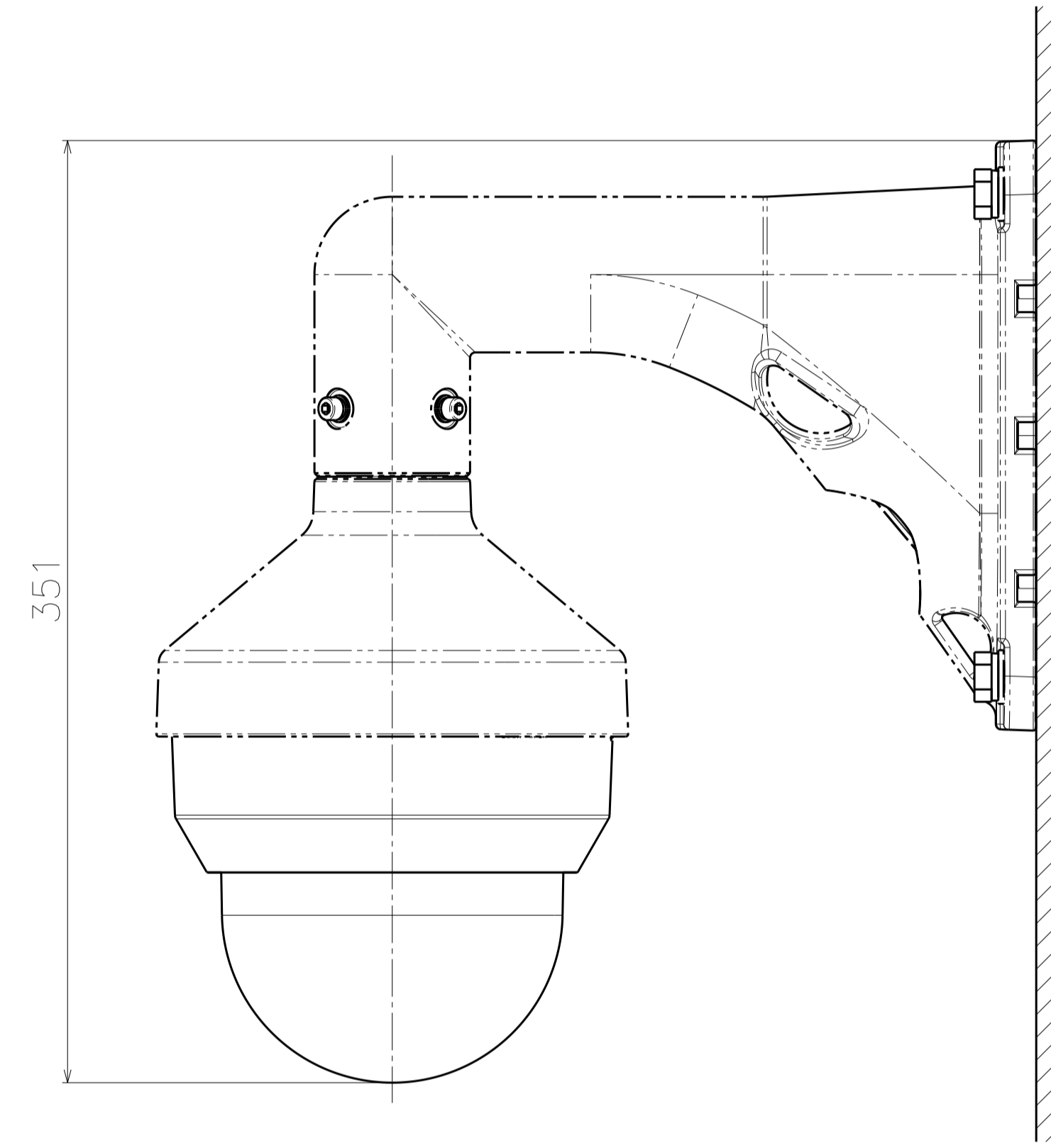
金具との組み合わせ例
Example of combination with bracket

耐重塩害モデル
Heavy salt damage version



Attach to WV-QCL501S-W & WV-QSR501S-W

	投影面積/Projected area
側面図/Side-view	0.053 (m ²)
平面図/TOP-view	0.035 (m ²)



Attach to WV-QWL501S-W & WV-QSR501S-W

	投影面積/Projected area
側面図/Side-view	0.056 (m ²)
平面図/TOP-view	0.034 (m ²)

Model number
WV-S65301-Z1S
WV-S65301-Z1SJ