

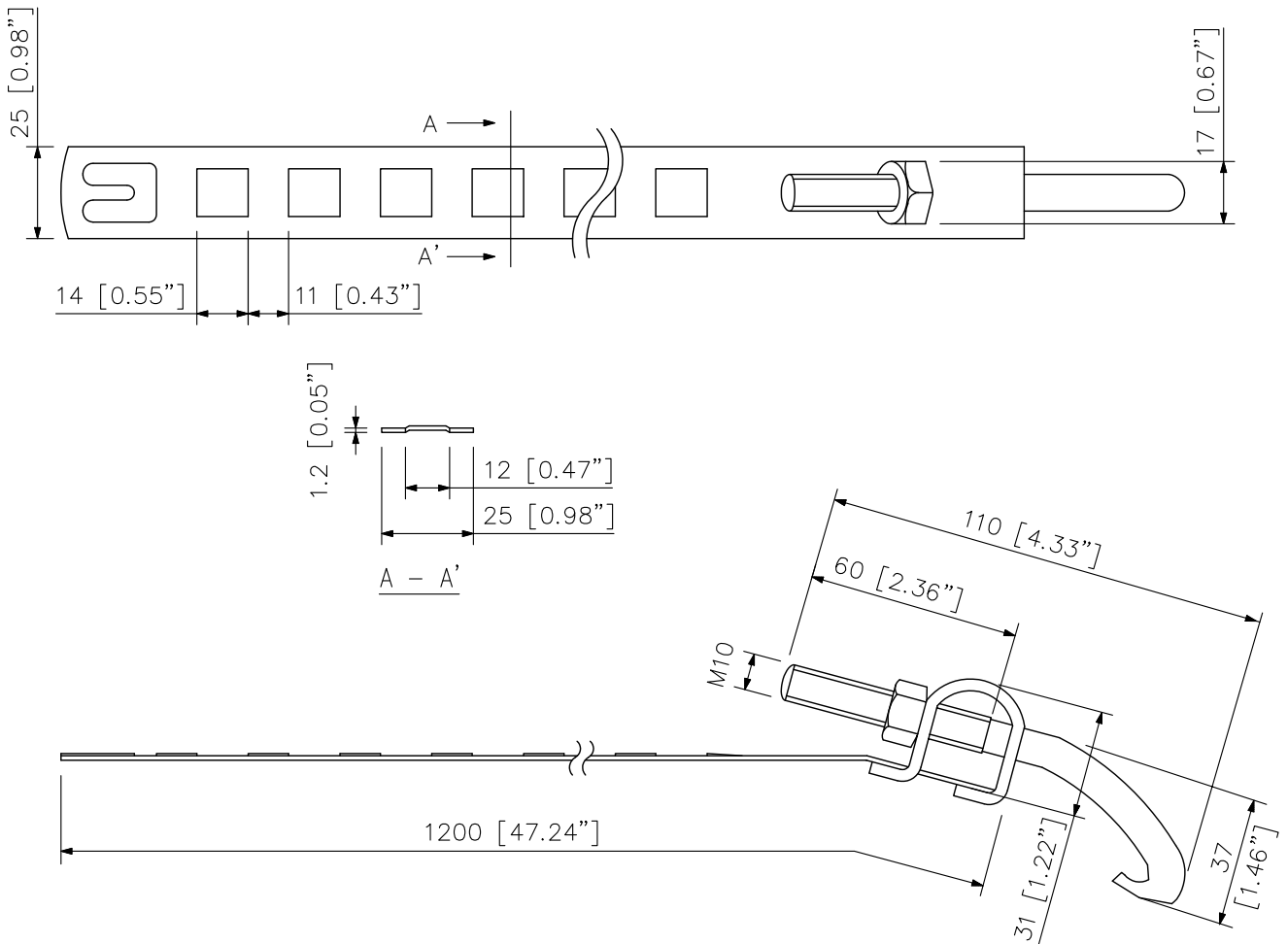
■DESCRIPTION

The YS-60B Mounting Band is primarily designed to be used to install the speaker on a pole. It is comprised of two bands.

■SPECIFICATIONS

|                        |   |
|------------------------|---|
| Mounting Pole Diameter | Applox. $\phi 90 - \phi 340$ ( $\phi 3.5'' - \phi 13.4''$ ) |
| Finish                 | Electroless zinc plating                                    |
| Weight                 | 360 g (0.79 lb) (per band)                                  |
| Product Composition    | Pole band $\times 2$  |

■APPEARANCE



UNIT:mm SCALE:1/2