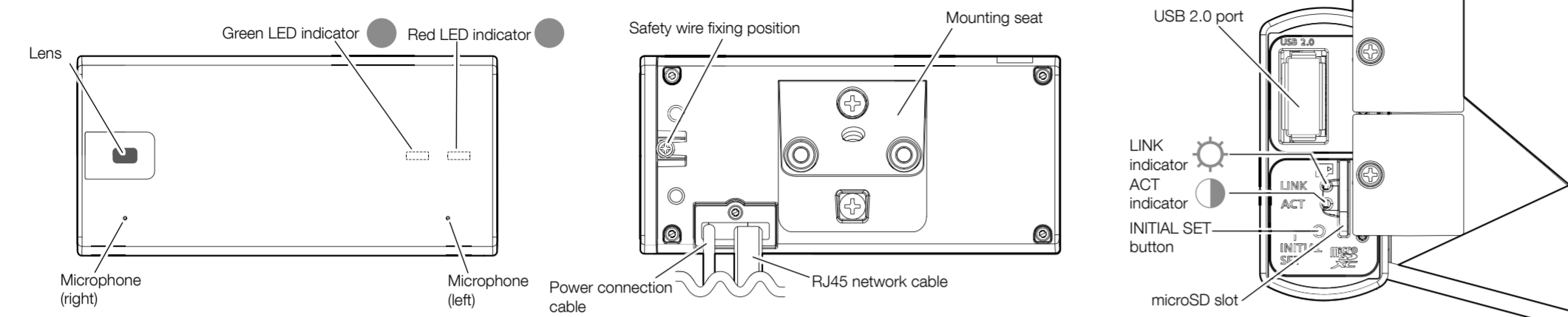


# Installation Procedure

## Parts and functions

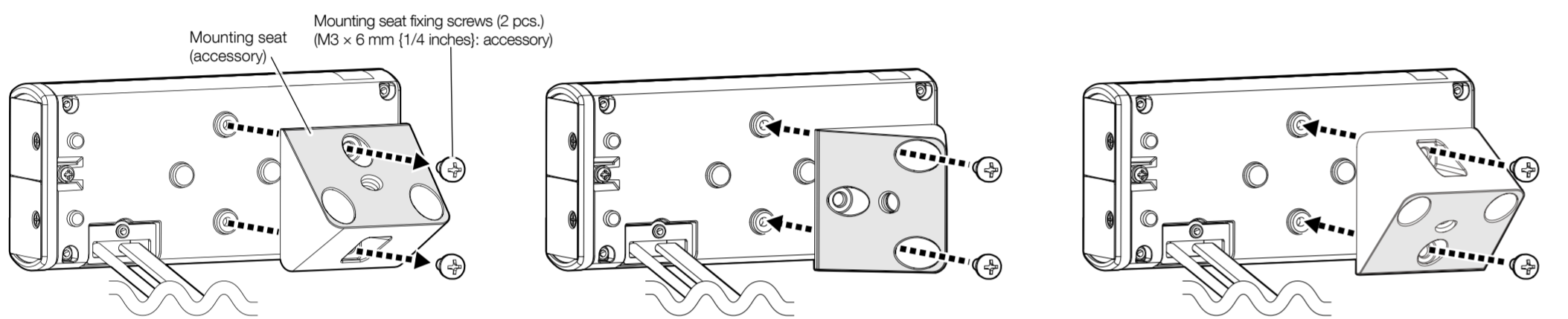


### Step1 Preparations

**Important:** When installing this device, be sure to use the mounting seat or locally procured bracket.

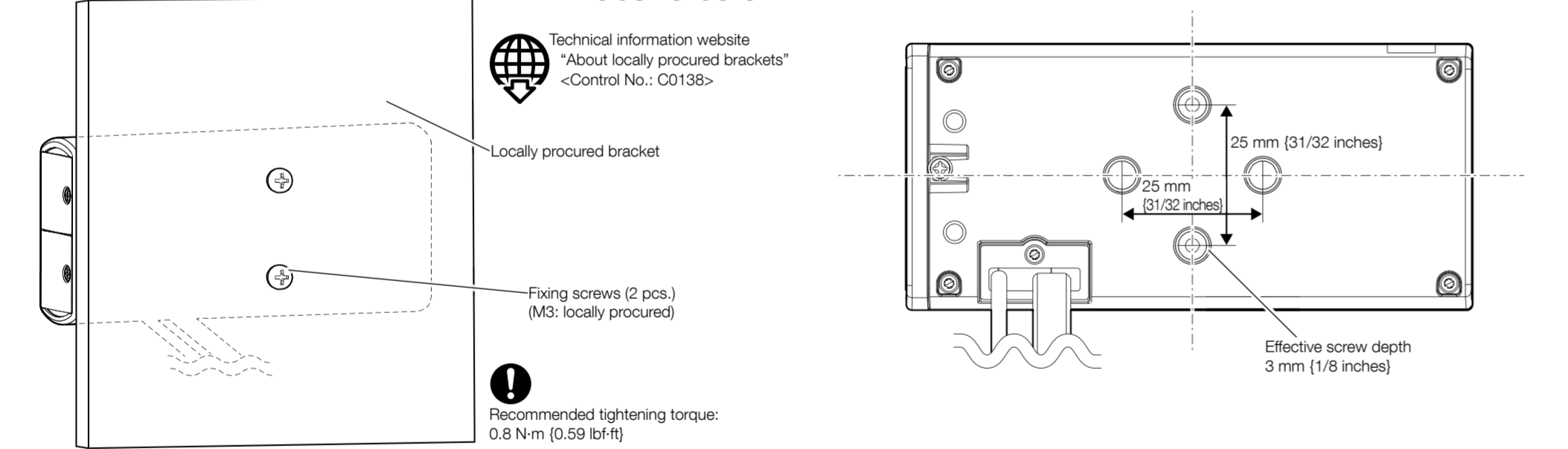
#### When changing the orientation of the mounting seat (accessory)

Recommended tightening torque: 0.8 N·m [0.59 lbf·ft]

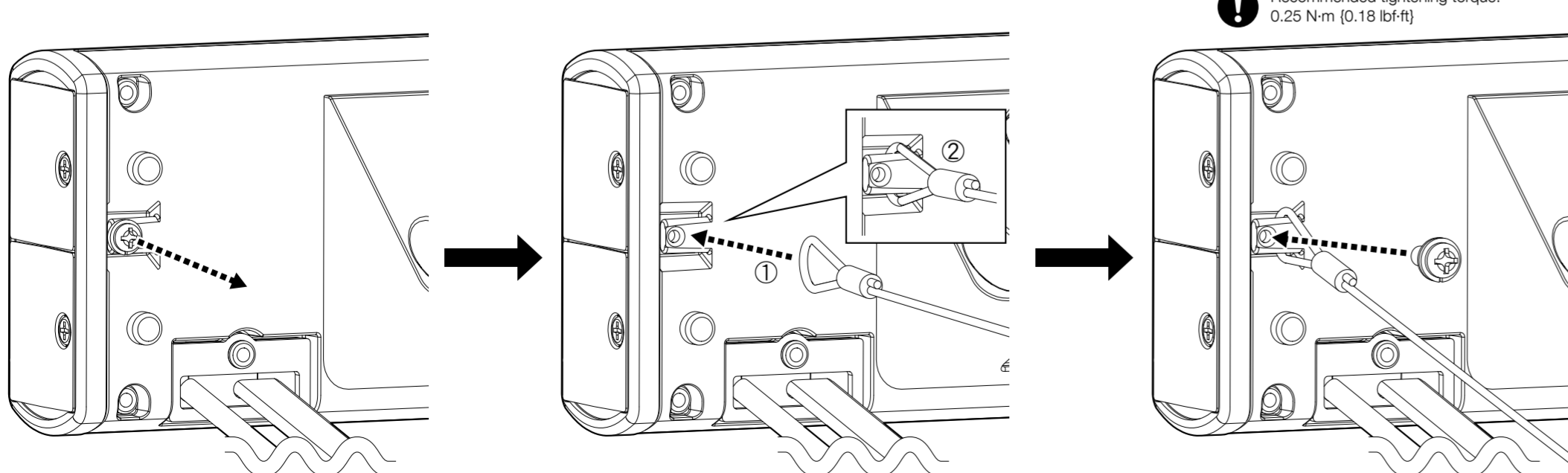


#### When using a locally procured bracket

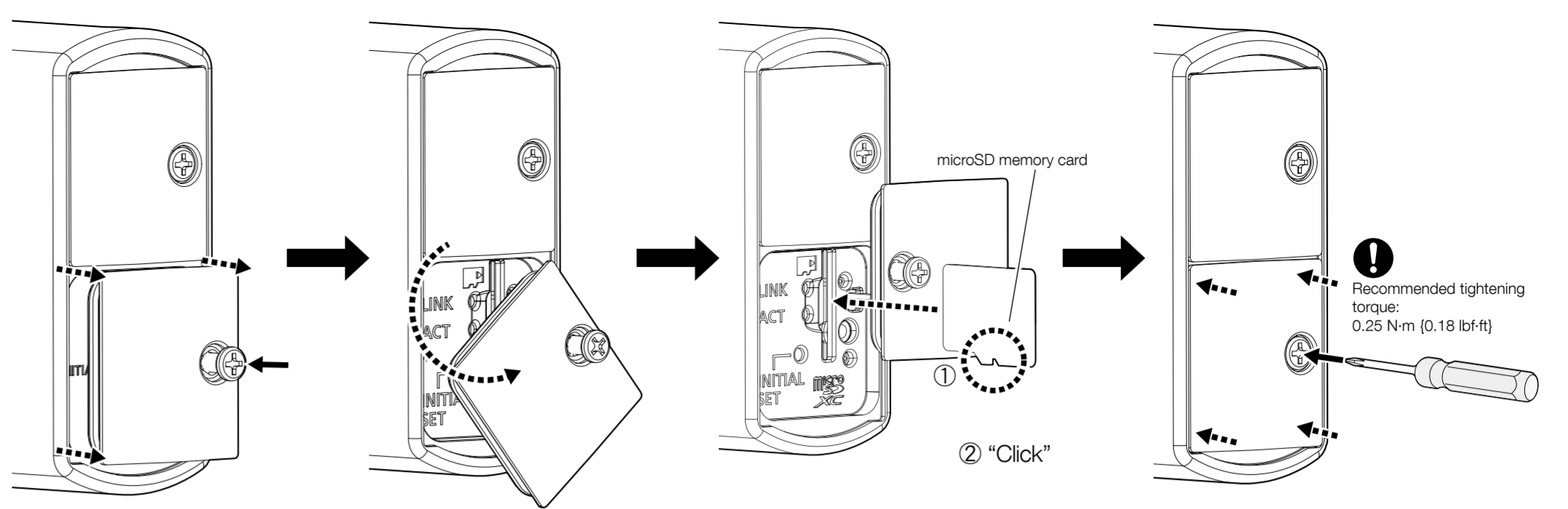
If you are using a locally procured bracket, be sure to refer to the website below.



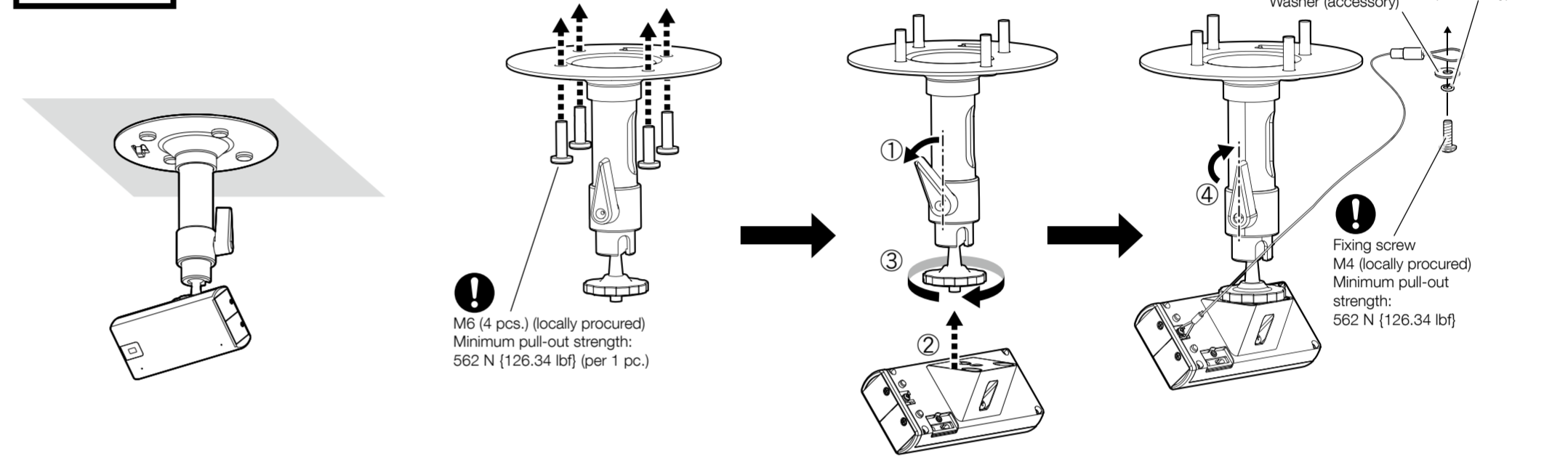
#### Attaching the Safety wire



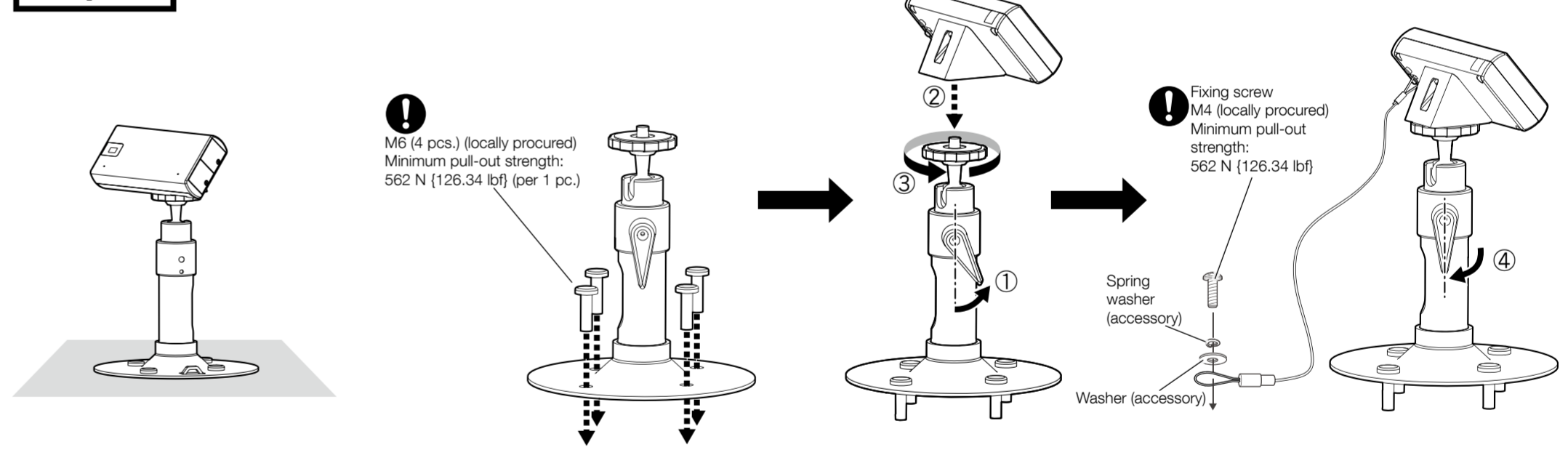
### When opening the side cover (indicator check, INITIAL SET, microSD memory card attachment)



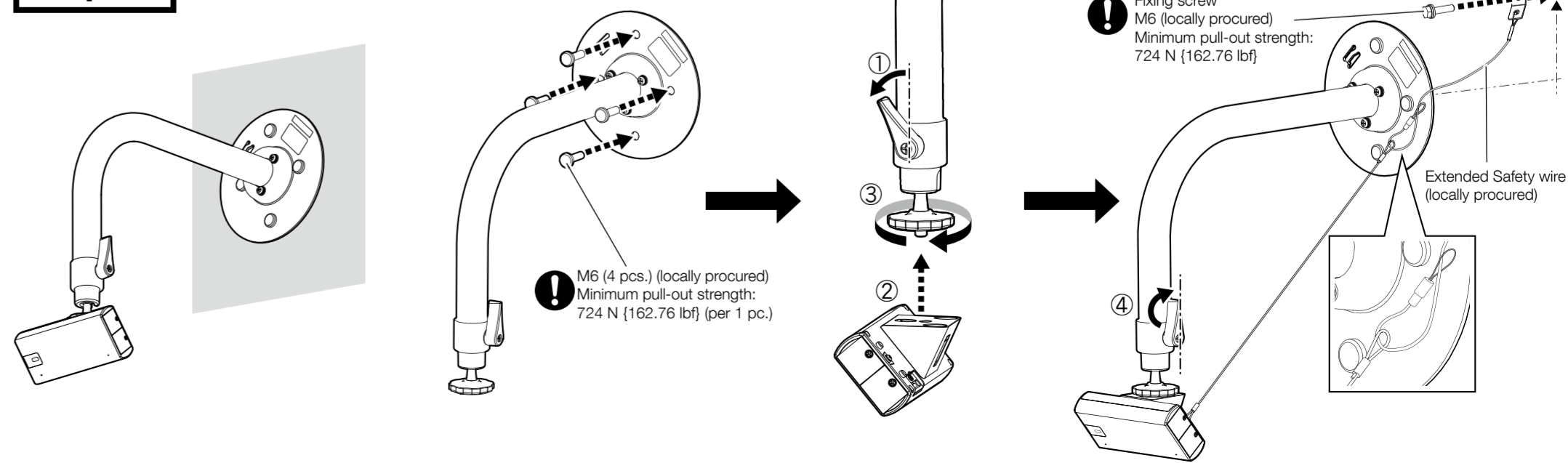
### Step2-1 For mounting on ceiling



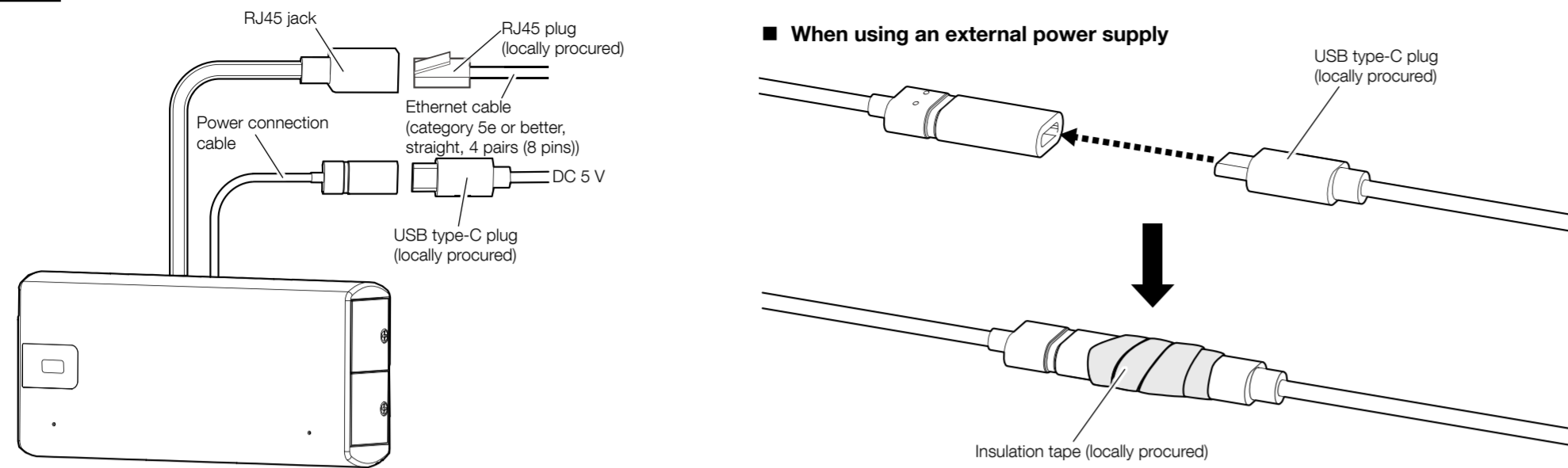
### Step2-2 For fixed installation



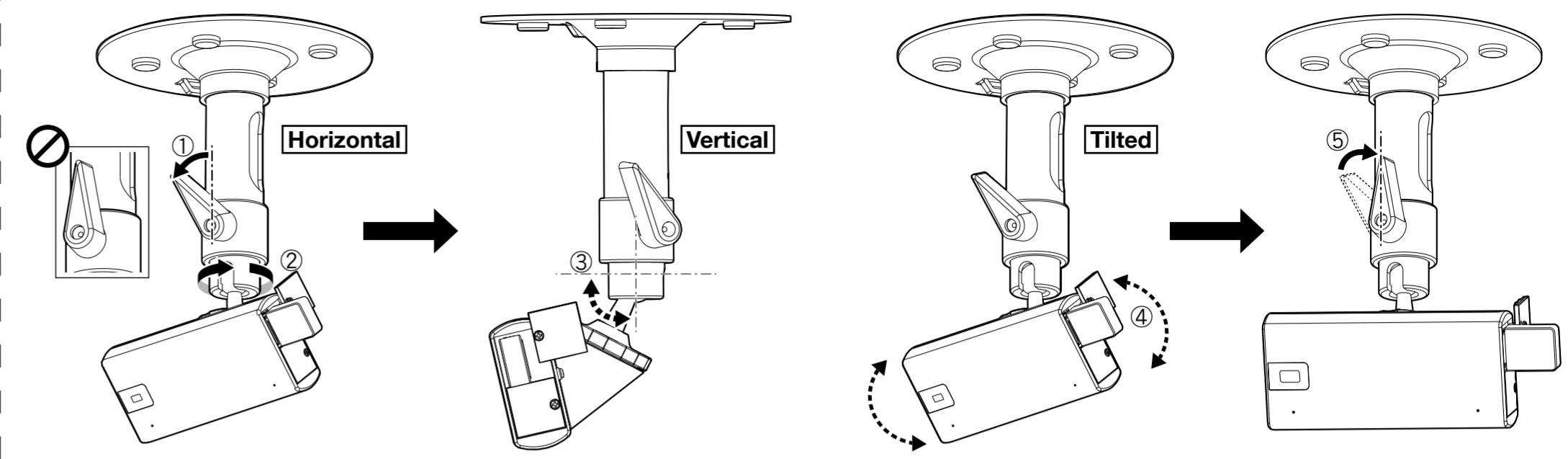
### Step2-3 For mounting on wall



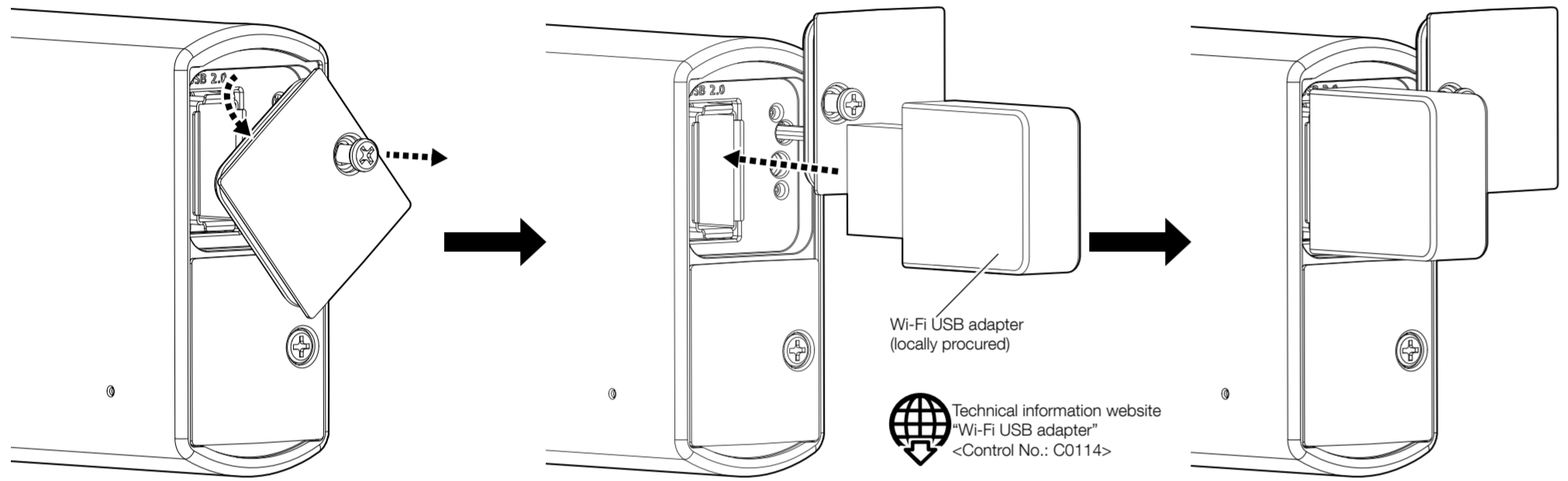
**Step3-1**



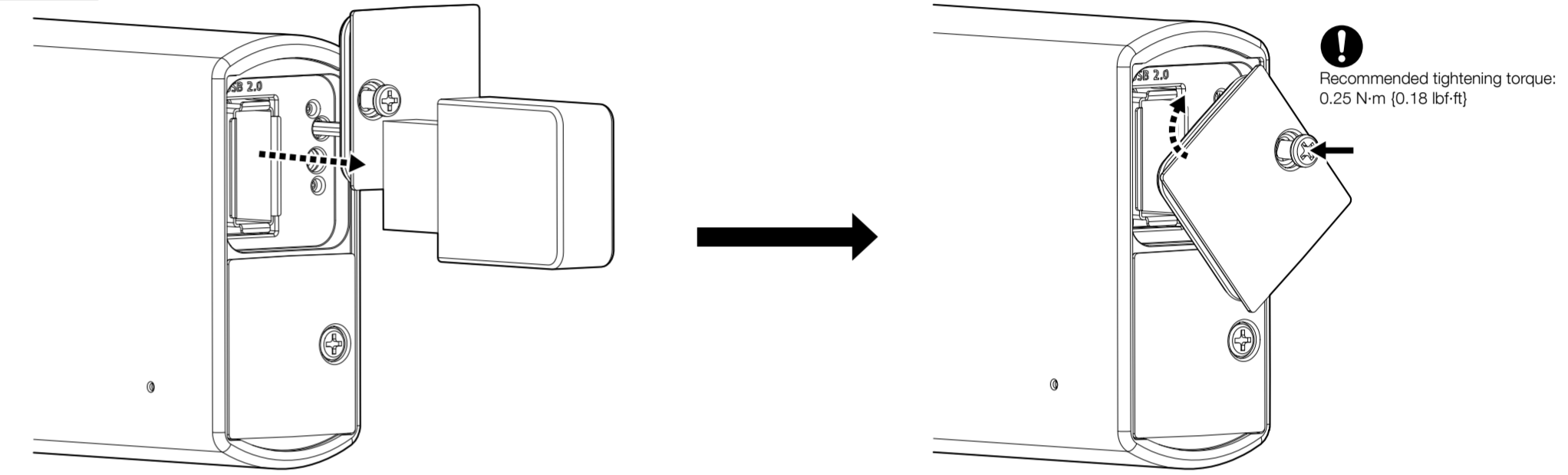
**Step4-3 Adjustment example when mounting on a ceiling**



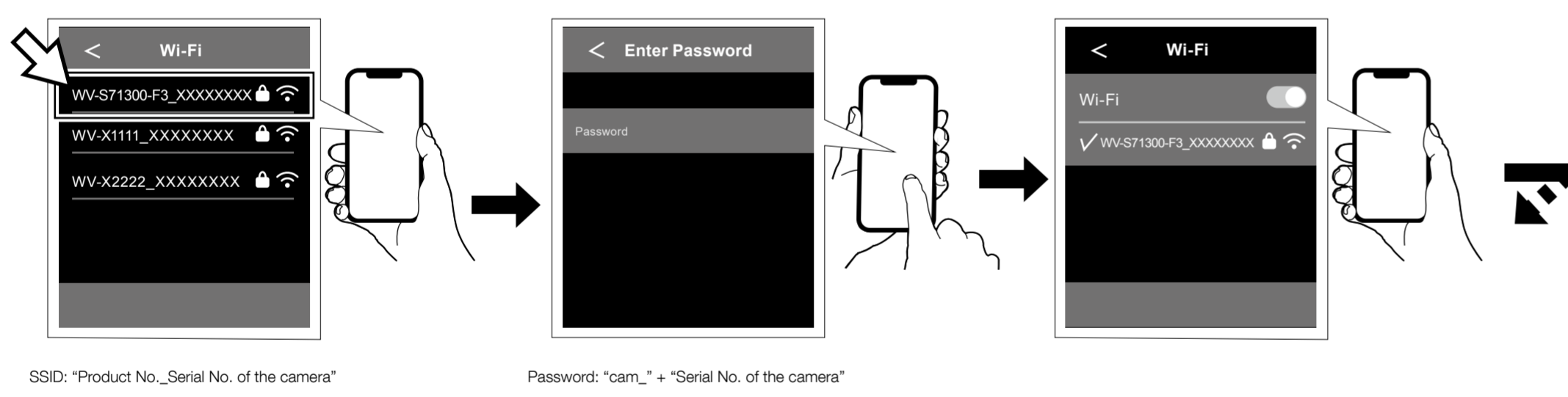
**Step4-1** Checking the screen on a mobile device  
→ Turn the power on (DC 5 V/PoE)



**Step4-4**



**Step4-2**

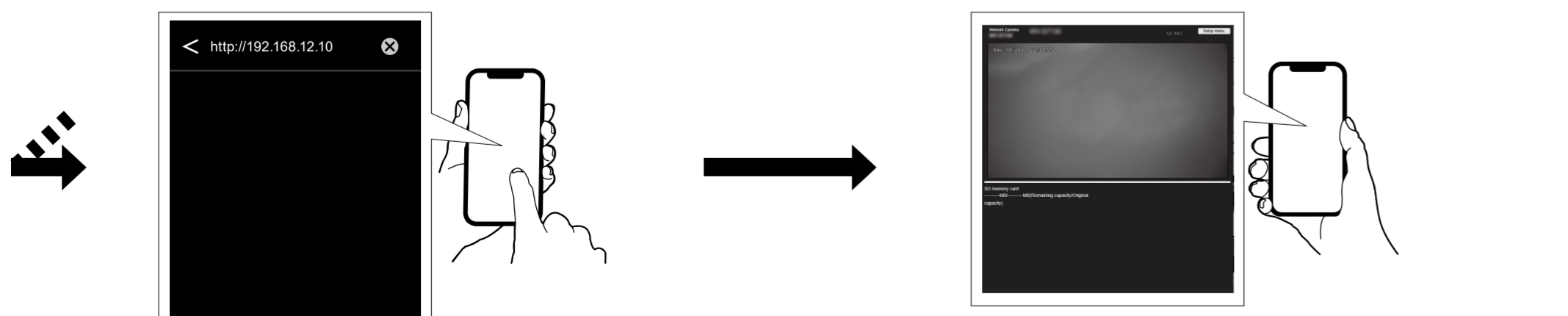
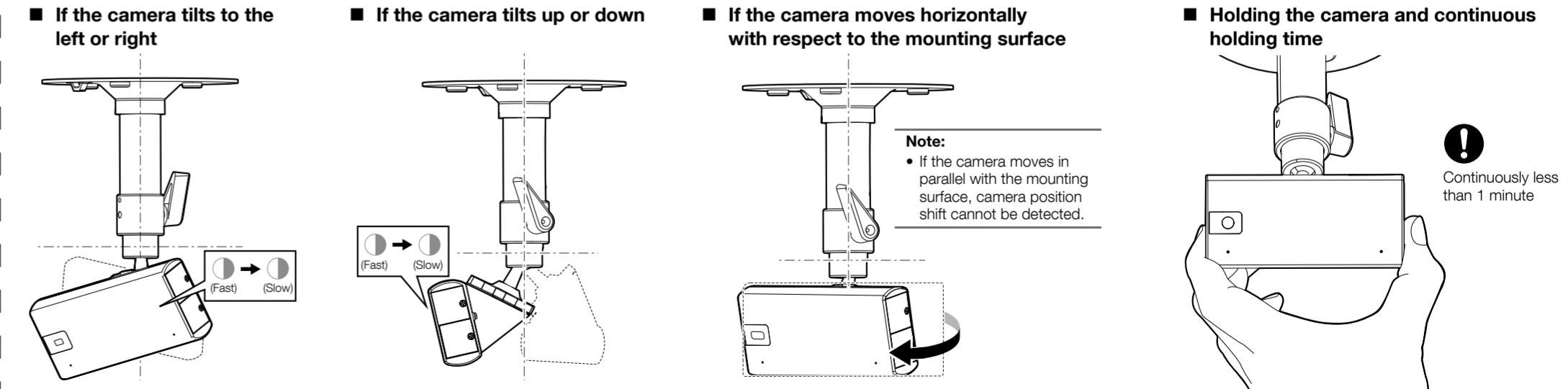


**Step5-1**



**Note:**  
• Be sure to check the angle of view on the computer screen and make fine adjustments before registering the angle of view.  
For registration of the angle of view, refer to the Operating Instructions.

■ If the camera is misaligned after installation



■ Indicators

Angle of view is misaligned:	Green/Red	Blinking	Camera error:	Red	Lights when the power is turned on
Adjust the angle of view:	Green/Red	Blinking (large misalignment: fast, small misalignment: slow)	SD card error:	Red	Lights during operation
The angle of view matches the initial position:	Green/Red	On and then off (after 5 seconds)			

