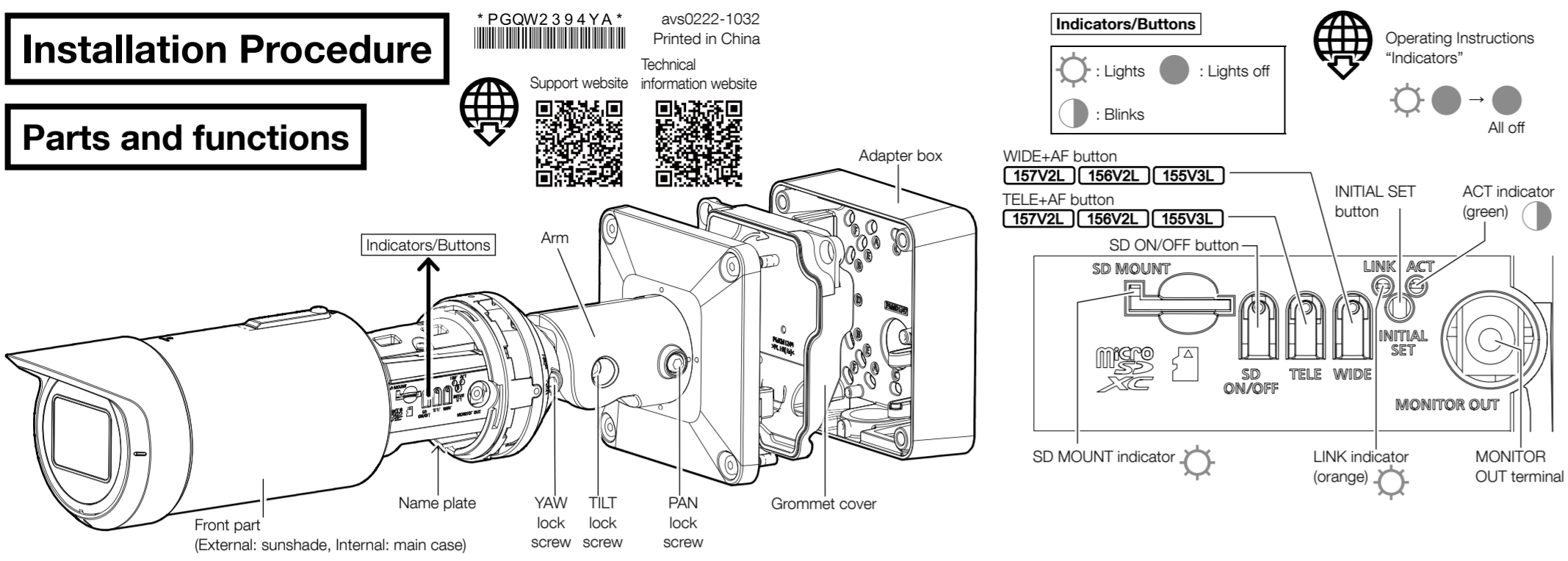
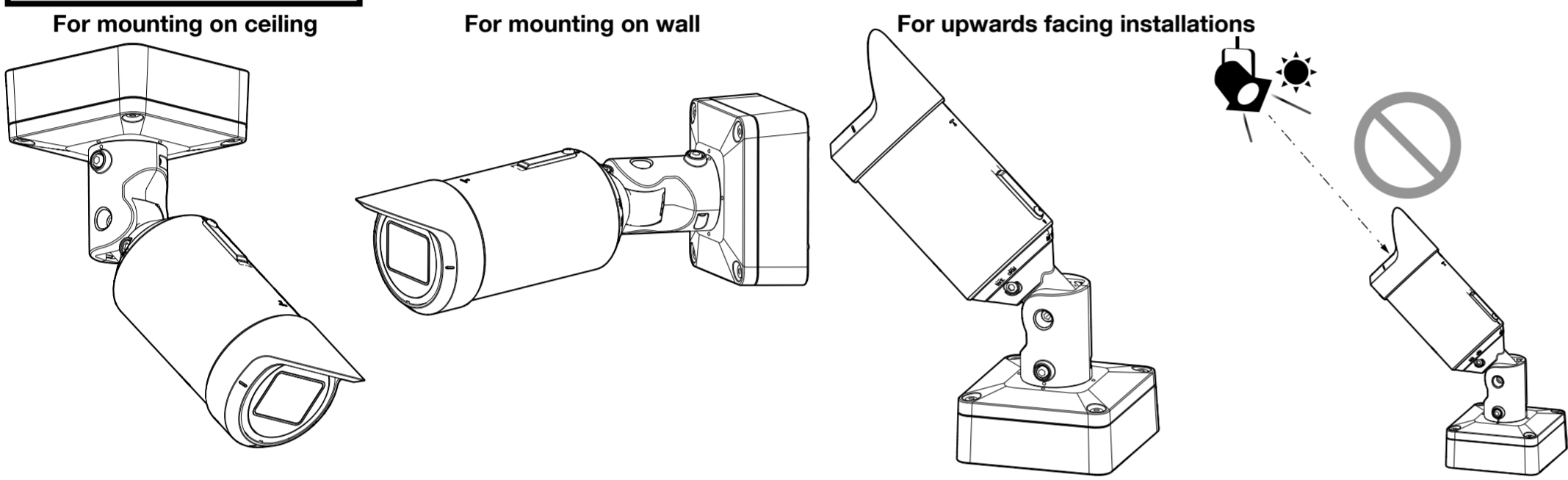


Installation Procedure

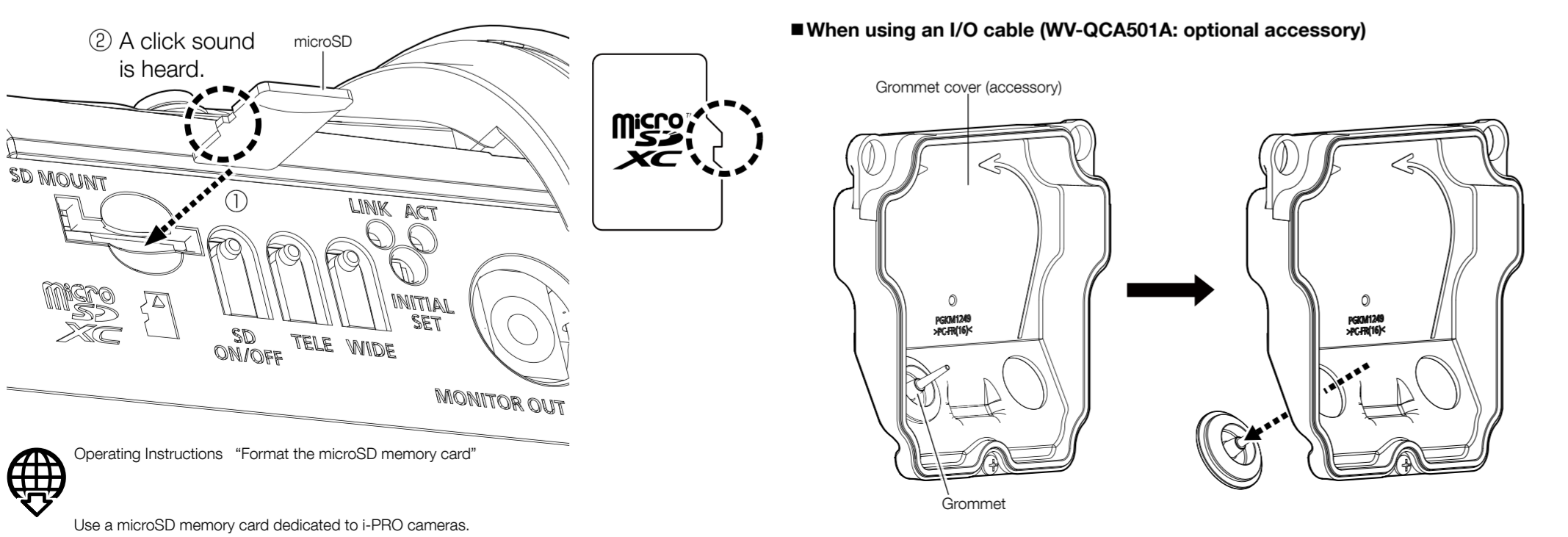
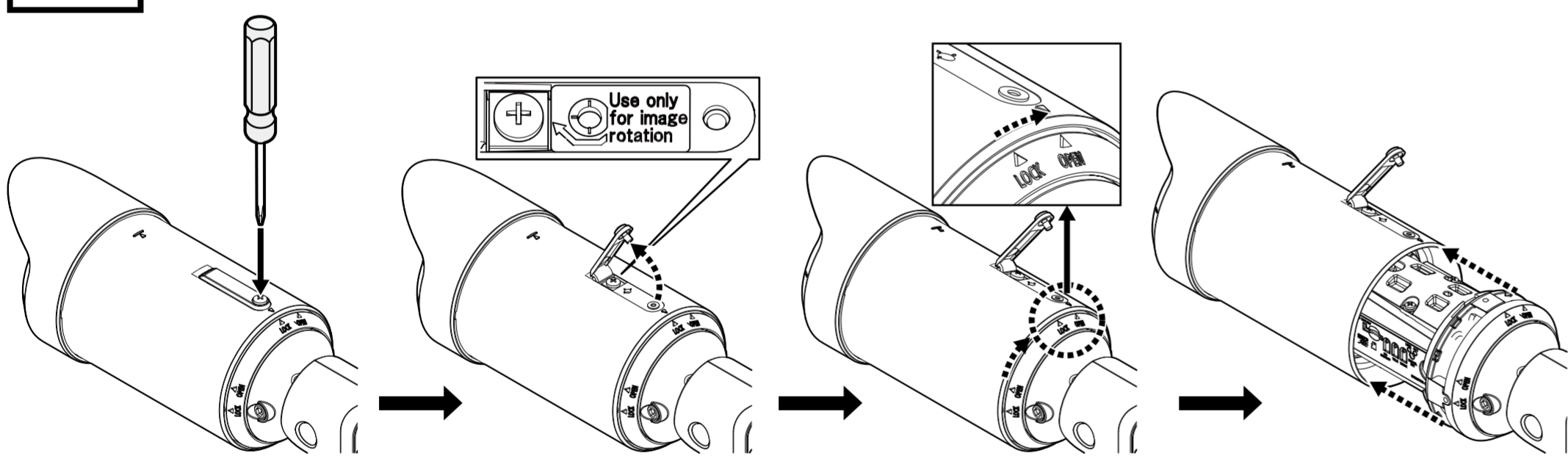
Parts and functions



Installation method



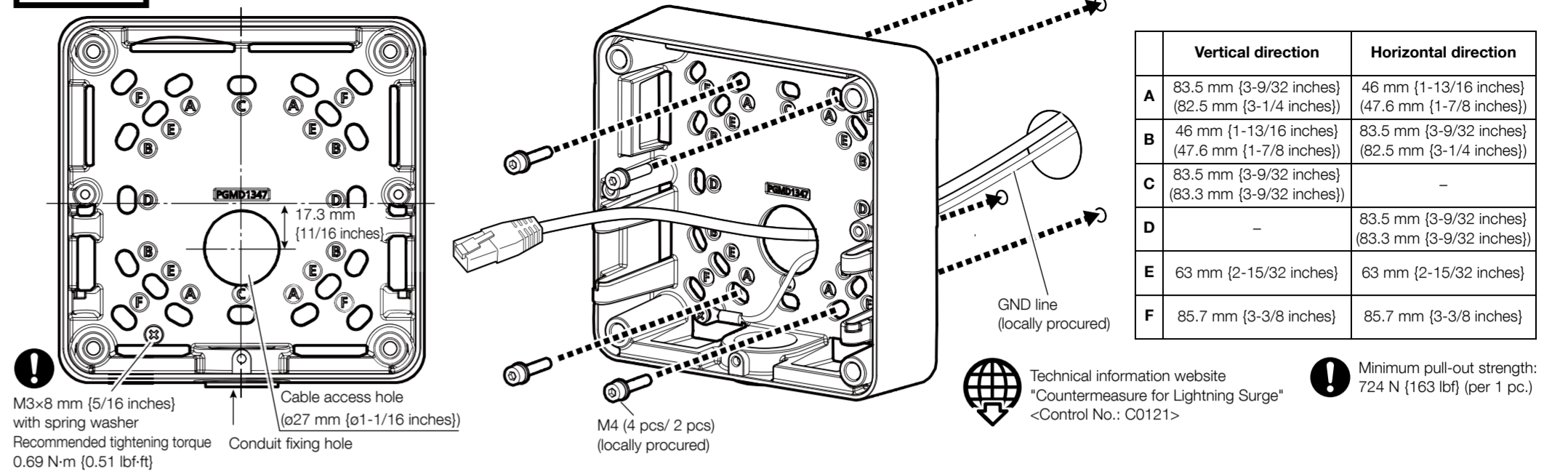
Step1 Preparations



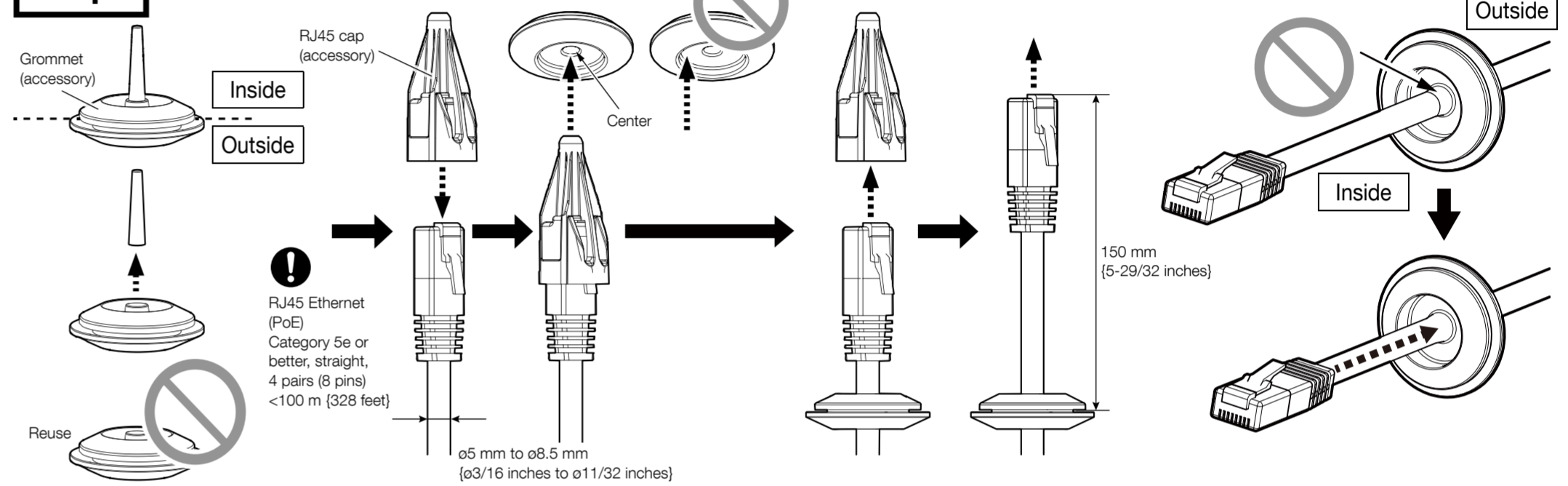
Operating Instructions "Format the microSD memory card"

Use a microSD memory card dedicated to i-PRO cameras.

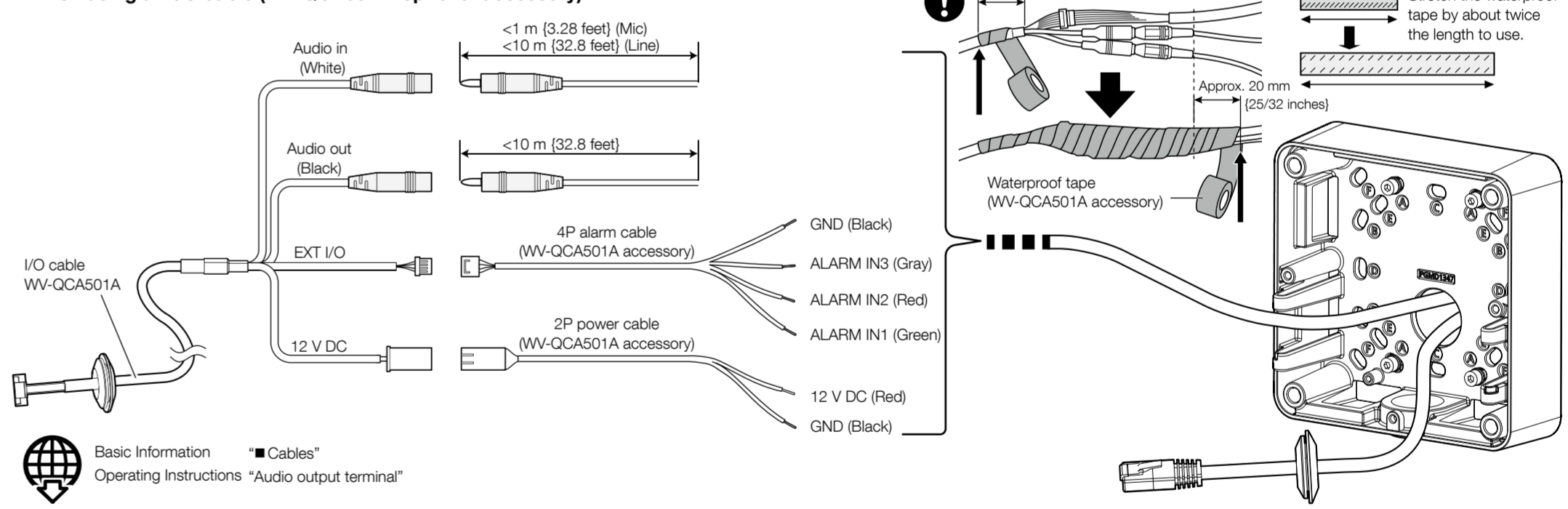
Step2



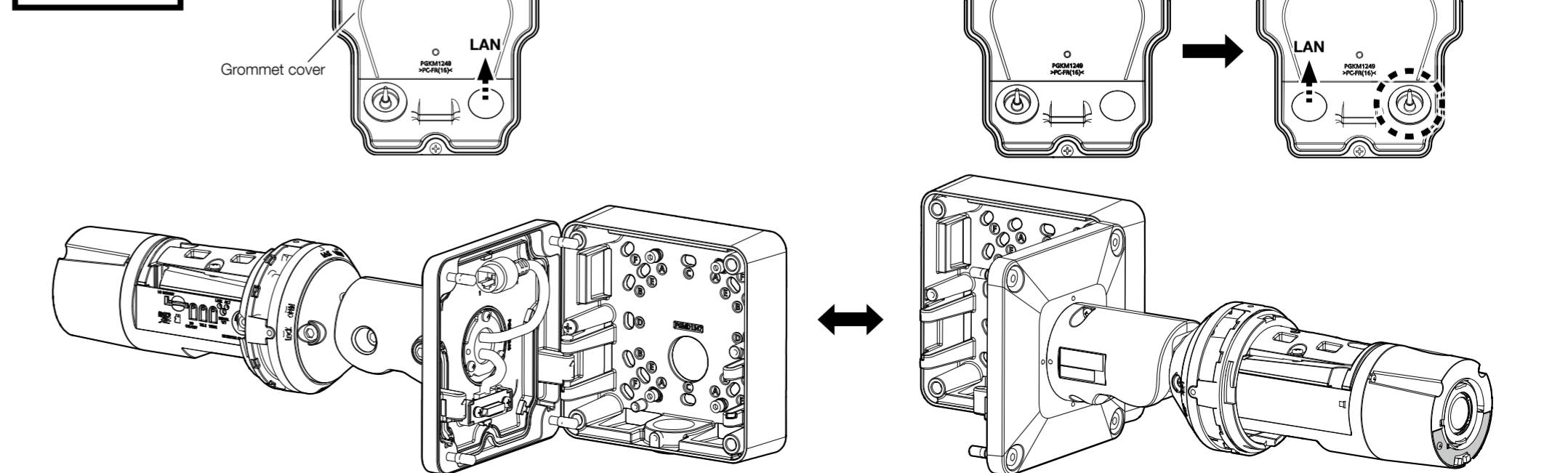
Step3



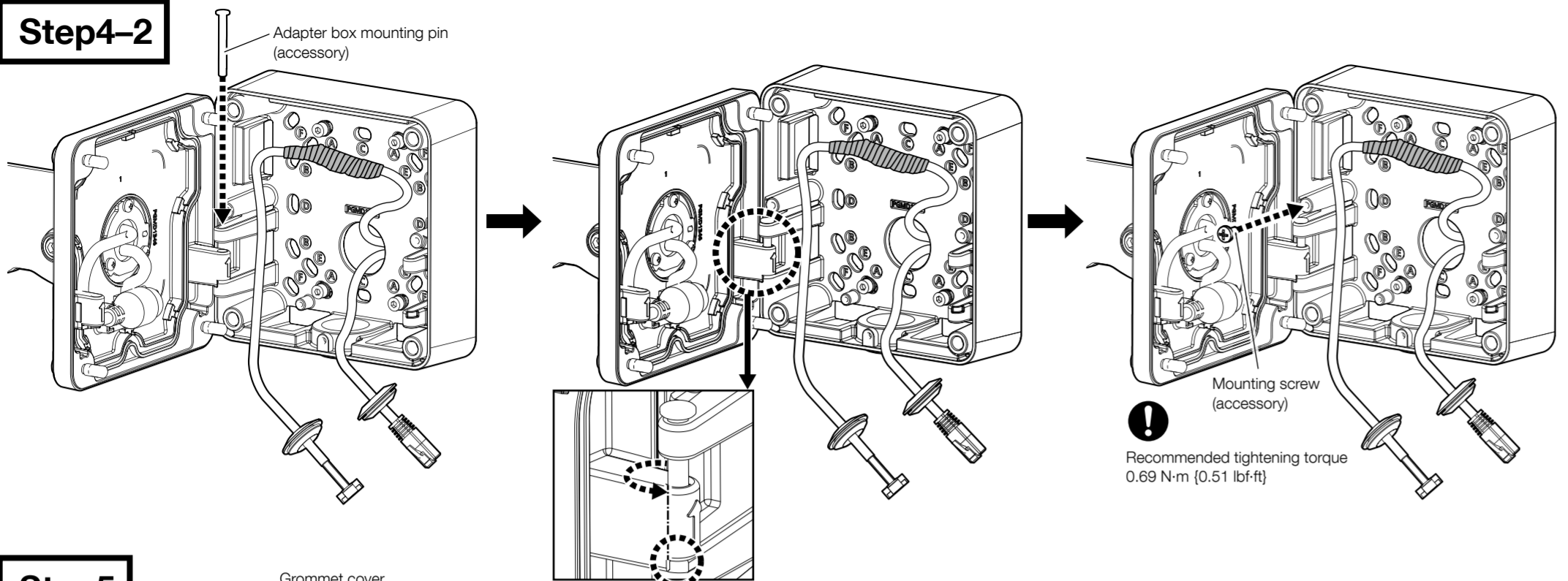
When using an I/O cable (WV-QCA501A: optional accessory)



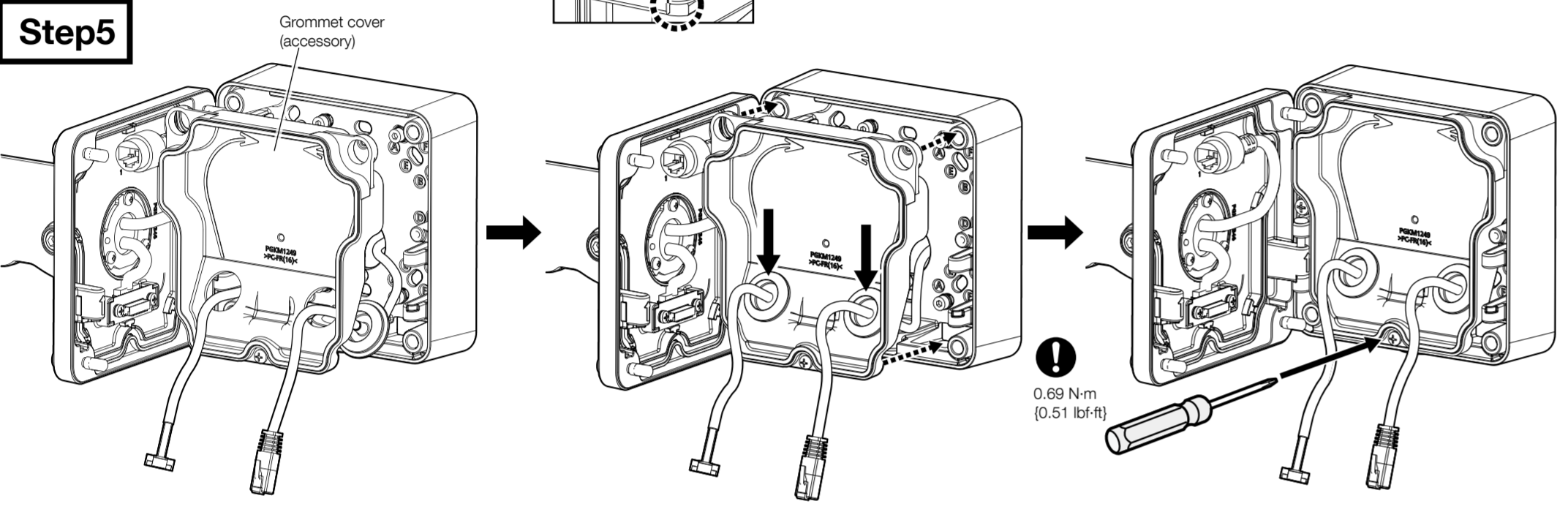
Step4-1



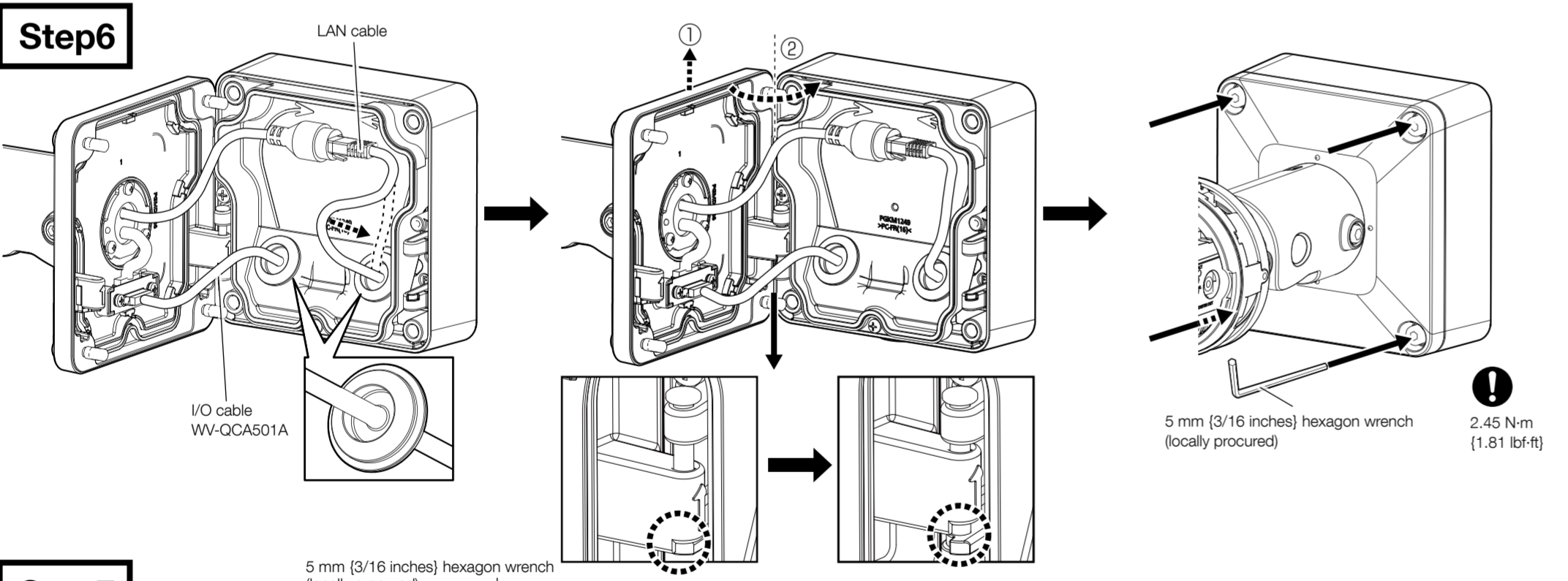
Step4-2



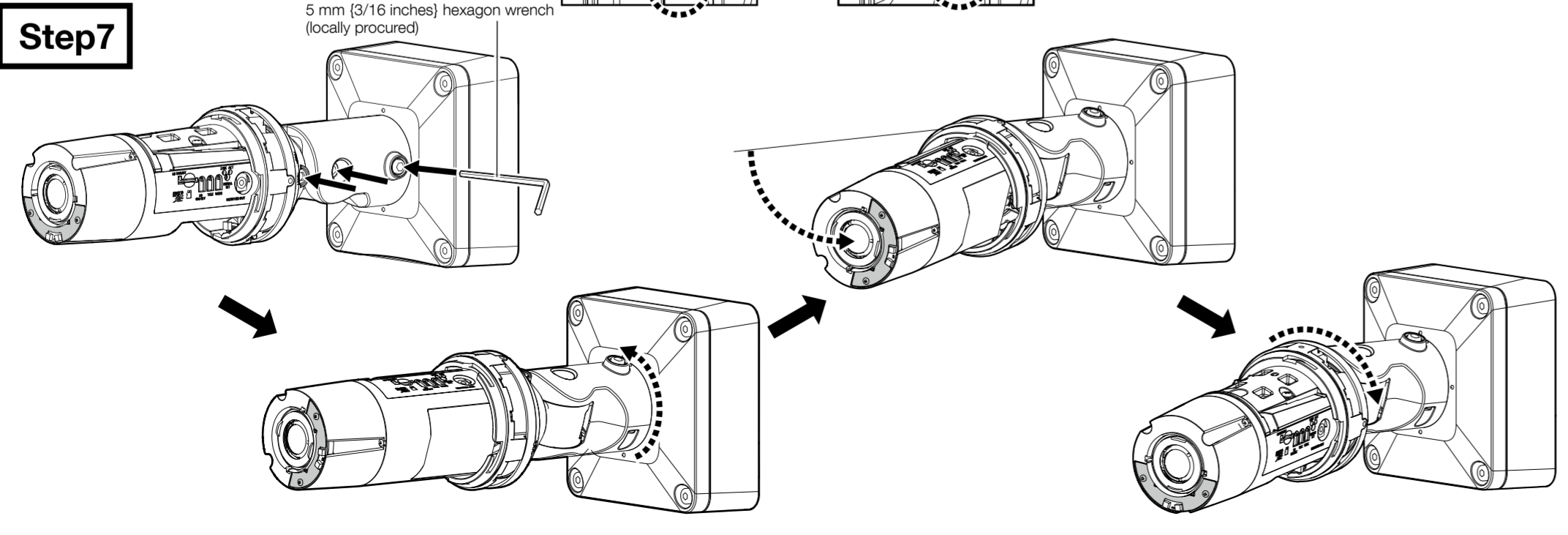
Step5



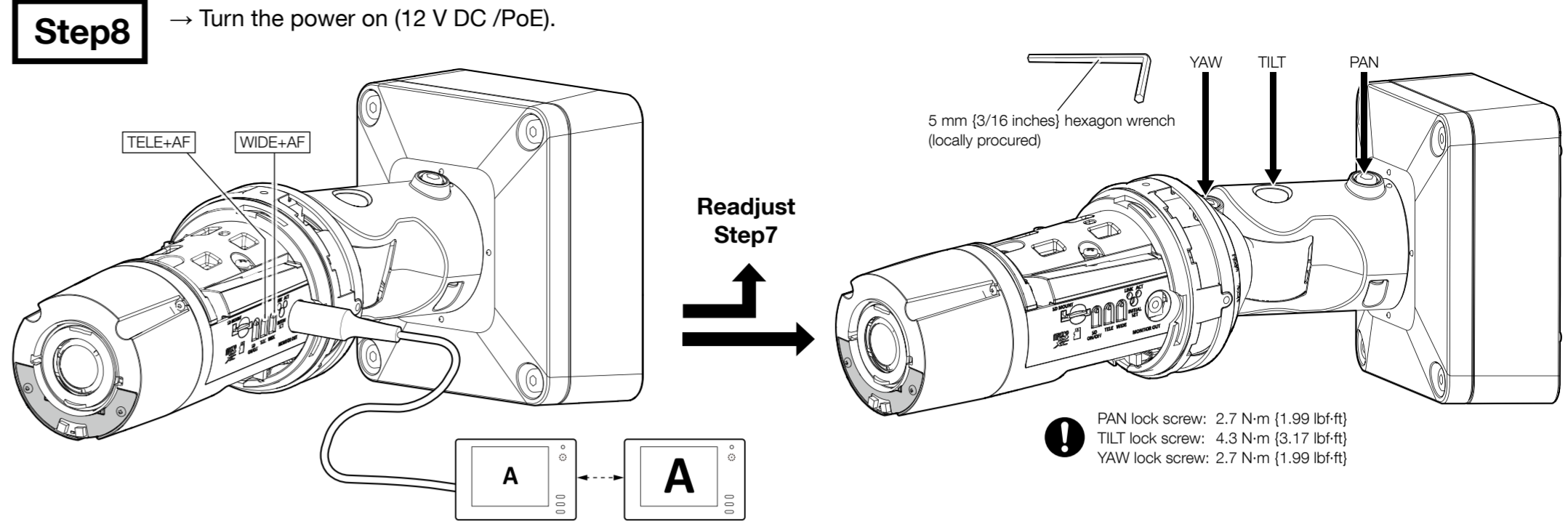
Step6



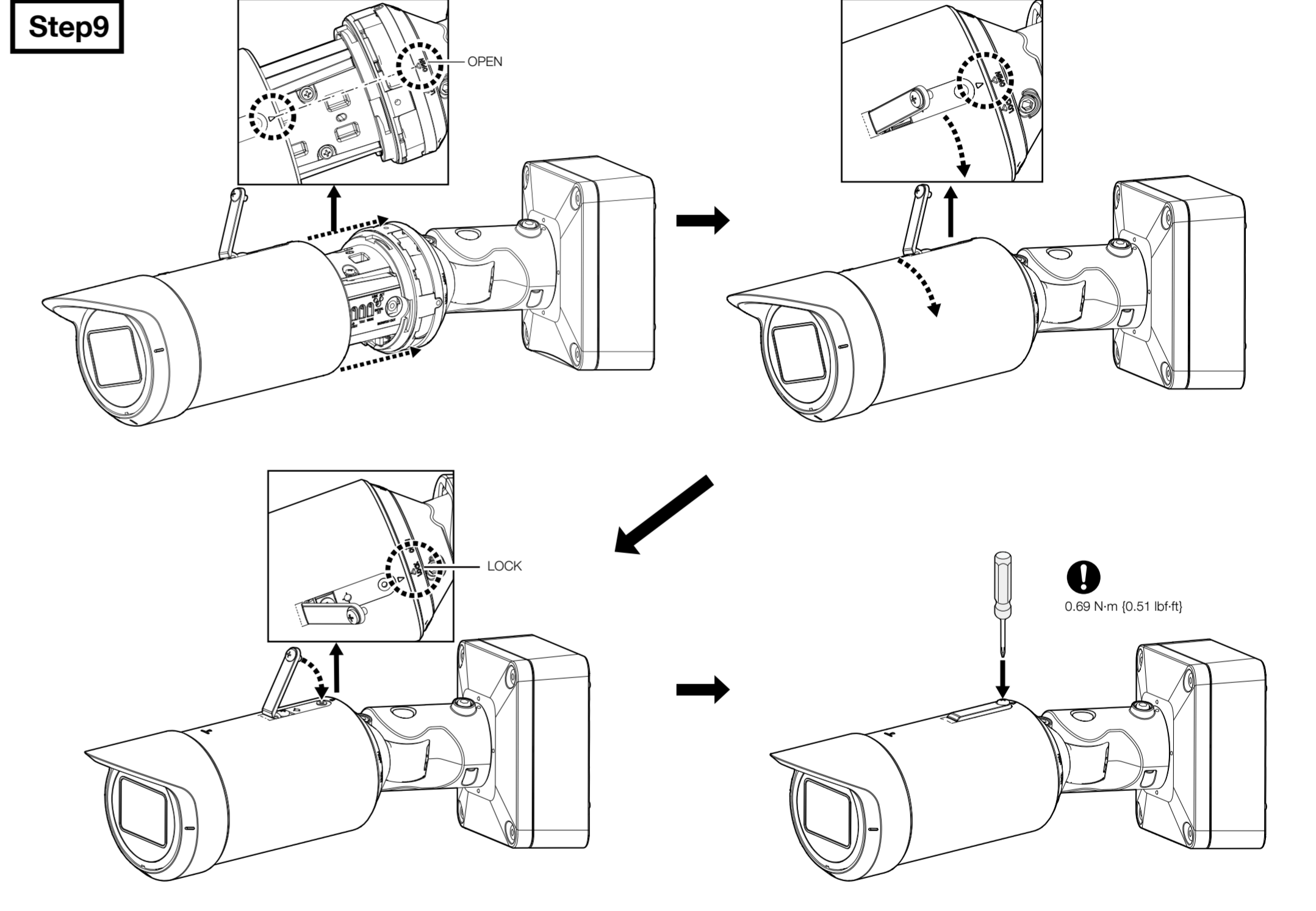
Step7



Step8



Step9



Step10

