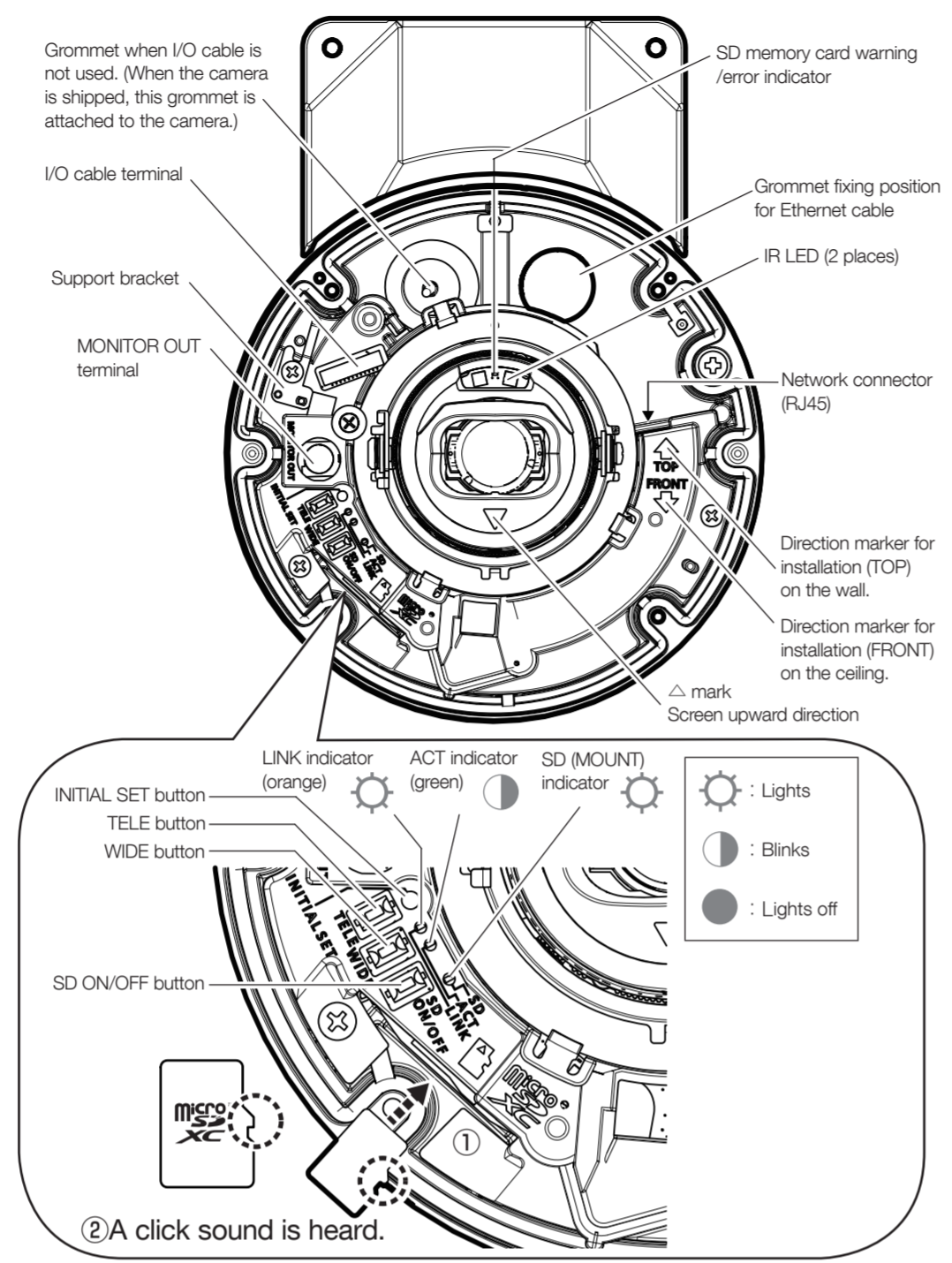
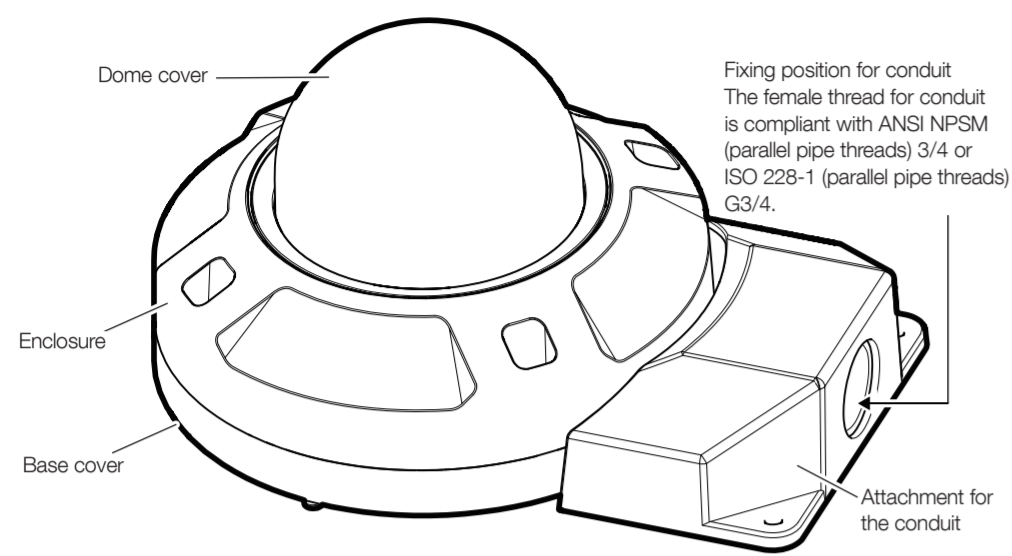


# Installation Procedure

PGQW2 3 6 4 X A \*  
 Ns1221-2082  
 Printed in China  
 Technical information website  
 Support website

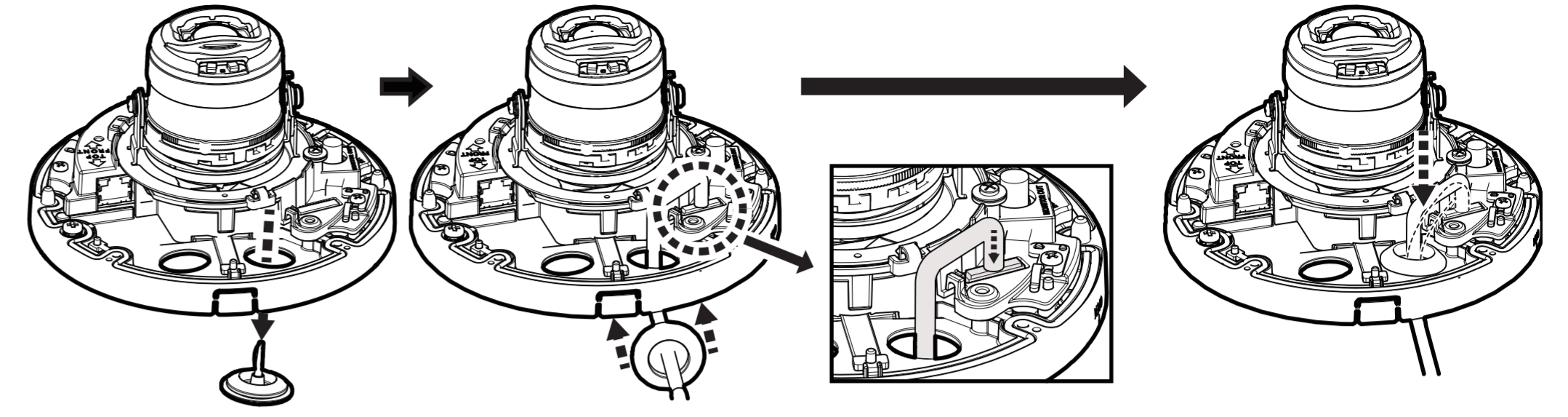
## Parts and functions



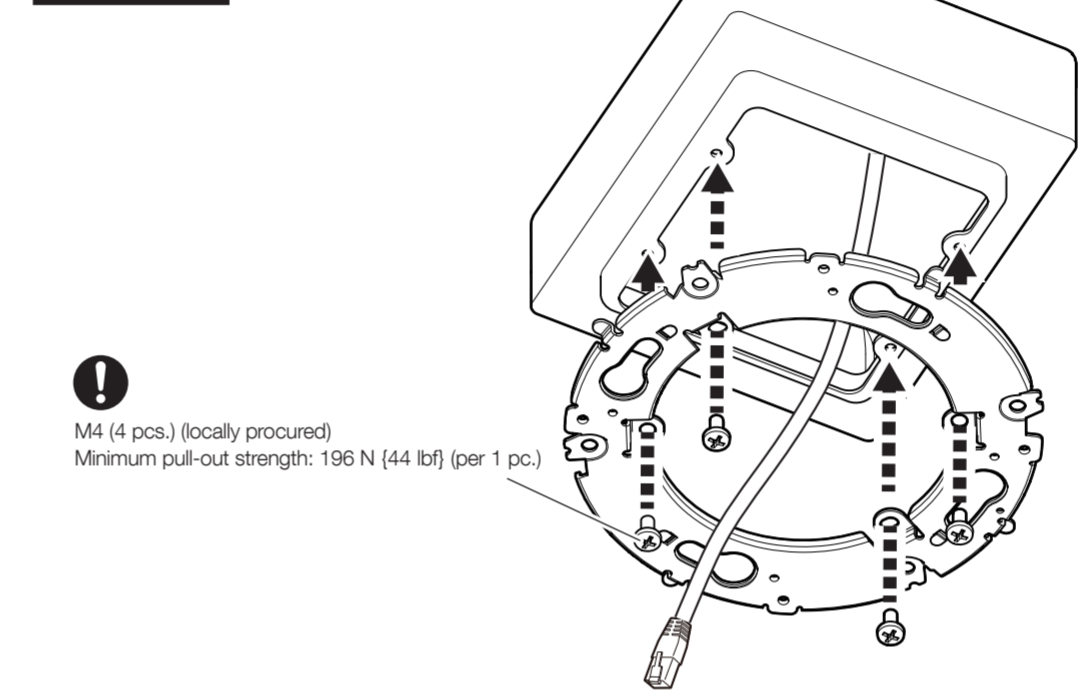
Operating Instructions "Indicators"  
 All off

Operating Instructions "Format the microSD memory card"  
 It is recommended to use a microSD memory card for I-PRO devices.

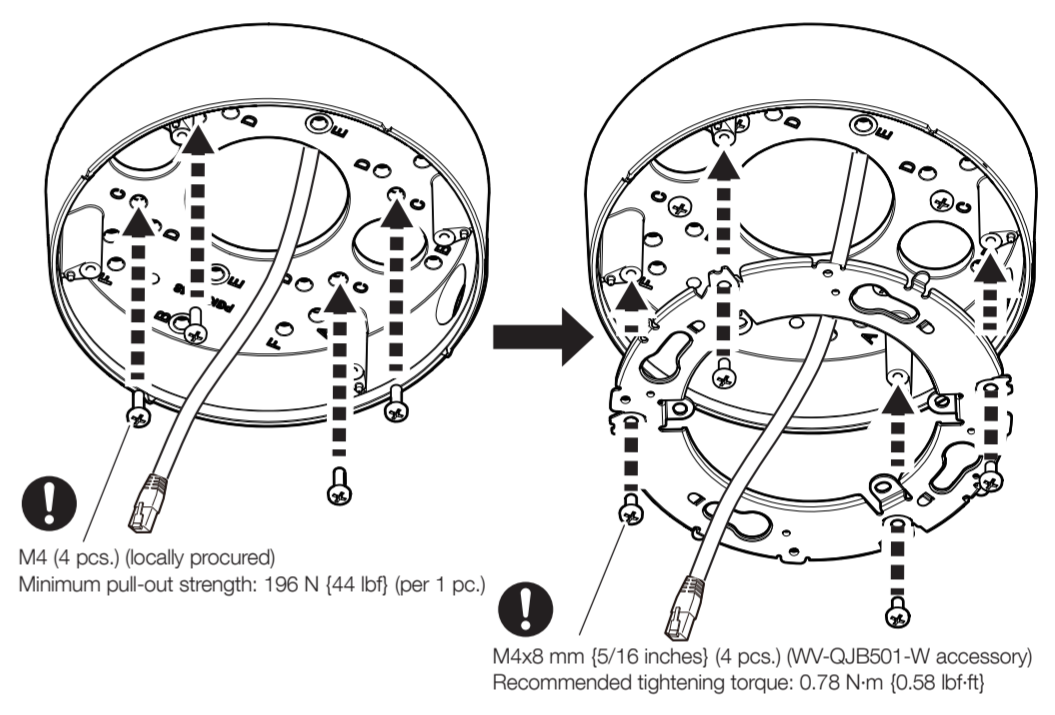
### When using an I/O cable (WV-QCA501A: optional accessory)



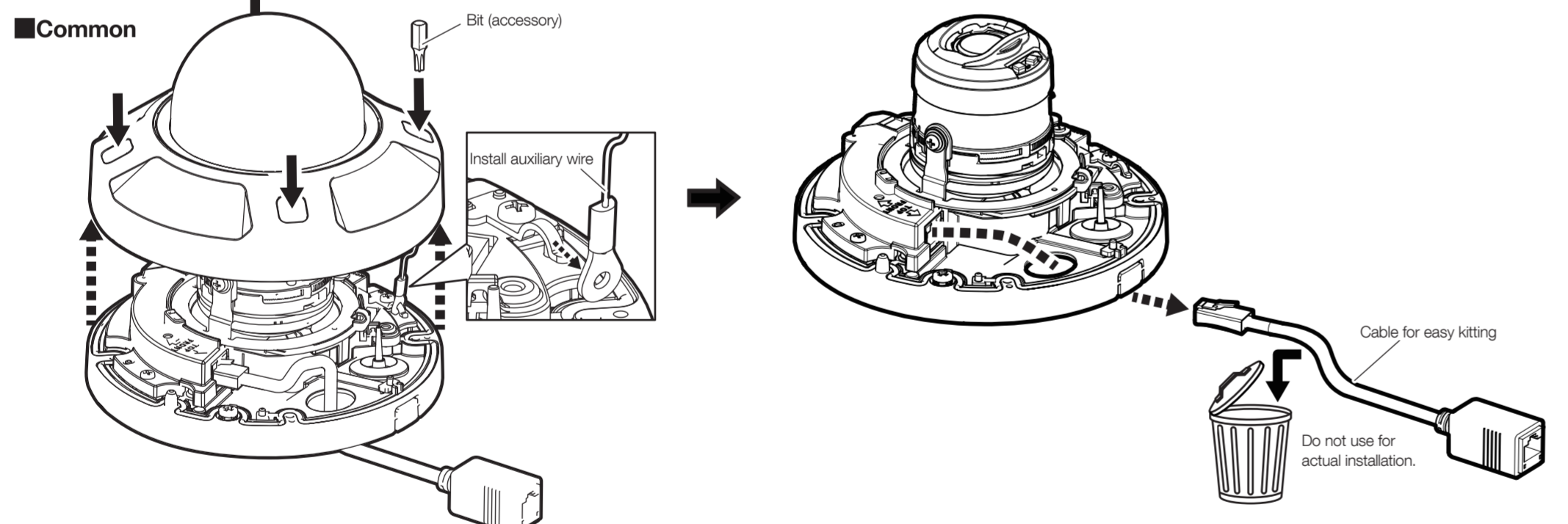
### Step2 Gangbox/ junction box



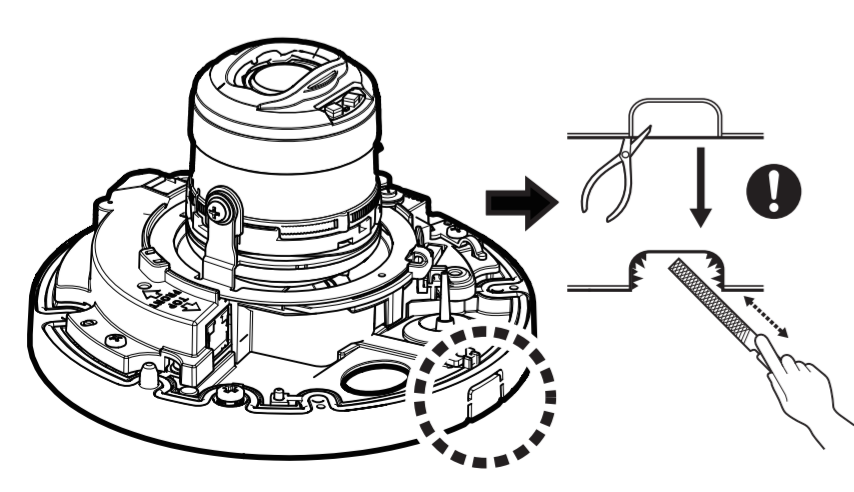
### Base bracket (WV-QJB501-W)



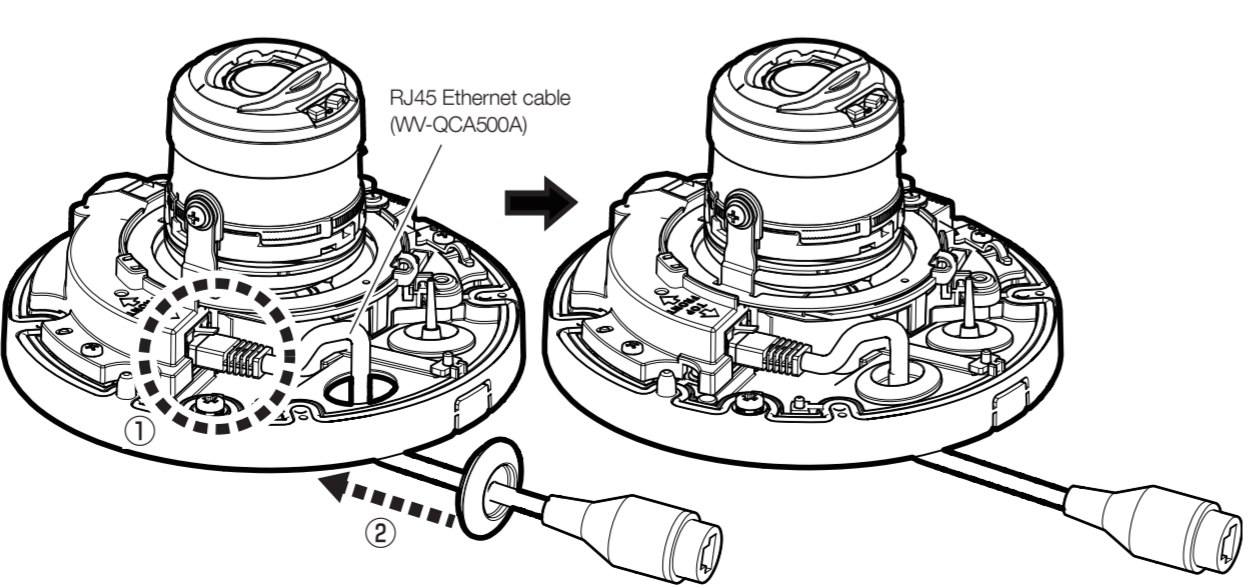
## Step1 Preparations



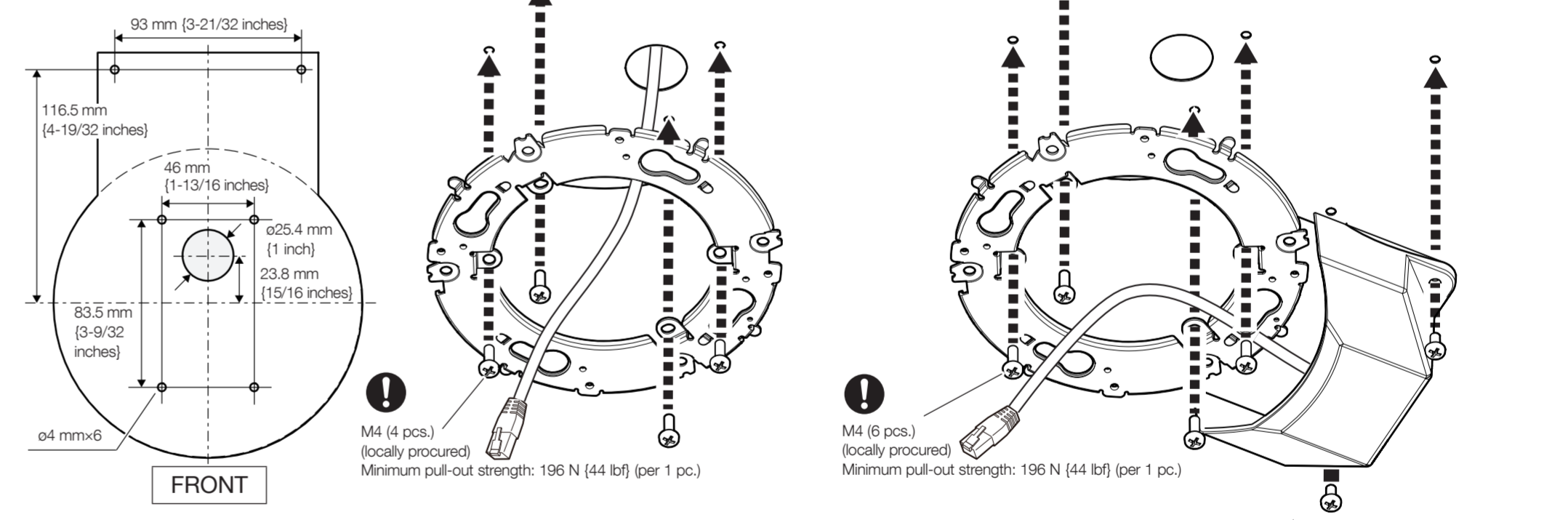
### When using attachment for the conduit



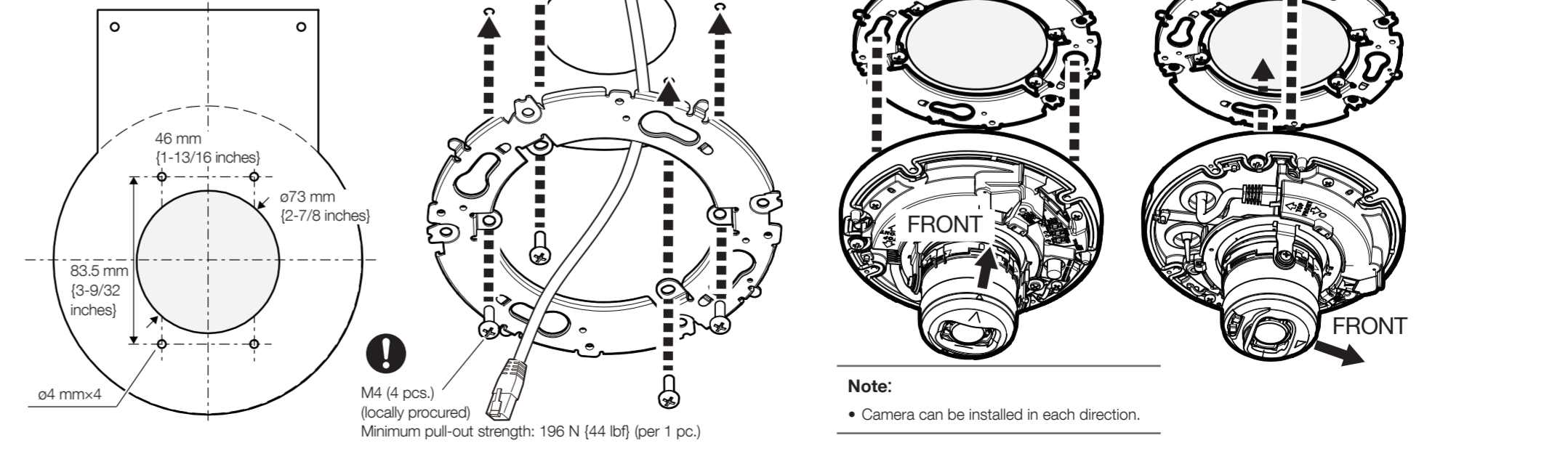
### When using a RJ45 Ethernet cable (WV-QCA500A: optional accessory)



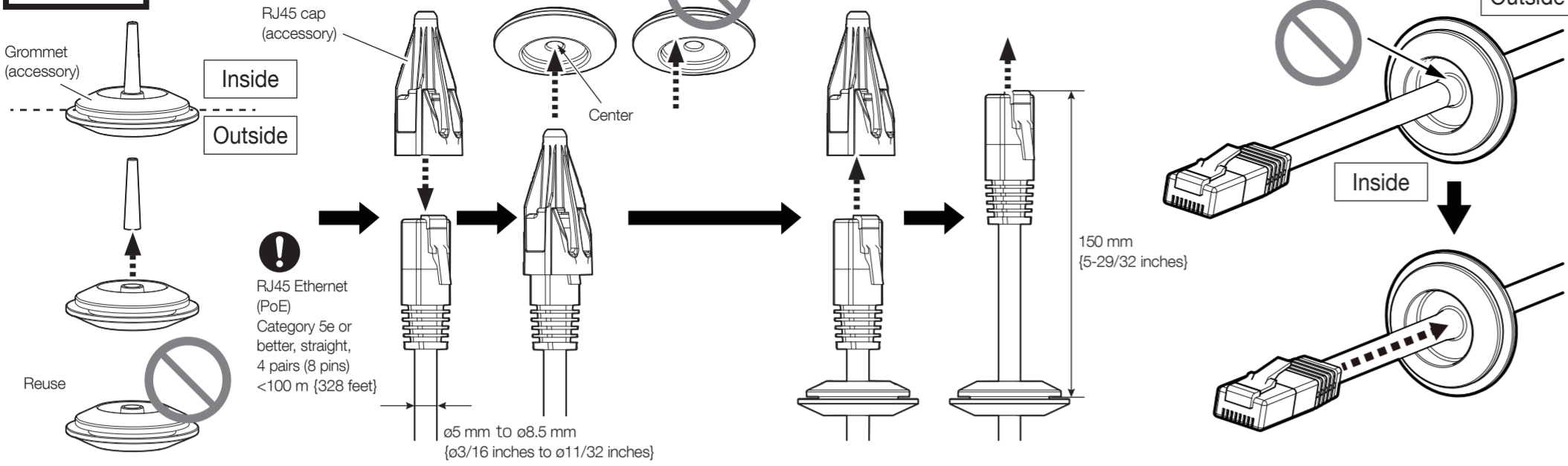
### Directly mount the camera



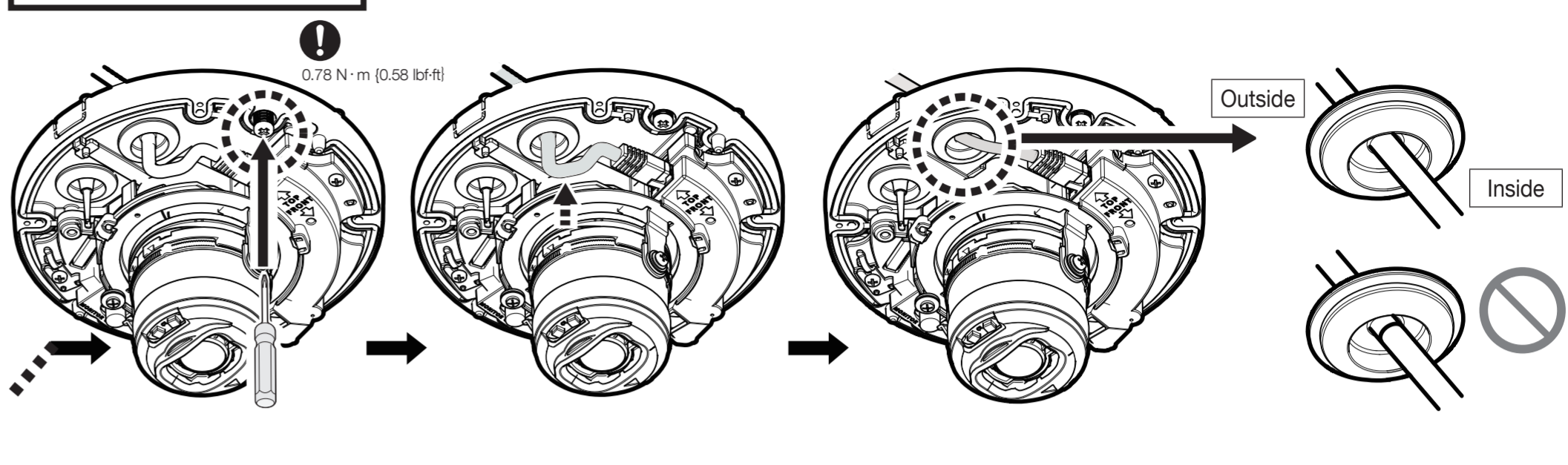
If you want to change the direction of the camera after it has been installed.



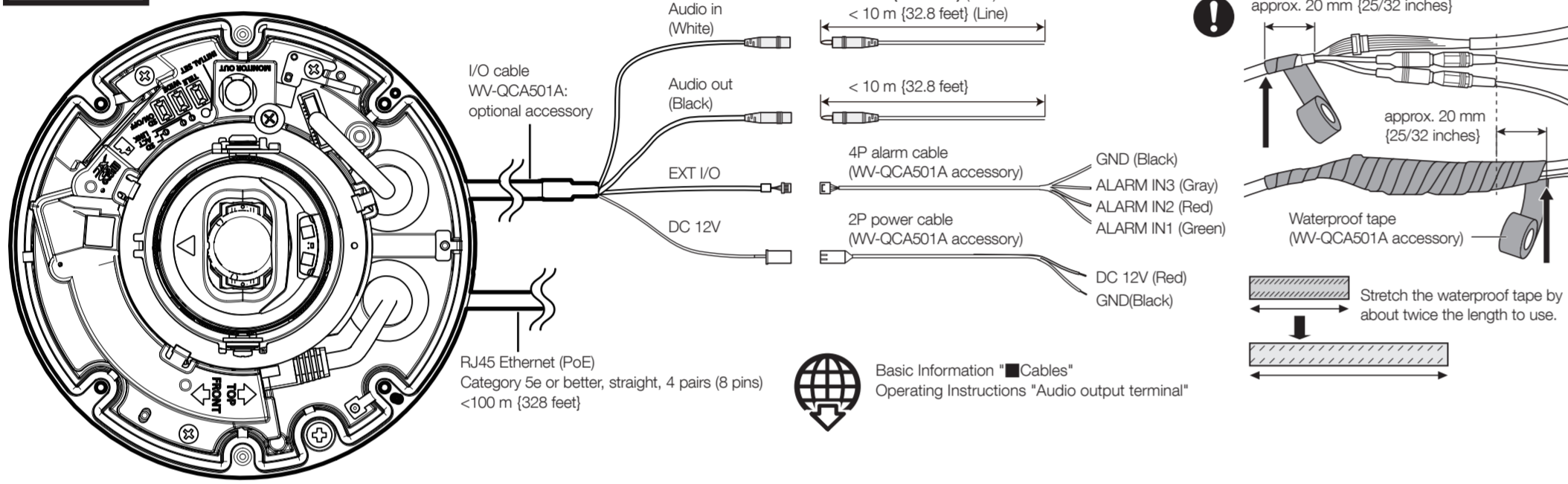
### Step3



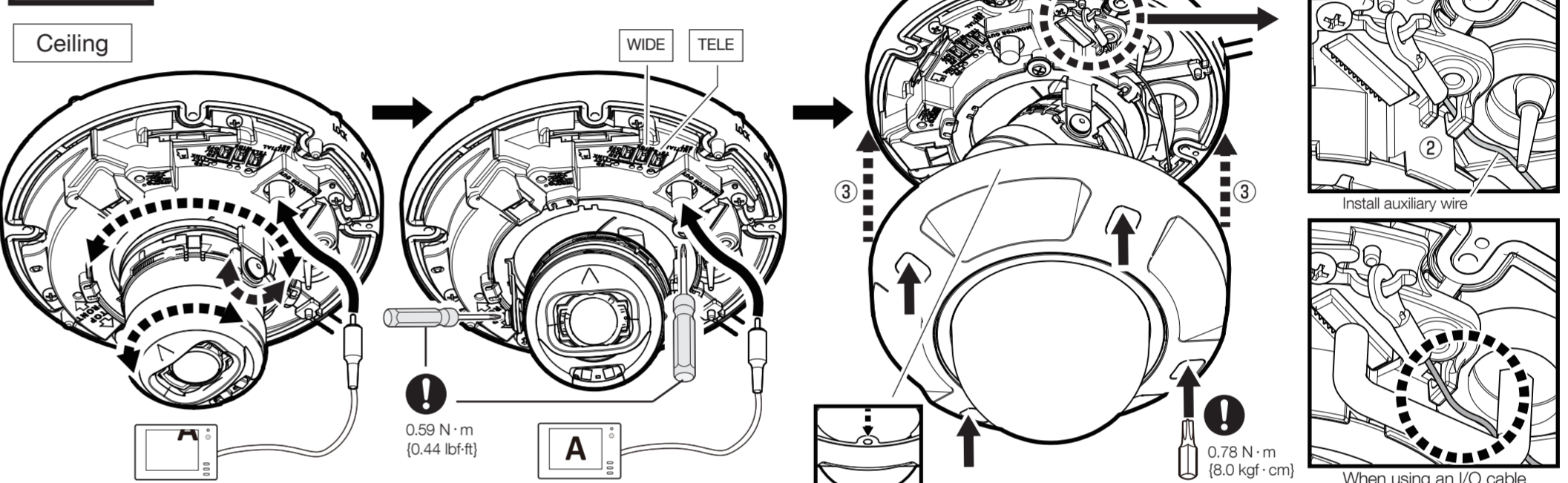
### Step5 (Continued)



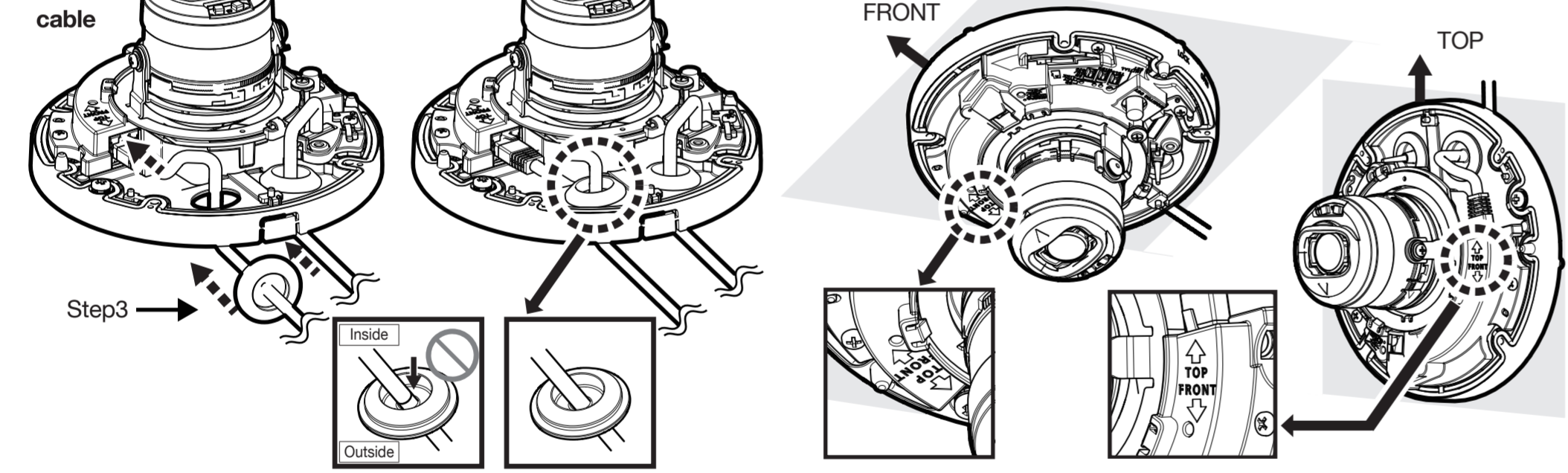
### Step4



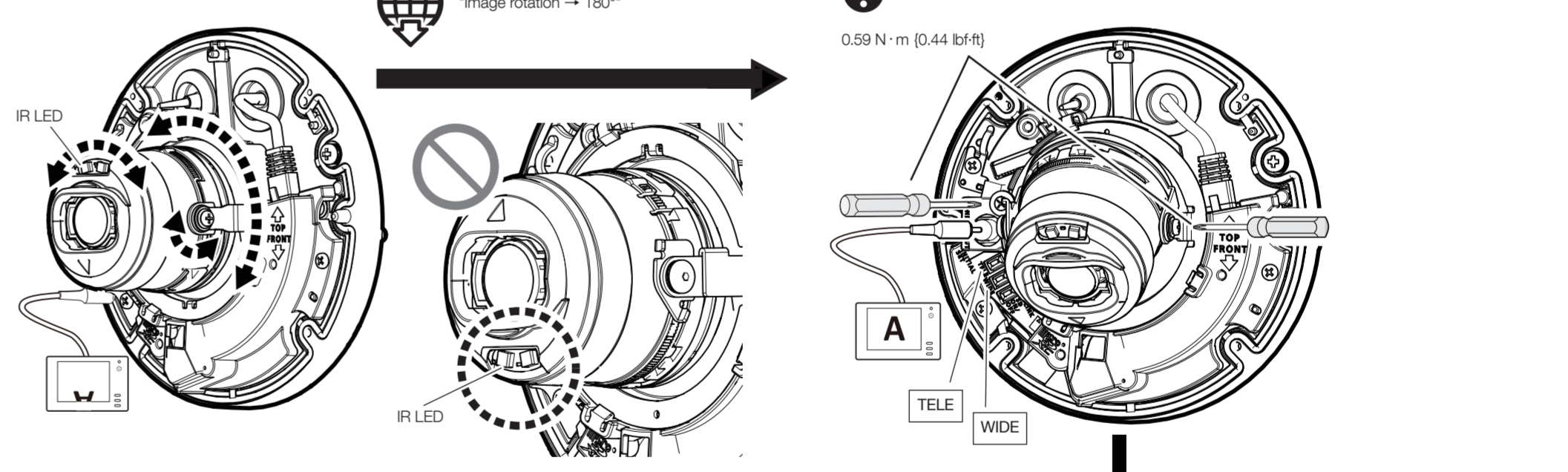
### Step6



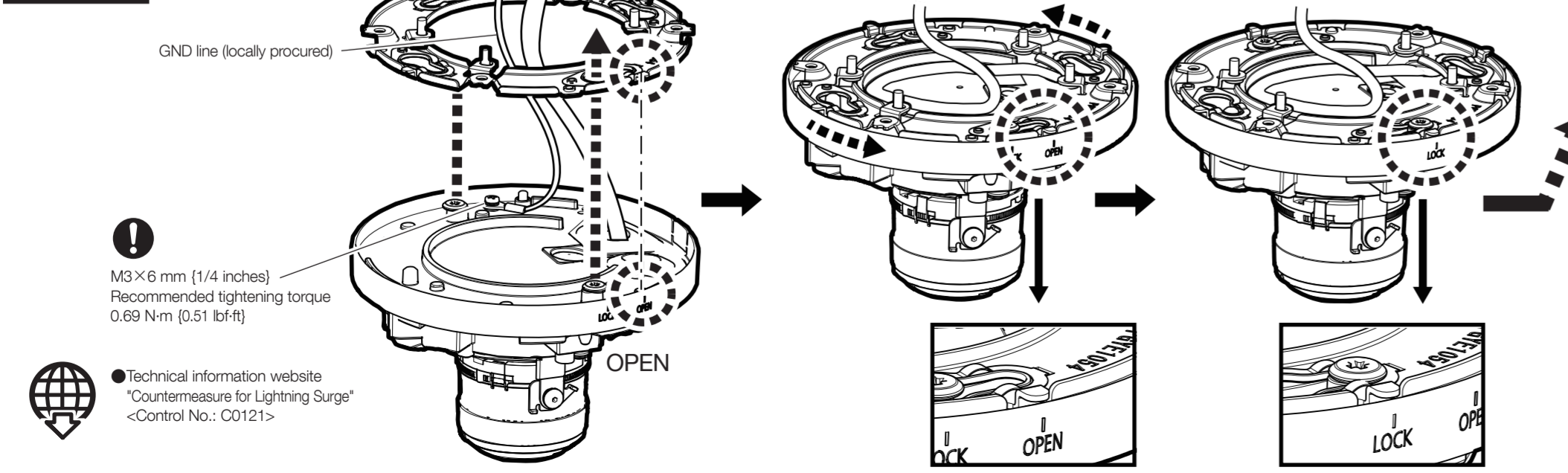
### RJ45 Ethernet cable



### Wall



### Step5



### Step7

