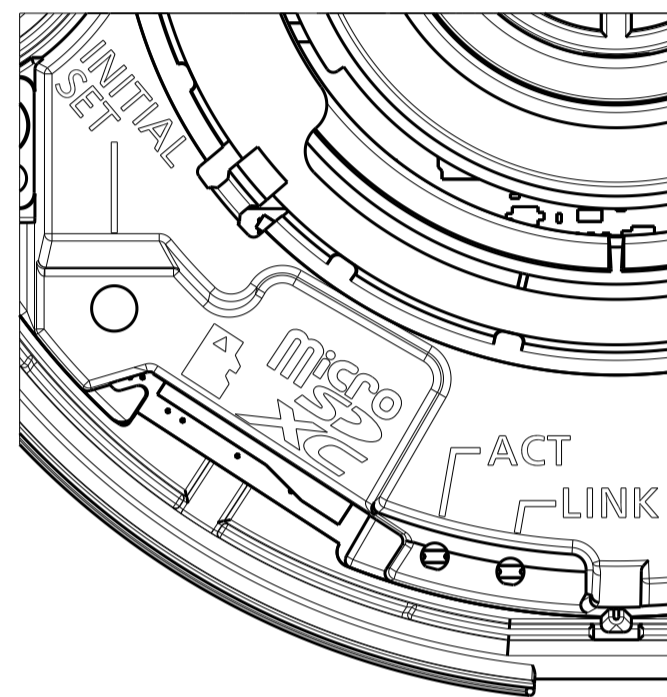


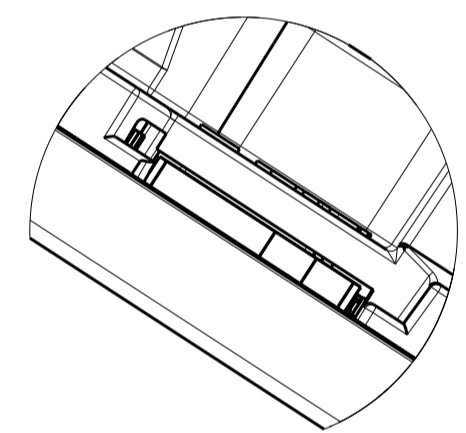
Template for mounting

Mass : Approx. 250 g {0.55 lbs}

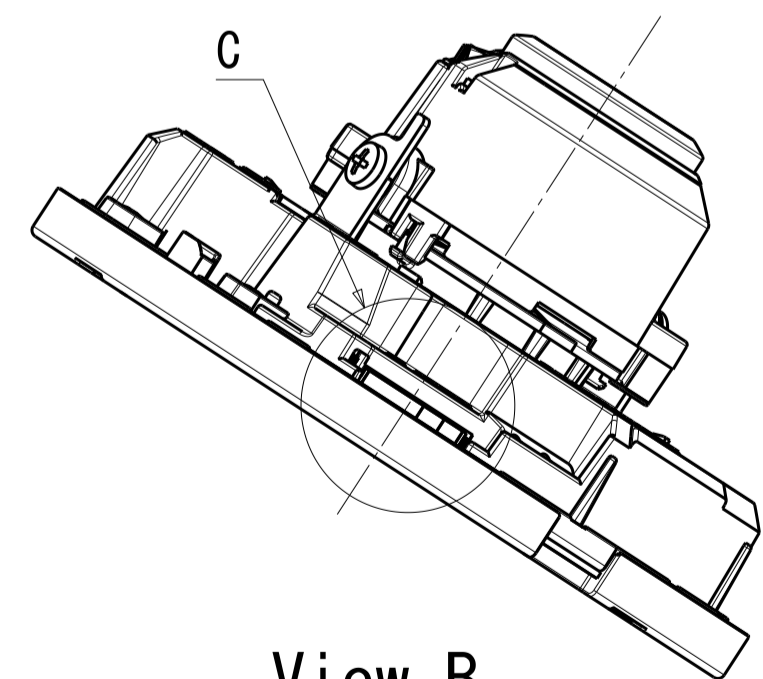
WV-U2140LA



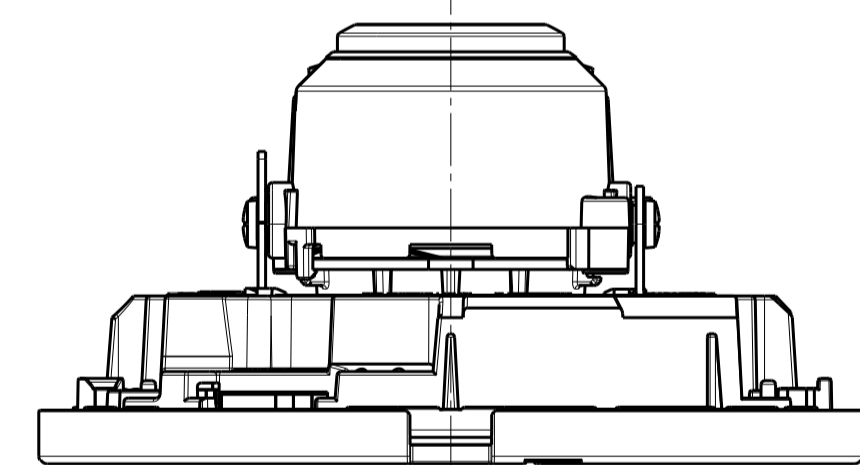
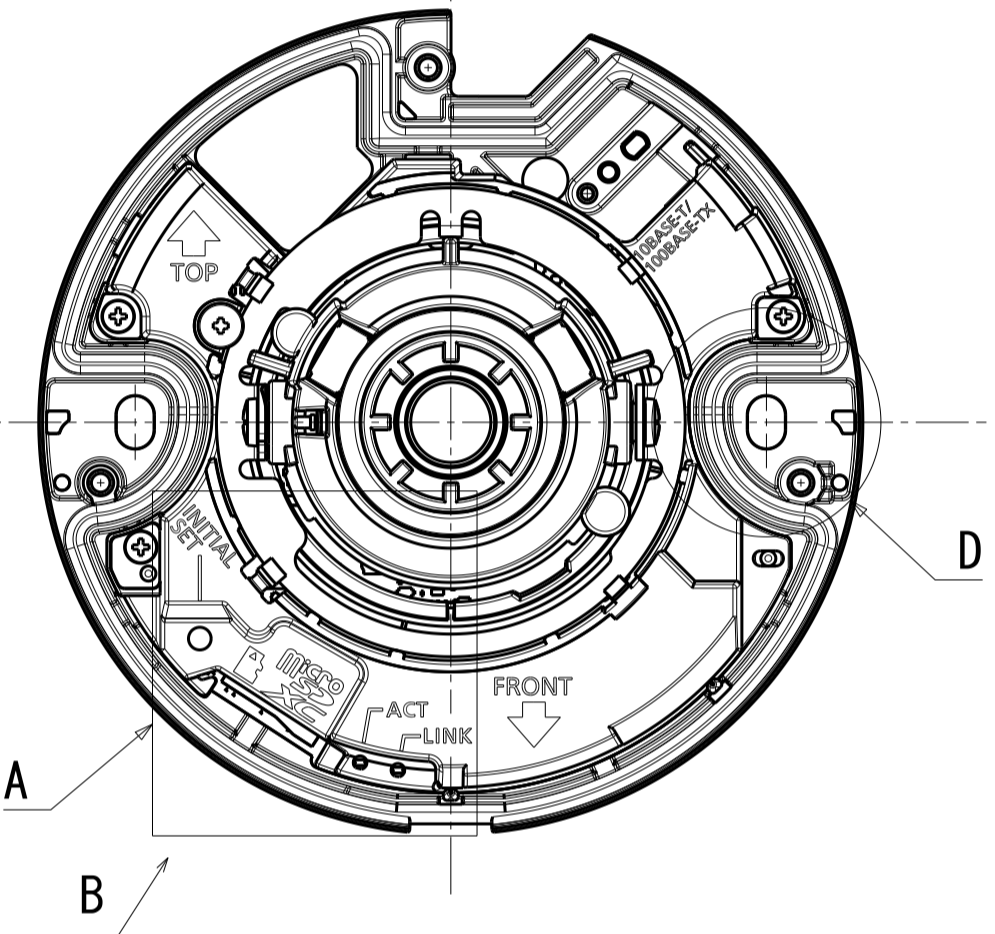
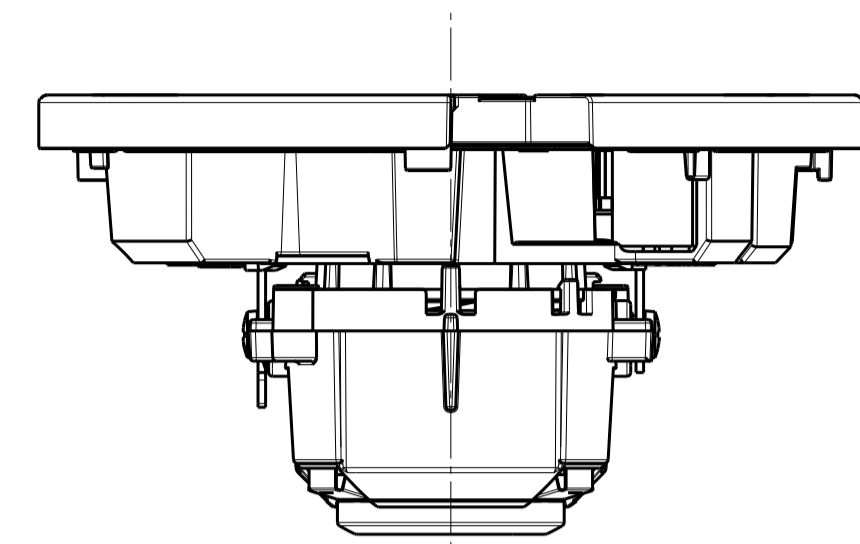
Detail A (2:1)



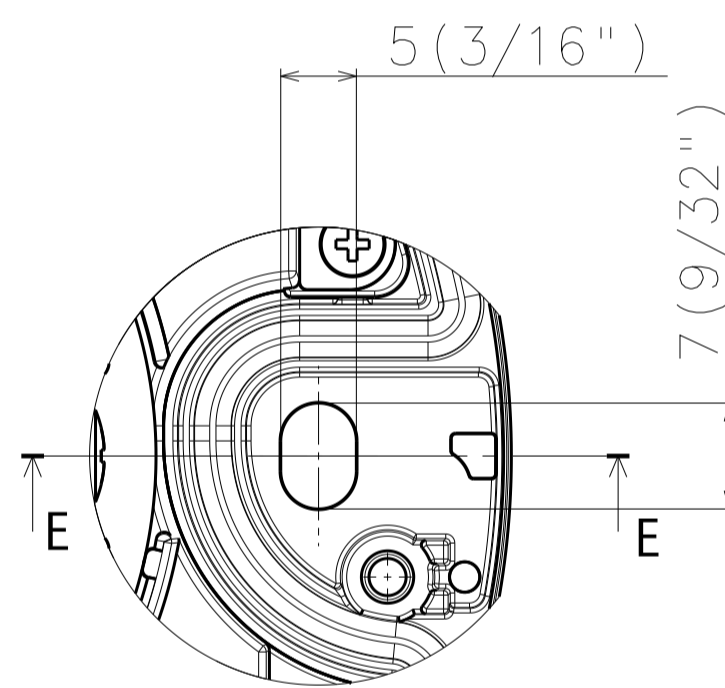
Detail C (2:1)



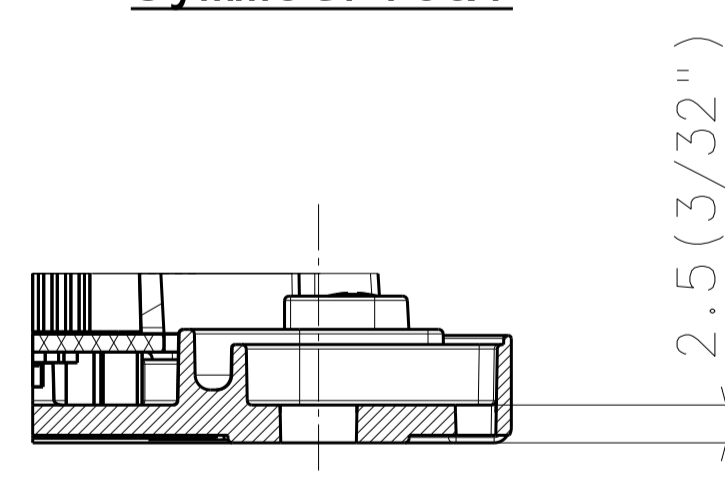
View B



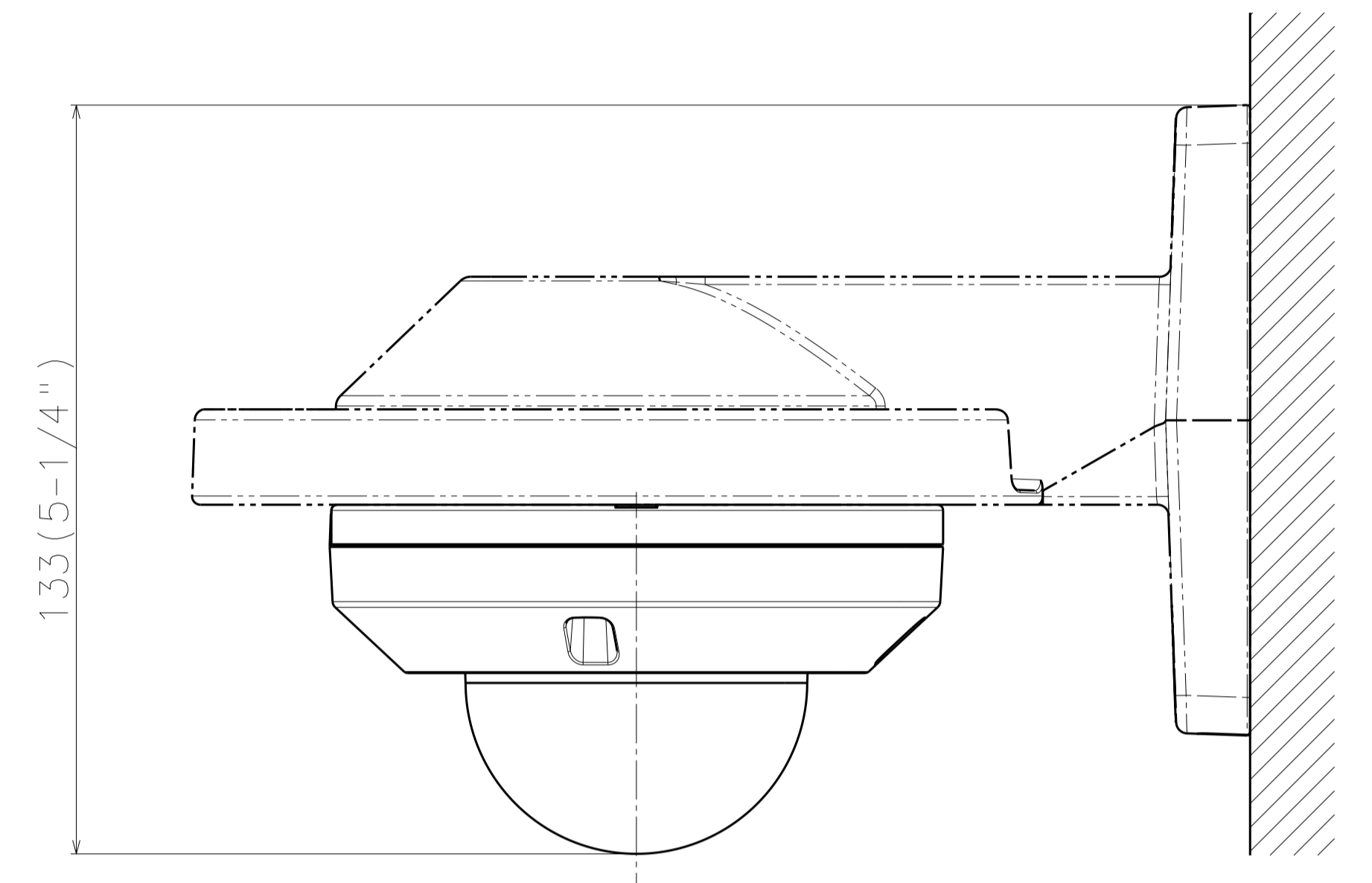
Without Enclosure



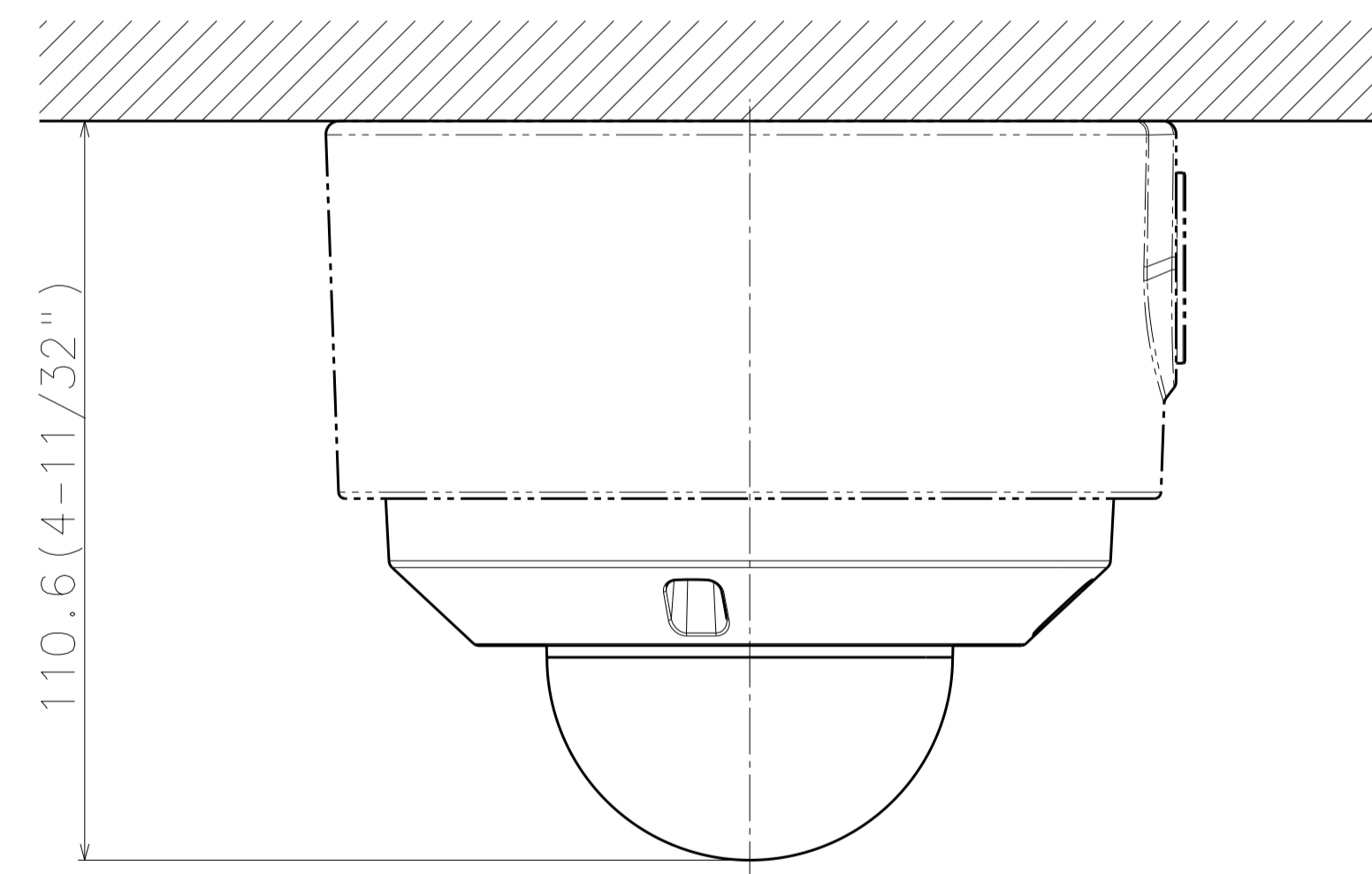
Detail D (2:1)
Symmetrical



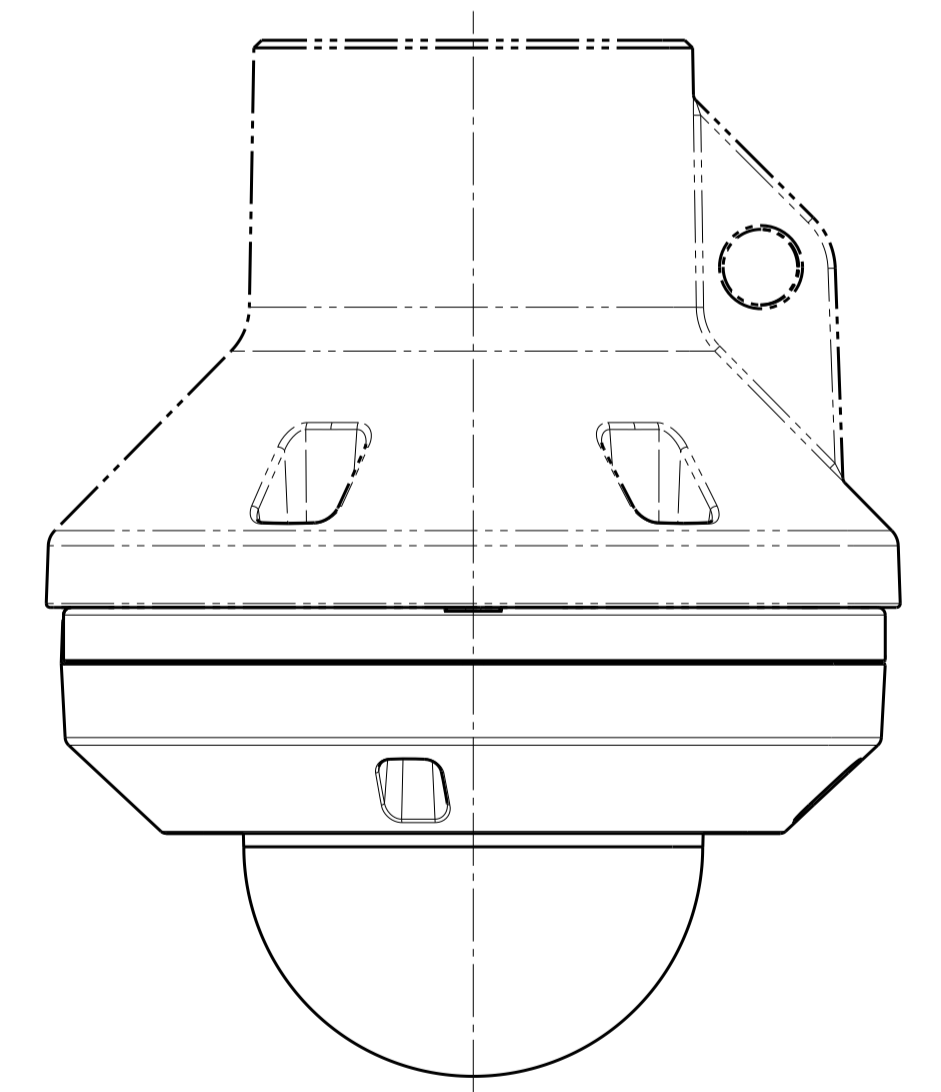
SEC E-E (2:1)
Symmetrical



Attach to WV-QWL500-W



Attach to WV-QJB502-W



Attach to WV-QCL100-W