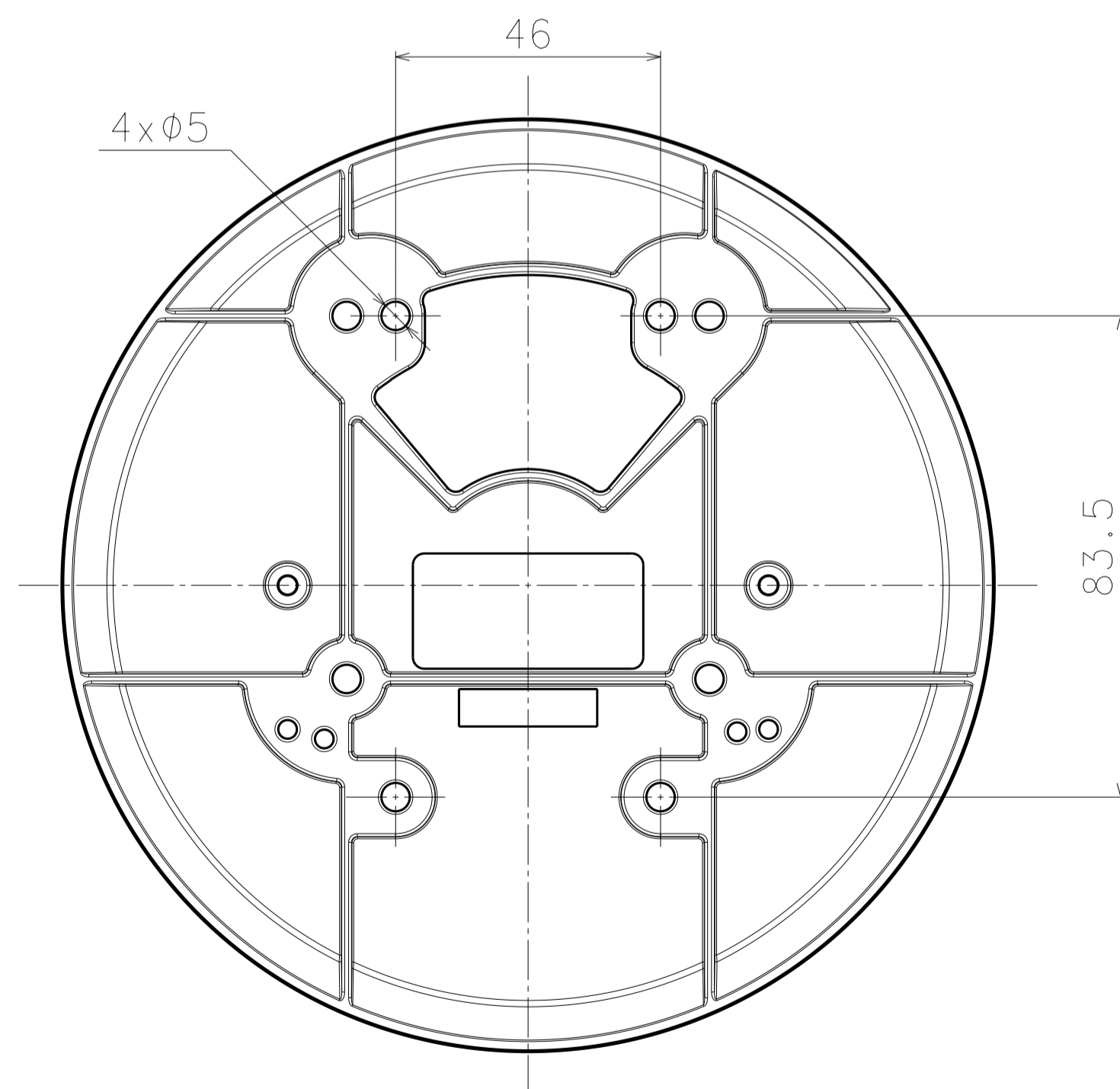


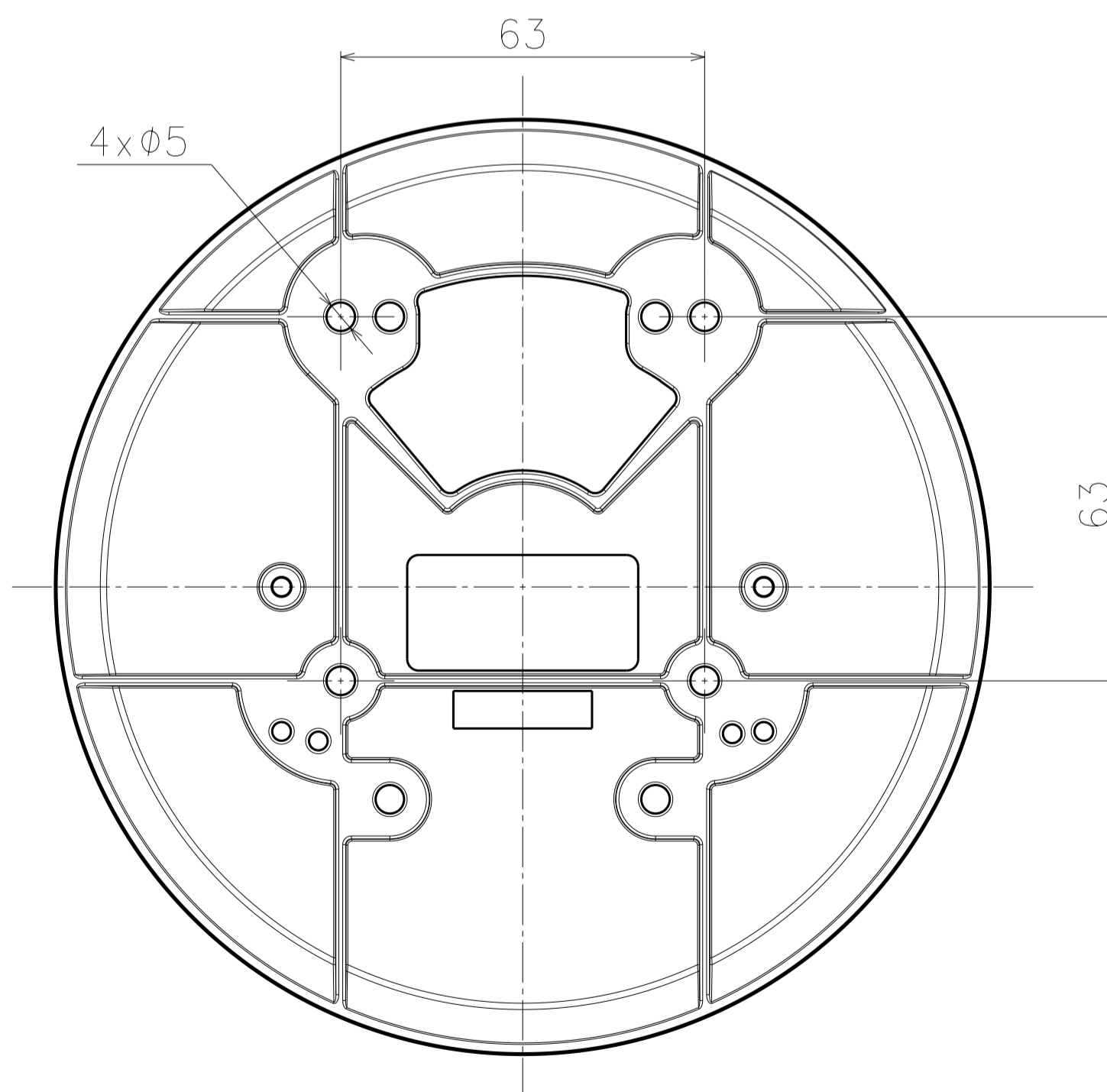
Attach to WV-S3531L & 2-Gang Box (S=1:2)

側面圖/Side-view	投影面積/Projected area 0.006 (m ²)
---------------	--

2-Gang Box

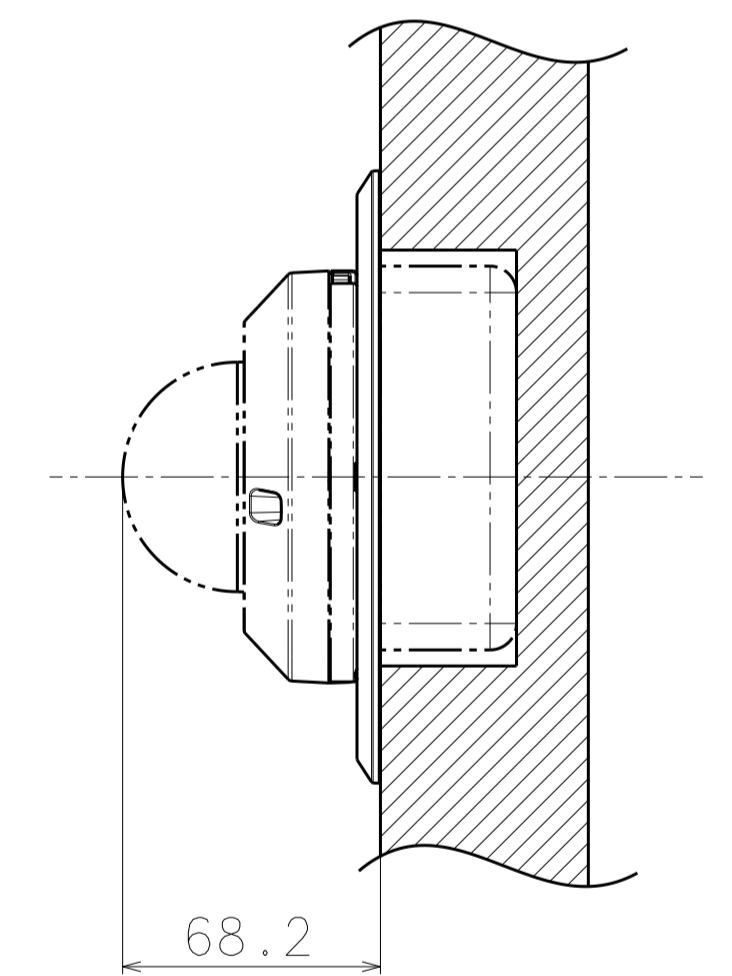


Octagon Box



側面圖/Side-view	投影面積/Projected area 0.001(m ²)
---------------	---

Weight : Approx. 144 g {0.32 lbs}



Attach to WV-U2530L & 2-Gang Box (S=1:2)

側面圖/Side-view	投影面積/Projected area 0.006 (m ²)
---------------	--

Model number	Color
WV-QAT502-W (WV-QAT502-WZYS)	i-PRO white
WV-QAT502-G (WV-QAT502-GZYS)	Light gray